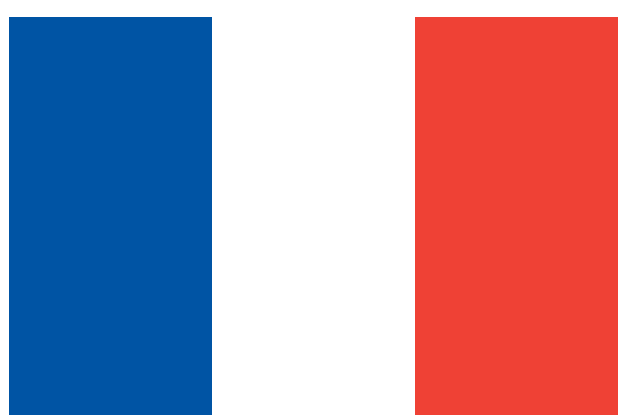
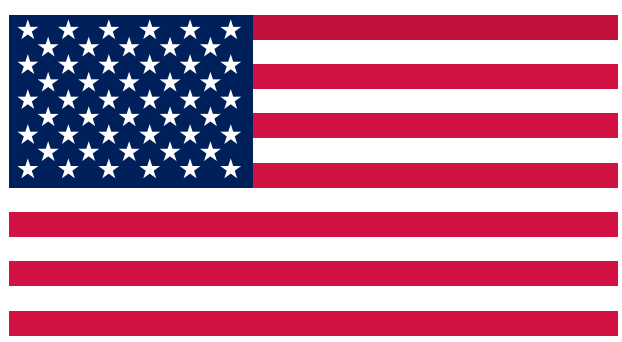


# **KICKER**<sup>®</sup>

**Owner's Manual**  
**Manual del Propietario**  
**Manuel d'utilisation**  
**Benutzerhandbuch**

KEY200.4  
4-Channel DSP Amplifier



# Contents

---

Overview .....	3
Specifications .....	4
Installation .....	5
Mounting .....	5
Wiring .....	6
Operation .....	10
Features .....	10
KEY Auto Setup .....	14
Auto Setup FAQ .....	17
Error Codes .....	19
Troubleshooting .....	20
Warranty .....	21

# Overview

---

## **IMPORTANT SAFETY WARNING**

PROLONGED CONTINUOUS OPERATION OF AN AMPLIFIER, SPEAKER, OR SUBWOOFER IN A DISTORTED, CLIPPED OR OVER-POWERED MANNER CAN CAUSE YOUR AUDIO SYSTEM TO OVERHEAT, POSSIBLY CATCHING FIRE AND RESULTING IN SERIOUS DAMAGE TO YOUR COMPONENTS AND/OR VEHICLE. AMPLIFIERS REQUIRE UP TO 4 INCHES (10CM) OPEN VENTILATION. SUBWOOFERS SHOULD BE MOUNTED WITH AT LEAST 1 INCH (2.5CM) CLEARANCE BETWEEN THE FRONT OF THE SPEAKER AND ANY SURFACE. KICKER PRODUCTS ARE CAPABLE OF PRODUCING SOUND LEVELS THAT CAN PERMANENTLY DAMAGE YOUR HEARING! TURNING UP A SYSTEM TO A LEVEL THAT HAS AUDIBLE DISTORTION IS MORE DAMAGING TO YOUR EARS THAN LISTENING TO AN UNDISTORTED SYSTEM AT THE SAME VOLUME LEVEL. THE THRESHOLD OF PAIN IS ALWAYS AN INDICATOR THAT THE SOUND LEVEL IS TOO LOUD AND MAY PERMANENTLY DAMAGE YOUR HEARING. PLEASE USE COMMON SENSE WHEN CONTROLLING VOLUME.

The KEY automatically improves the sound quality of your vehicle with the push of a button! Breathe new life and realism into any audio system with this small, yet powerful, amplifier and acoustic processor in one. With simple, one-step, automatic audio calibration, you'll have drastically improved audio quality and soundstage in minutes. You'll experience symphonic quality music whether you're using factory speakers and radio, or aftermarket products. The KEY-Series combines our time proven audio designs with state-of-the-art patented digital technology, to provide the best audio performance in a vehicle. The KEY amplifier uses digital circuitry for gain-matching, frequency crossover control, AutoEQ, Compression, Limiter, Time Delay and more, that automatically tunes your system to audiophile performance in your vehicle. It's the best of all worlds, packed into a tiny powerhouse amp that delivers our signature KICKER Performance for your musical enjoyment.

# Specifications

**Model:**

**KEY200.4**

RMS Power, **AMP1** and **AMP2**

@ 14.4V, 4Ω stereo, ≤ 1% THD+N 50W x 4

Length [in, cm]

7-3/8, 18.7

Height [in, cm]

1-11/16, 4.3

Width [in, cm]

2-3/4, 7

Frequency Response [Hz]

**AMPS 1-2:** 20Hz–20kHz

Signal-to-Noise Ratio [dB]

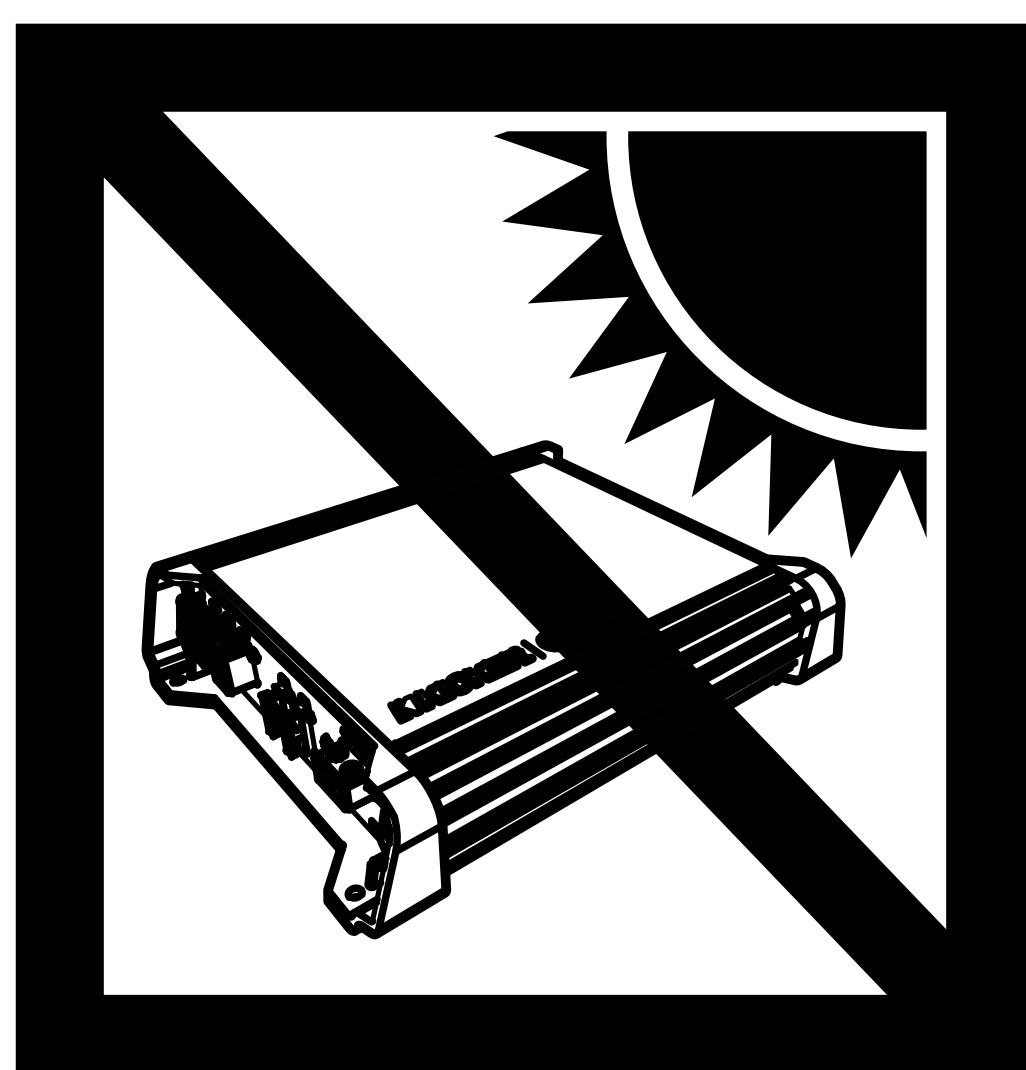
>90dB, A-weighted, re:  
rated power

Input Sensitivity

250mV–10V

Selectable Electronic Crossover

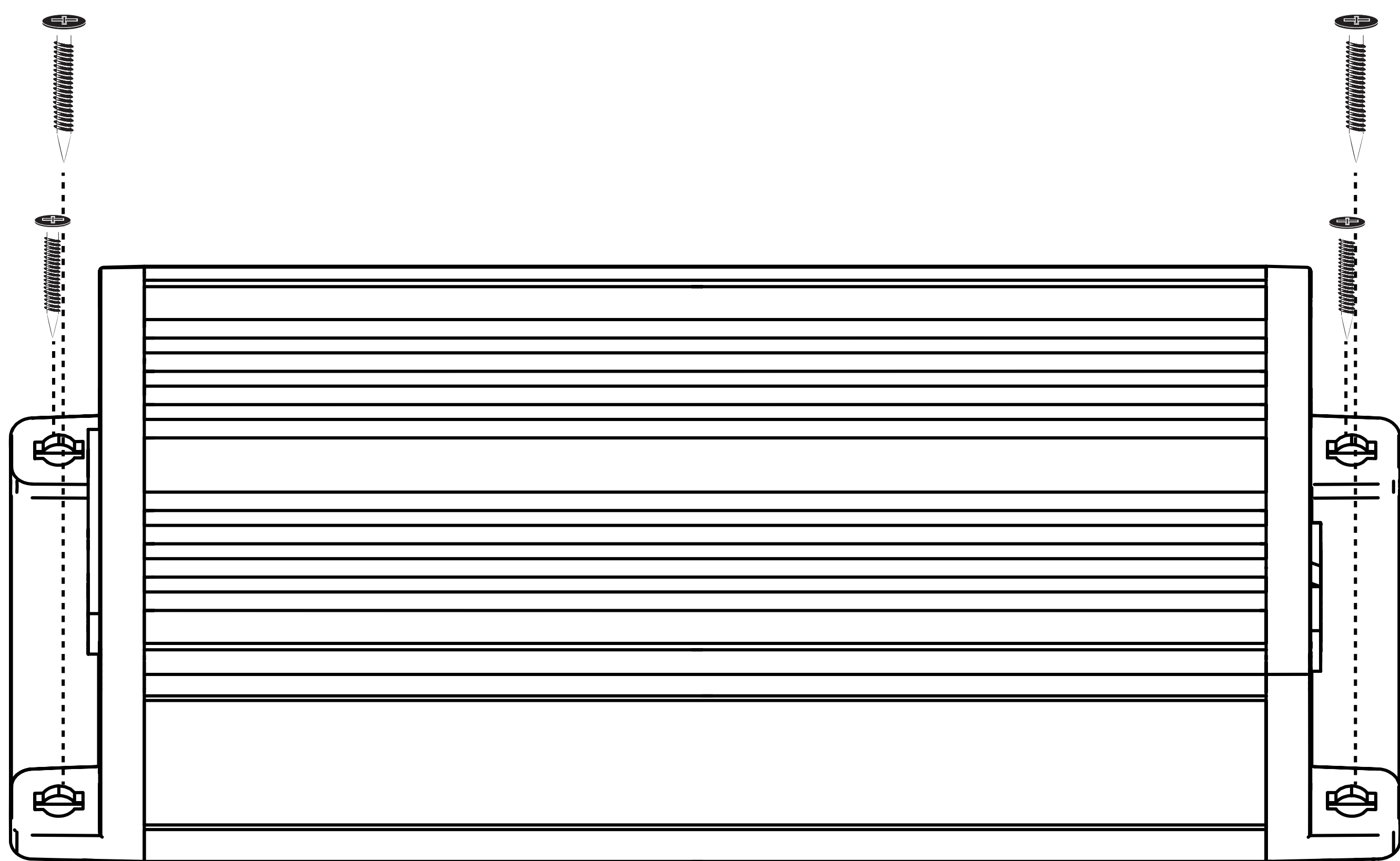
OFF, HI-PASS 60Hz, 80Hz,  
or 120Hz; 24dB/octave



# Installation

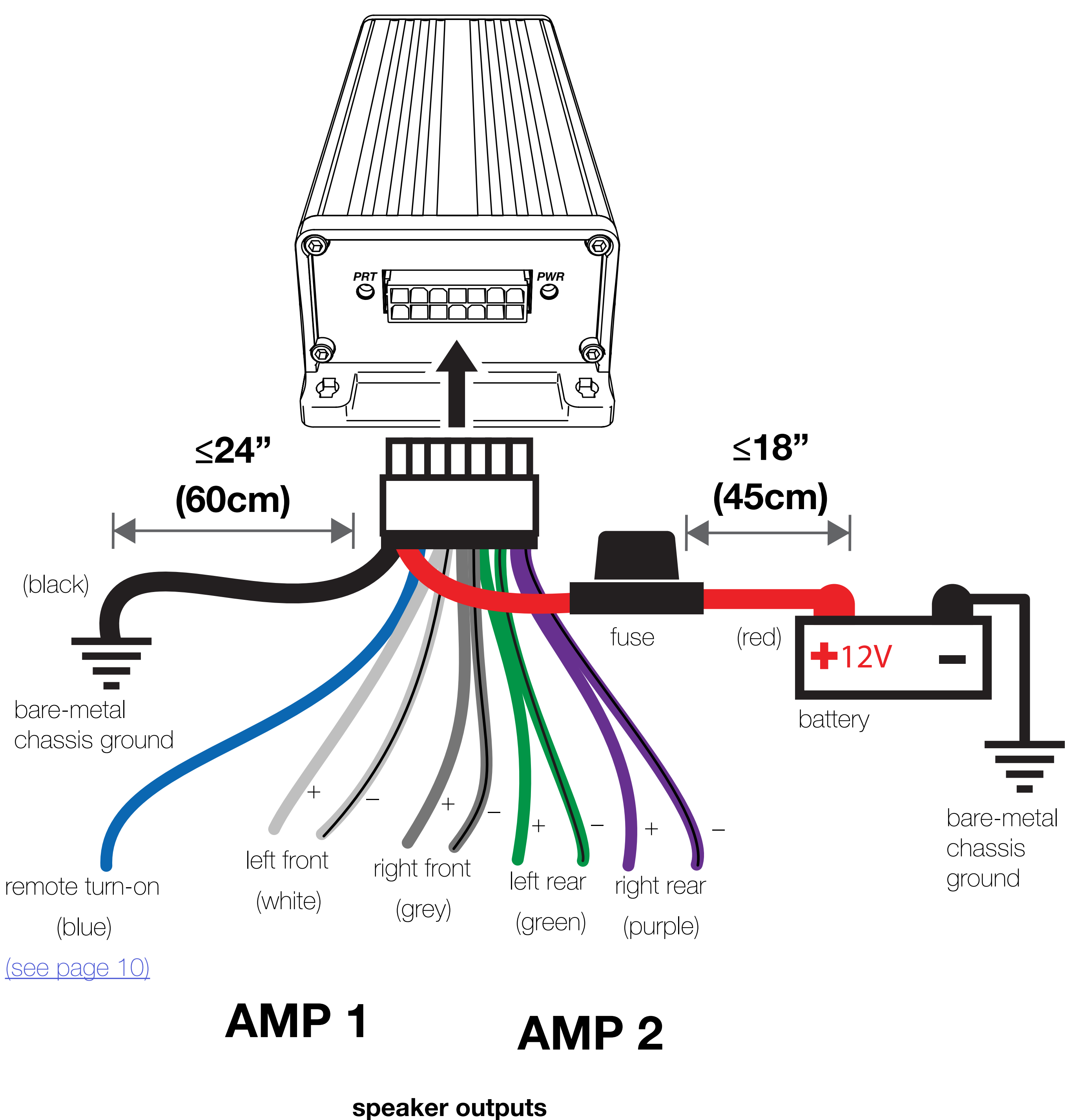
## Mounting

Choose a structurally sound location to mount your KICKER amplifier. Make sure there are no items behind the area where the screws will be driven. Choose a location that allows at least 4" (10cm) of open ventilation for the amplifier. If possible, mount the amplifier in the climate-controlled passenger compartment. Drill four holes using a 7/64" (3mm) bit and use the supplied #8 screws to mount the amplifier.

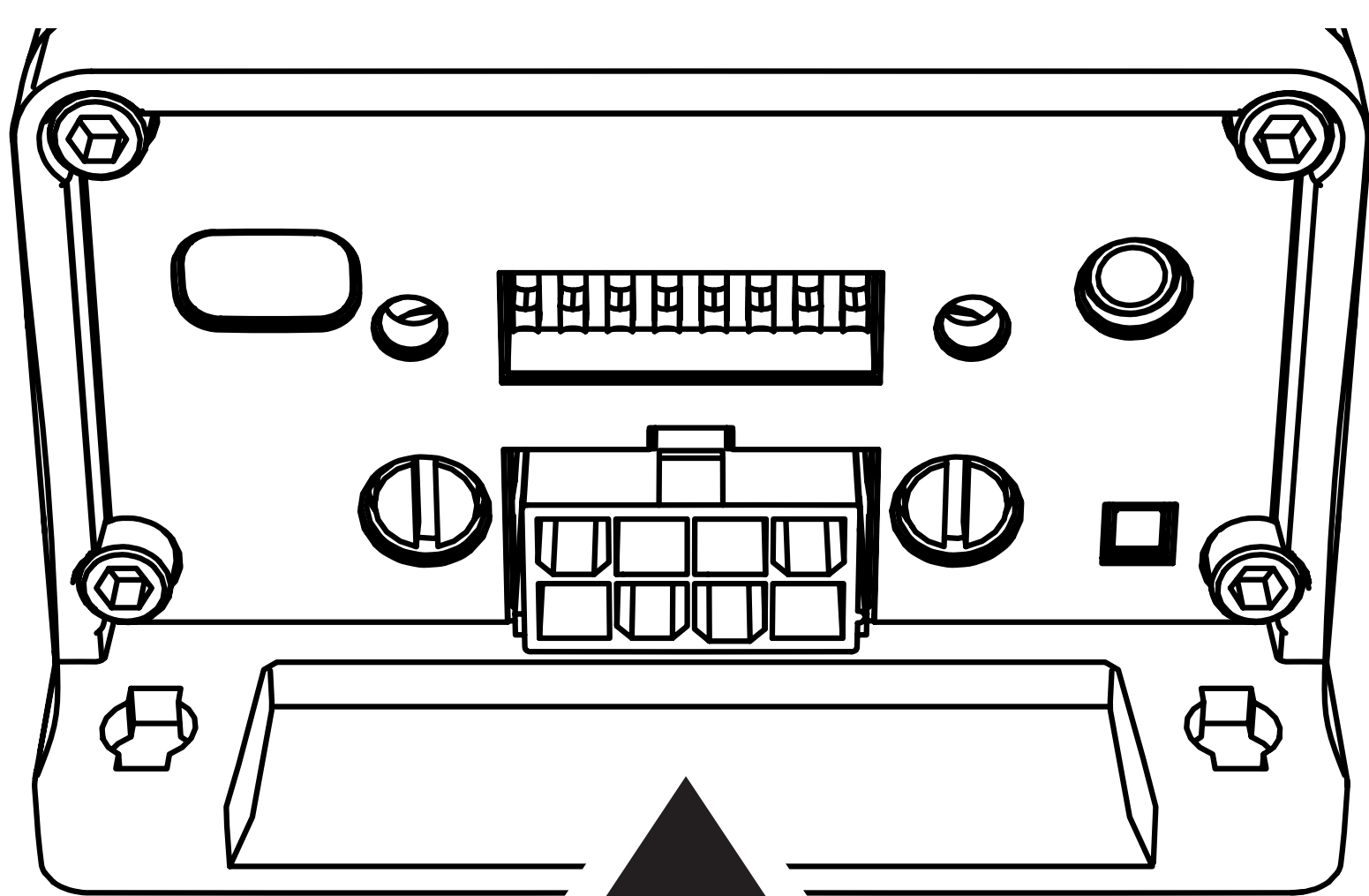


# Wiring

Disconnect the vehicle's battery to avoid an electrical short. Then connect the ground wire to the amplifier. Make the ground wire short, 24" (60cm) or less, and connect it to a paint-and-corrosion-free, solid, metal area of the vehicle's chassis. Adding an additional ground wire of this same gauge (or larger) between the battery's negative post and the vehicle chassis is recommended. Keep the audio signal cable away from factory wiring harnesses and other power wiring. If you need to cross this wiring, cross it at a 90 degree angle.



Cut the looped red power cable located in the KEY carton and install using the 20A fuse. The fuse should be within 18" (45cm) of the battery and in-line with the harness' power cable, which is connected to your amplifier. If you ever need to remove the amplifier from the vehicle after it has been installed, the ground wire should be the last wire disconnected from the amplifier--just the opposite as when you installed it. The KEY amplifier is capable of using the wiring directly from your head unit, but for best results it is recommended you use power and ground wiring from the vehicle's battery and chassis. KICKER recommends 14 gauge wire.



If needed, cut off the RCA connections to use hi-level input.

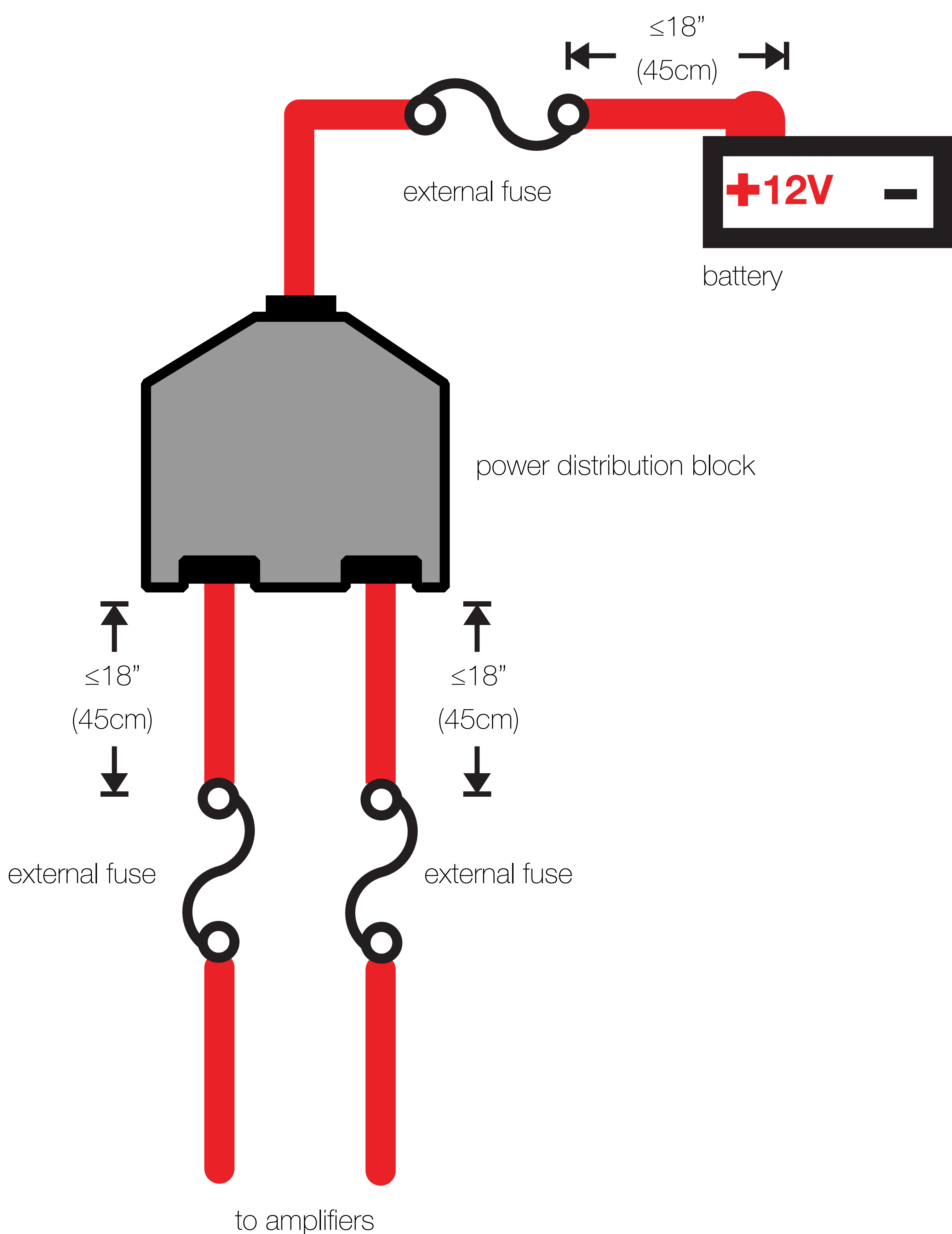
AMP1L  
white

AMP1R  
grey

AMP2L  
green

AMP2R  
purple

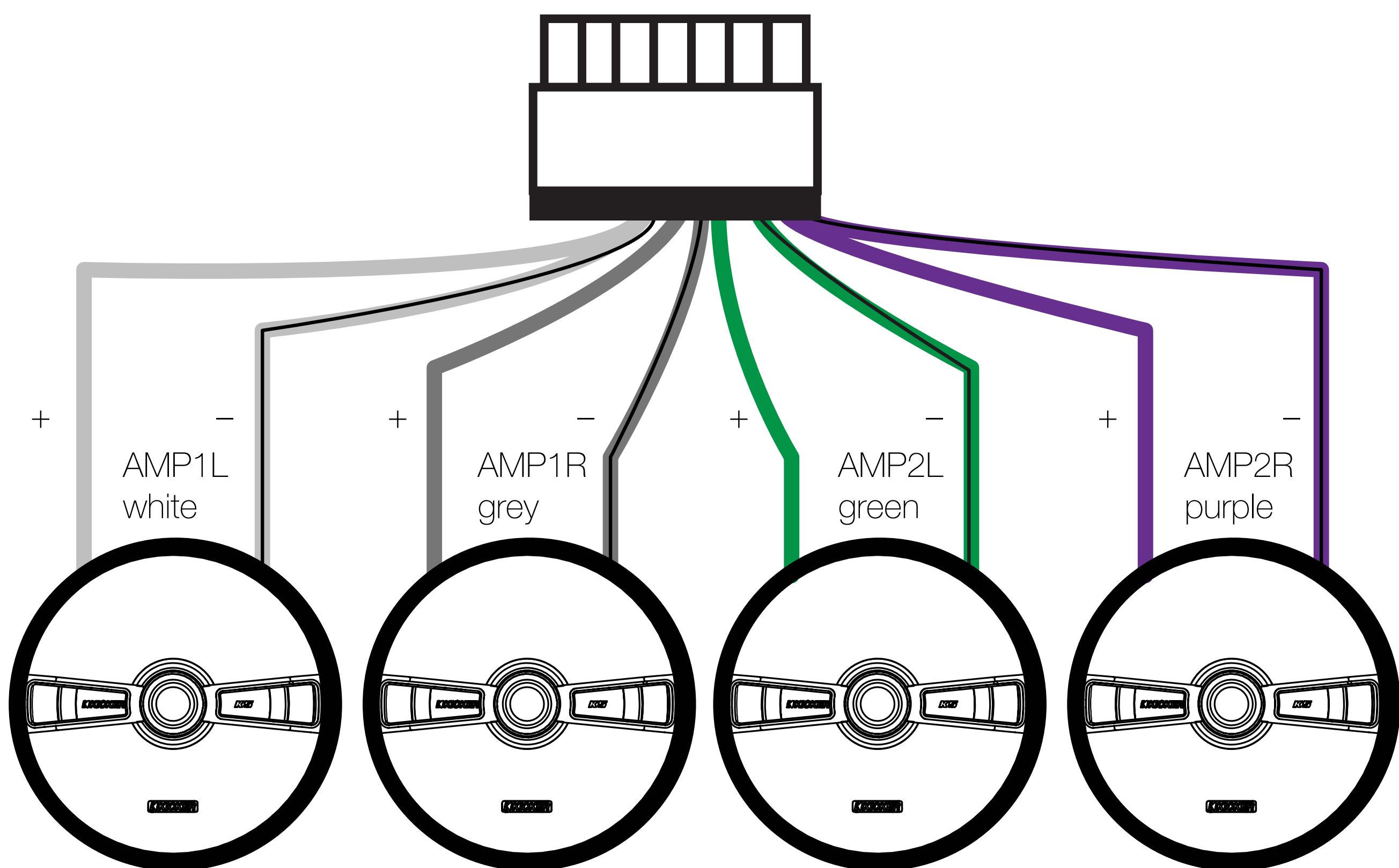
For multiple amplifier installations where distribution blocks are used, each amplifier should have its proper-rated fuse, or breaker, installed between the amplifier and the distribution block within eighteen inches of the block, or on the distribution block if it provides for fusing. The primary power wire should also be fused between the battery and distribution block, within eighteen inches of the battery's positive terminal, with a fuse or breaker rated at least to the sum of the individual amplifier's fuse values, but doesn't exceed the capacity of your wiring.





# STANDARD (FULL-RANGE) WIRING

minimum impedance of 4 ohms per channel



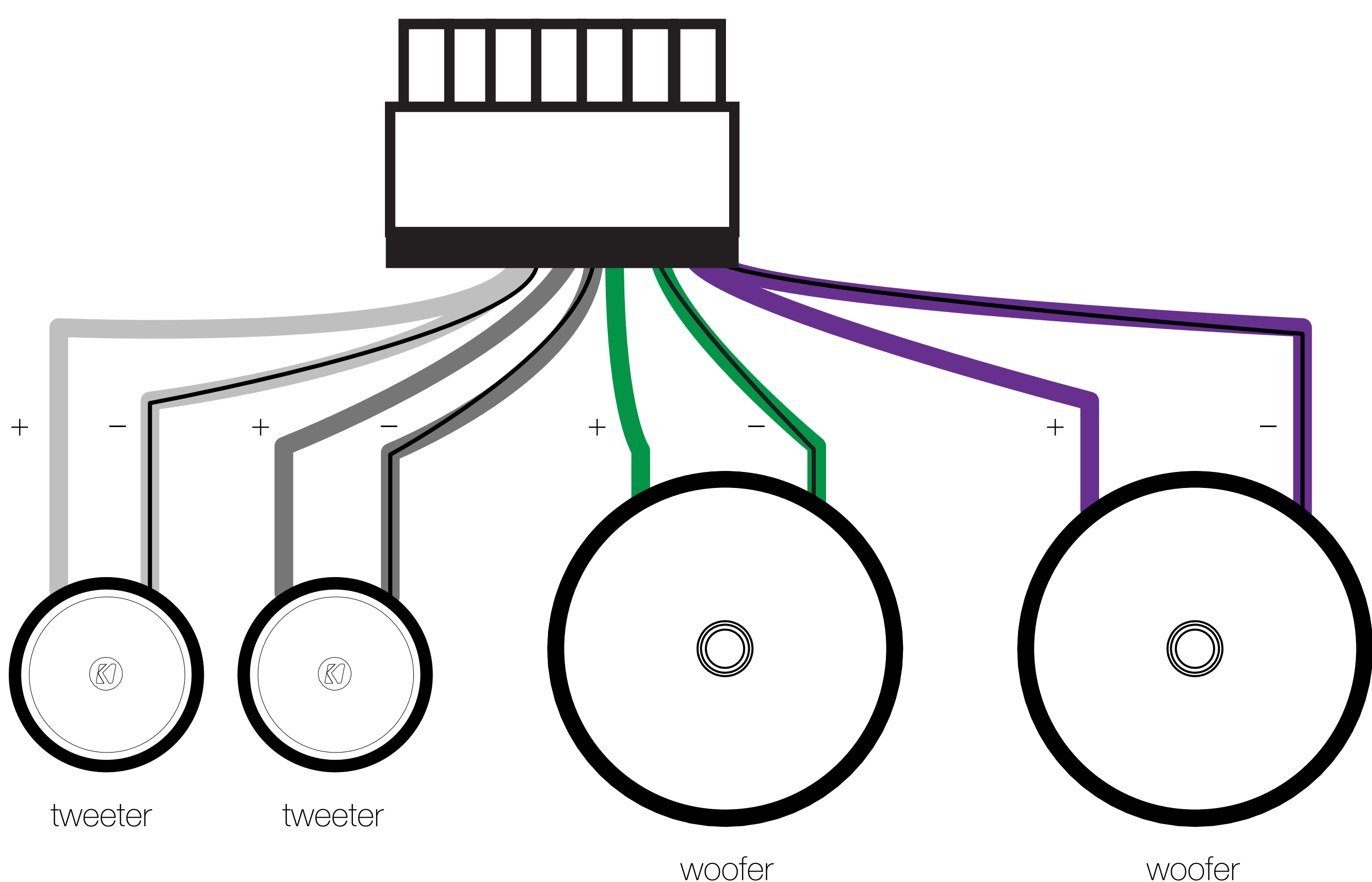
# BI-AMP WIRING

minimum impedance of 4 ohms per channel

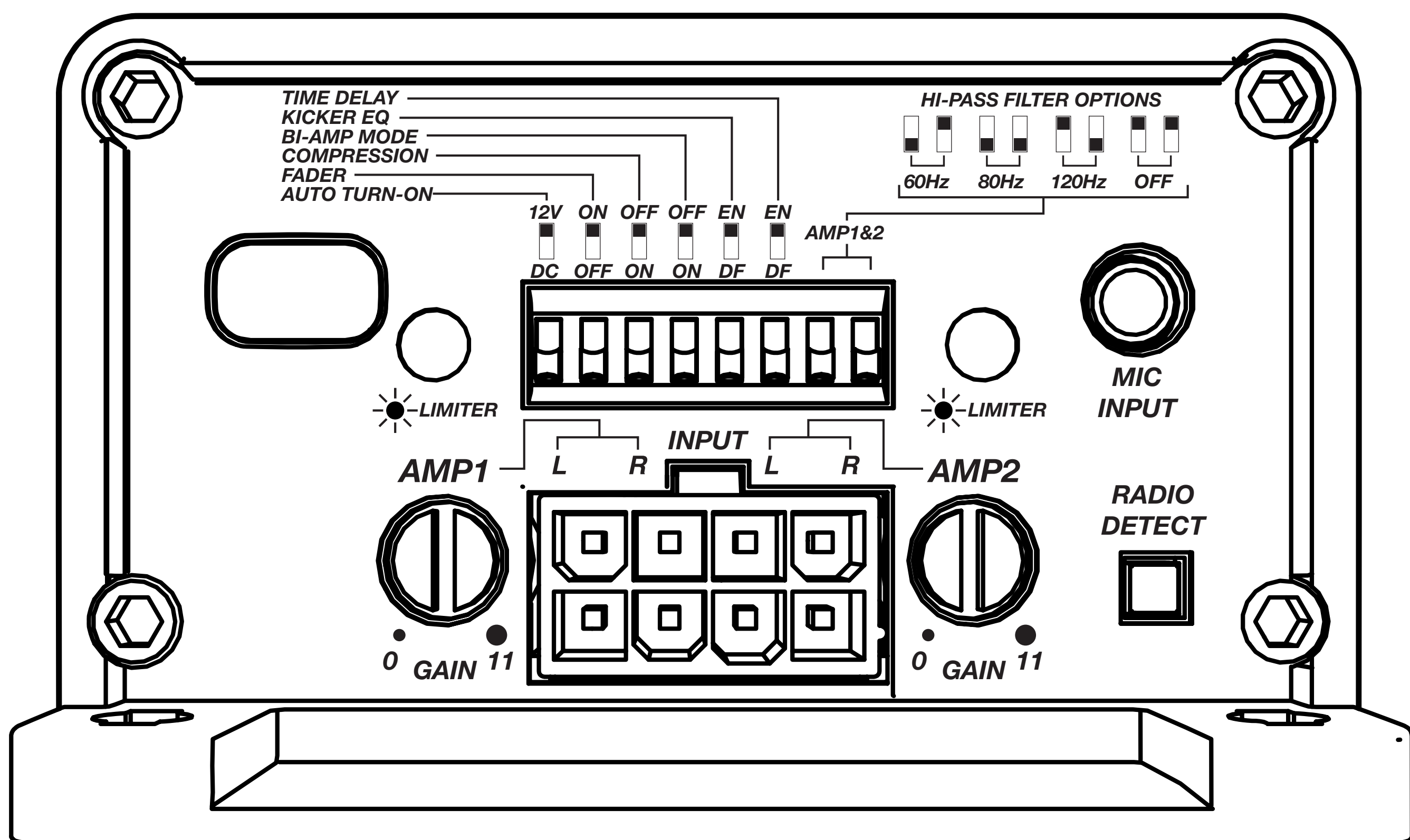
woofers must be installed to rear (AMP 2) channels

tweeters must be installed to front (AMP 1) channels

Bi-Amp switch must be ON!



# Operation



## Features

**Automatic Turn-On Selection:** The KEY series offers two different automatic turn-on modes that can be selected on the end panel; +12V and DC Offset. Using the DC Offset mode causes the REM wire to have +12V out for turning on additional amplifiers.

- Remote Turn-On: Set the switch to +12V to use the remote turn-on lead from your source unit. Run 18 gauge wire from the Remote Turn-On Lead on your source unit to the blue REM wire on KEY amplifier's wiring harness. This is the preferred automatic turn-on method.
- If 12V remote turn-on is not available, DC Offset turn-on can be used if speaker-level audio inputs are being used. The DC offset mode detects a 3V DC offset on the speaker wires when the source unit has been turned on.

**RADIO DETECT:** The RCA inputs on KICKER KEY amplifiers are capable of receiving either Hi or Low-level signals from your source unit. If you are using Hi-Level inputs, but your source unit cannot detect an audio system present or refuses to play audio out of one or more speakers, you may need to set Radio Detect to ON. This will activate a load resistor at the amplifier's inputs and tell the source unit there

are speakers present. Do NOT use Radio Detect if you are using a Low-Level input signal; doing so will greatly reduce the input signal.

**Input Gain Control with Gain Matching:** The input gain control is not a volume control. It matches the output of the source unit to the input level of the amplifier and features Gain Matching to prevent clipping the input. For a quick setup, turn the source unit up to about 3/4 volume (if the source unit goes to 30, turn it to 25). KICKER recommends using the test tones at [www.KICKER.com/support/](http://www.KICKER.com/support/) to reach the most accurate and best performing settings. Next, with gain knobs all the way down, slowly turn (clockwise) the gain up until you see the LIMITER LED light up or hear audible distortion, then turn it down a little. If the LIMITER's LED comes on, the input is still clipping. This step should be performed after KEY Auto Setup and crossover settings have been applied.

**MIC INPUT:** Connect the included microphone to the 3.5mm (1/8") microphone input and use in conjunction with the Auto Setup process to automatically set Time Alignment, KICKER EQ, and Output Level Matching. Install face up to headrest, pointing as straight as possible to the roof.

**TIME DELAY:** Set to enable (EN) for all speaker's output to reach the driver or microphone location at the same time. Set to defeat (DF) to turn time delay off.

**KICKER EQ:** Set to enable (EN) to turn KICKER EQ on (recommended), set to defeat (DF) to turn KICKER EQ off. When OFF, the frequency response curve will be flat.

**BI-AMP MODE:** The majority of systems require this switch to be OFF. Turn ON only if your speakers are wired in “Bi-Amp” mode (refer to BI-AMP operation picture on [page 9](#)). The Bi-Amp mode is to be specifically used without passive crossovers. Possible usages are with component speakers (two woofers and two tweeters), or with door woofers and dash speakers. Once the Bi-Amp switch is ON, the KEY amp will automatically detect and apply Bi-Amplification settings during the KEY Auto Setup:

- Woofers and Tweeters: 3.2kHz 24dB/oct High Pass for the tweeters, 3.2 kHz low pass for the woofers.
- Woofers and Dash Speakers: 320 Hz 24dB/oct High Pass for the dash-speakers, 640 Hz low pass for the woofers.

**COMPRESSION:** Set to enable (EN) to turn Auto Compression on, reducing high amplitude signals above a certain threshold, giving a more consistent listening experience and protecting your audio system. Set to defeat (DF) to turn Auto Compression off.

**FADER:** Leave the fader switch to ON if you are running two sets of inputs (front and rear for example) to the amplifier. Set the fader switch OFF if you want to drive all channels from a single stereo input.

**HI-PASS:** Use the HI-PASS switches of the amplifier to set the internal crossover. Choose a cutoff of 60Hz, 80Hz, 120Hz, or OFF depending on the configuration of switches.

**LIMITER:** The LIMITER may engage for multiple reasons, as indicated by the LIMITER LEDs. This is to protect your speakers and allow for continuous playback. The LIMITER will engage during:

- Engine start: The KEY is a Start-Stop compatible amplifier; it will not turn off during engine start. When your vehicle's engine is starting there is a voltage dip in the +12V line. In order to prevent a clipped output signal from reaching your speakers, the LIMITER engages during that moment. Should you be listening at a moderate or higher volume level, you may see the LIMITER indicators light up during engine start and turn off once the engine is running.
- Low voltage: If the operating voltage fed to the amplifier is below a level specified for full power operation (+10.8V), you may see the LIMITER indicators light up at moderate or high music volume levels.
- Input signal overdrive: When the input signal to the amplifier causes its output to exceed the maximum rated power, the LIMITER will engage to prevent severe clipping. This can be caused by the gain setting or the input signal being too high, or both. Reduce the gain or the strength of the input signal.

The LIMITER engages as the amplifier reaches and surpasses its maximum operational temperature, limiting the power of the amplifier as the temperature rises. Consequently, the temperature will take longer to rise until an equilibrium is achieved in which the temperature won't climb any higher, and the output power won't be limited any further. This protection does not cutoff the audio abruptly and it does not output clipped audio to the speakers.

- Compression switch ON: To fully protect your speakers, you may turn the compression switch ON. This will cause the LIMITER to engage whenever the amplifier is about to output a clipped audio signal, though some distortion may still be audible. If the gain is set properly and the audio source doesn't clip, this will provide another fail-safe for your audio system while limiting the current draw of the amp, which lowers the load of the amp on the vehicle's electrical system.

# KEY Auto Setup

The KEY Activation Button is a multi-function button attached to the included microphone that will begin the Auto Setup process, toggle between Auto Setup optimized audio and the original audio once the Auto Setup process has been completed, or clear previous Auto Setup settings.

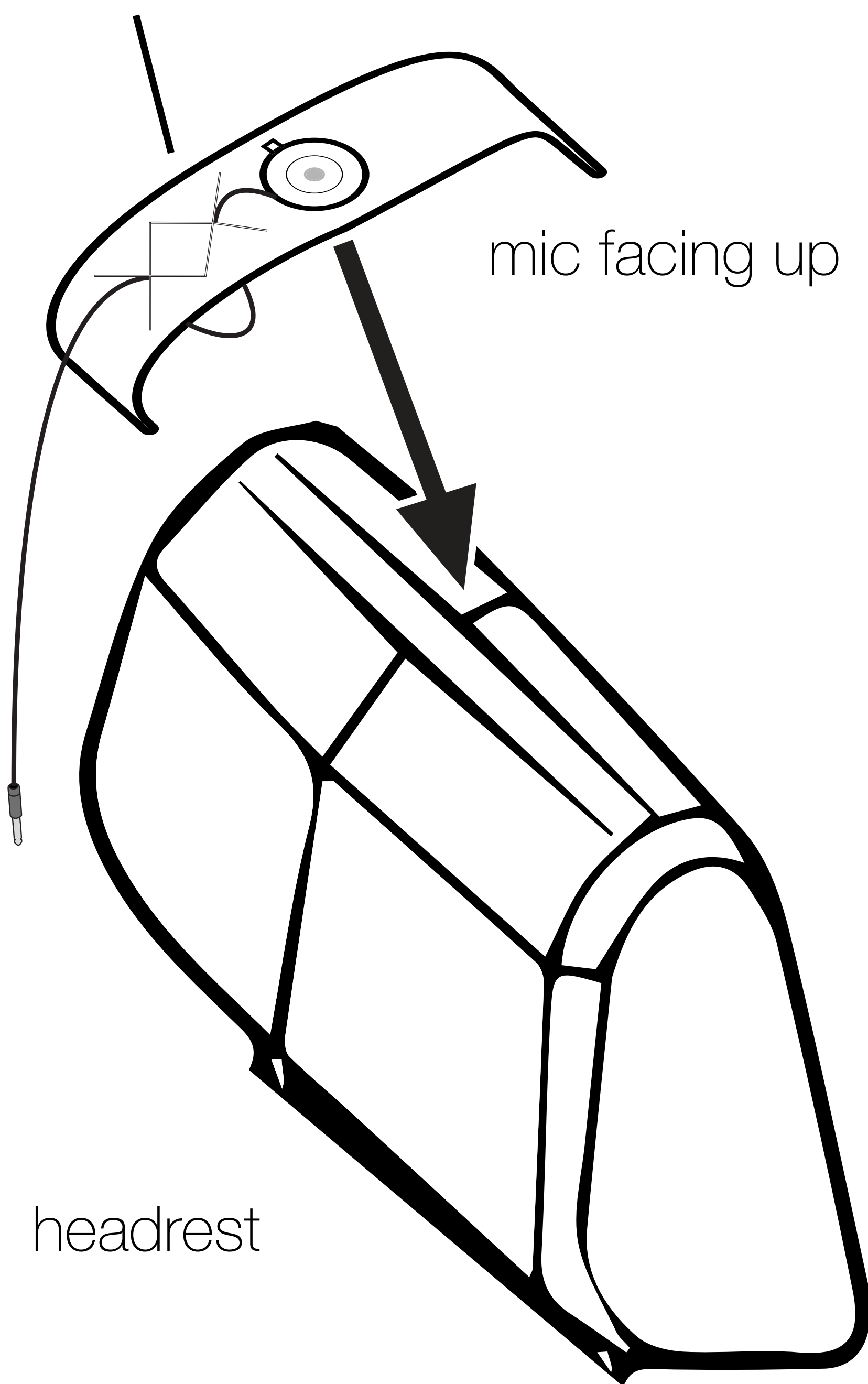
The Auto Setup consists of several tune-up steps including individual speaker equalization, KICKER EQ, time delay and speaker sensitivity matching. If a setting is defeated with the DIP switches on the KEY panel, the settings will be registered in memory and can be applied or cleared. Changing the DIP switch positions does not require a new Auto Setup to be run.

Make sure active noise cancellation and active noise enhanced are disabled beforehand. You will need to load a source for pink noise from your head unit, whether CD, MP3, AUX, Bluetooth, USB etc. Uncompressed audio is recommended for best results, as this will ensure full amplitude across the frequency spectrum (20Hz–20kHz). Visit **www.kicker.com/tech** to download the pink noise profile best suited for your listening habits!

- 1.** Set the KEY amplifier gains (AMP-1 and AMP-2) to the minimum (fully counter-clockwise). Place all settings in the signal chain, such as the EQ on your head unit, to disabled or flat. Disconnect any speakers or subwoofers not connected to the KEY amplifier, factory or aftermarket.

**2.** Close the car windows, turn off the engine, turn off the HVAC. Install the microphone to the top of the driver's side headrest. Make sure the microphone faces up, pointing as straight as possible to the roof.

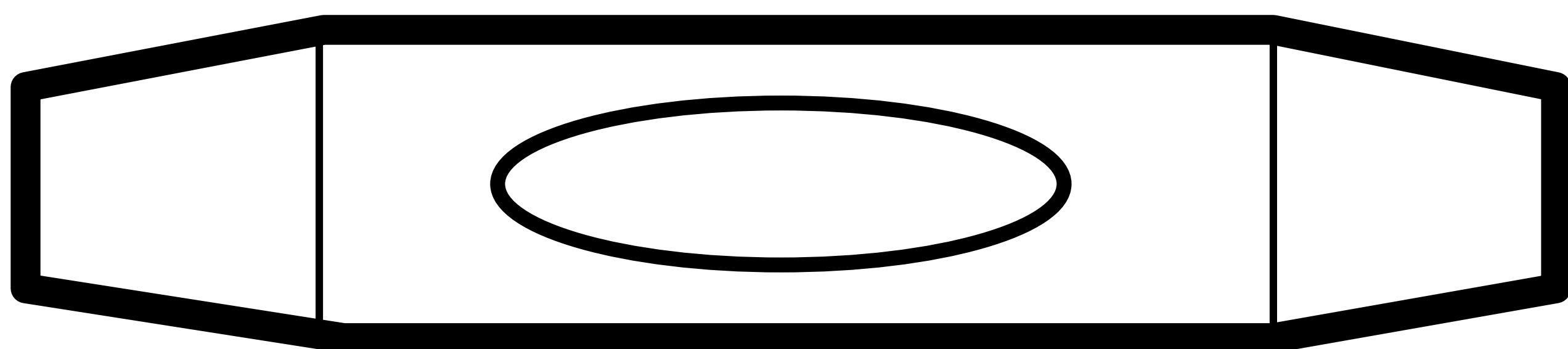
run mic wire



**3.** In most cases, the Bi-Amp switch should be OFF. Check if you need to turn the Bi-Amp switch ON. Refer to [page 9](#) for more information

**4.** Start the Pink Noise. Set the Pink Noise volume to a level above conversational (slightly loud) using your audio source volume control (usually head-unit).

**5.** Begin the Auto Setup by quick-pressing the KEY Activation Button. Once initialized, you will hear repeating tones (beeps), which indicate that you must exit the vehicle and close the door. You will have 10 seconds until the process begins. *Beeps and noises during the KEY Auto Setup process can be loud. For your safety, please do not remain inside the vehicle!*  
KEY Activation Button



**6.** Once the Auto Setup has completed, you will hear happy music for a successful setup. You may quick-press the KEY Activation Button to toggle between the original, non-optimized audio or re-apply the KEY optimized audio. Dial in the GAIN settings and you're done!

Upon successful completion, if you wish to clear the Auto Setup settings and revert the KEY amp to "clean", press and hold the KEY Activation Button for 10 seconds. You will hear a single long beep. You can then repeat the Auto Setup process if desired.

If the Auto Setup process did not complete successfully, you will hear sad music, followed by beeps that represent an error code. Count the number of beeps, ranging from 1 to 6, and refer to the Troubleshooting section. Once you've addressed the cause, you can quick-press the KEY Activation Button to run the Auto Setup process again.



# Auto Setup FAQ

Q: How silent must the ambient noise be in order for the Auto Setup work properly?

A: As silent as possible, both inside and outside the vehicle. The HVAC should be off and the windows rolled up, with as few obstructions in the vehicle as possible. Lower frequency noises interfere more than higher frequency noises. In case the ambient noise is too much, the Auto Setup program will quit with sad music and error code #6.

Q: Can I put more than one KEY amplifier in my car?

A: Yes, however the Auto Setup program is designed to optimize the front-sound stage only. Only one KEY amplifier can use the Auto Setup feature.

Q: Can I use the KEY amplifier in addition to a subwoofer?

A: Yes, but care must be taken. Make sure you disconnect your subwoofer prior to the Auto Setup process. The subwoofer must stay quiet during the Auto Setup so the KEY amp can hear what the car speakers sound like without interference.

Upon successful completion of the Auto Setup, you can reconnect your subwoofer and use the crossover switches on the KEY amplifier to apply an adequate hi-pass to your speakers in order to match them with your subwoofer. If you've forgotten to disconnect your subwoofer and it plays pink noise during Auto Setup, the Auto Setup program will quit with sad music and error code #6.

Q: How does the Crossover work on the KEY amp?

A: In case no Auto Setup has been done, or the Auto Setup process was for Full-Range speakers (most cases), the 24dB/octave Linkwitz-Riley Hi-

pass crossover will be applied to all speakers. This crossover is user-selectable via DIP switches with the following options: OFF, 60 Hz, 80 Hz or 120 Hz.

In case of a Bi-Amp system with woofers and tweeters, the door speaker's hi-pass is user selectable and the lo-pass is 3.2 kHz 24 dB/octave. The tweeter's hi-pass is also 3.2 kHz 24db/octave.

In case of a Bi-Amp system with door and dash woofers, the door woofer's hi-pass is user selectable and the low-pass is 640 Hz 24 dB/octave. The dash woofer's hi-pass is 320 Hz 24db/octave. The overlap of 640 Hz low-pass with 320 Hz hi-pass is done on purpose to enrich the mid-range. The Auto EQ takes care of trimming excesses that can occur within this range.

Q: My Auto Setup program did not complete successfully, I am getting a sad song and beeps at the end. What is it?

A: The beeps at the end are the error codes of the Auto Setup program. Upon failure, please count the number of beeps after the sad song and troubleshoot with the information below.

Q: The Auto Setup process completed successfully, but I'm not happy with the sound. What other steps can I take?

A: Ensure all speakers connected to the KEY amplifier are wired in phase with each other. Be sure to check both the amplifier side and the speaker side of the wiring.

Visit [www.kicker.com/tech](http://www.kicker.com/tech) to download the pink noise profile best suited for your listening habits!

# Error Codes

<b>Beeps</b>	<b>Reason</b>	<b>Troubleshooting Action</b>
<b>1</b>	Tweeter found, but the BI-AMP switch is off	Enable the BI-AMP switch
<b>2</b>	BI-AMP switch is on, but there is no sound from a channel	Make sure all wiring is properly connected to the correct amplifier channels.
<b>3</b>	Auto Time Delay failed - possible blockage or disconnected speaker	Check speaker connections for disconnected wire. Avoid physical barriers. Possible faulty speaker.
<b>4</b>	Auto EQ failed	Make sure Pink Noise is loaded and playing on the head unit at an adequately high volume.
<b>5</b>	Front/Rear sensitivity correction failed	Check speaker connections for disconnected wire. Avoid physical barriers. Possible faulty speaker.
<b>6</b>	Too much ambient noise	Make sure any subwoofers are disconnected, fans are off, engine is off, windows are rolled up, doors are shut and external noise is at a minimum.

# Troubleshooting

---

If your amplifier does not appear to be working, check the obvious things first such as blown fuses, poor or incorrect wiring connections, incorrect setting of crossover switch and gain controls, etc. There are Power (PWR) & Protection (PRT) LEDs on the side panel of your KICKER KEY series amplifier. Depending on the state of the amplifier and the vehicle's charging system, the LEDs will glow either green or red. When the green LED is lit, this indicates the amplifier is turned on and no trouble exists.

**Green LED off, no output?** With a Volt Ohm Meter (VOM) check the following: ❶ +12 volt power terminal (should read +12V to +16V) ❷ Remote turn-on terminal (should read +12V to +16V) ❸ Check for reversed power and ground connections ❹ Ground terminal, for proper conductivity.

**Green LED on, no output?** Check the following: ❶ RCA connections ❷ Test speaker outputs with a “known” good speaker. ❸ Substitute source unit with a “known” good source unit. ❹ Check for a signal in the RCA cable feeding the amplifier with the VOM meter set to measure “AC” voltage.

**Red (PRT) LED flickering with loud music?** The red (PRT) LED indicates low battery voltage. Check all the connections in your vehicle's charging system. It may be necessary to replace or charge your vehicle's battery or replace your vehicle's alternator.

**Red (PRT) LED on, no output?** ❶ Amplifier is very hot = thermal protection is engaged. Test for proper impedance at the speaker terminals with a VOM meter (see the diagrams in this manual for minimum recommended impedance and multiple speaker wiring suggestions). Also check for adequate airflow around the amplifier. ❷ Amplifier shuts down only while vehicle is running = voltage protection circuitry is engaged. Voltage to the amplifier is not within the 6–16 volt operating range. Have the vehicle's charging and electrical system inspected. ❸ Amplifier will only play at low volume levels = short circuit protection is engaged. Check for speaker wires shorted to each other or to the vehicle chassis. Check for damaged speakers or speaker(s) operating below the minimum recommended impedance.

**LIMITER LED on?** ❶ Input signal overdrive or gain set too high: Reduce the gain or the strength of the input signal. ❷ Thermal protection engaged due to heat sink temperature. Keep amplifier in climate controlled cabin, away from direct sunlight, or in a better ventilated area. ❸ Low input voltage (+12V line): Check your power supply wires and battery voltage. ❹ Compression switch is on: If not desired, turn the compression switch off.

**No or low output?** ❶ Check the balance and fader controls on source unit. ❷ Check the RCA (or speaker input) and speaker output connections. ❸ If using a Low-Level signal, make sure Radio Detect is OFF. ❹ Check the volume level on your source unit, to include the volume level of any connected phones or MP3 players.

**Alternator noise-whining sound with engine's RPM?** ❶ Check for damaged RCA (or speaker input) cable ❷ Check the routing of RCA (or speaker input) cable ❸ Check the source unit for proper grounding ❹ Check the gain settings and turn them down if they are set too high.

**CAUTION:** When jump starting the vehicle, be sure that connections made with jumper cables are correct. Improper connections can result in blown amplifier fuses as well as the failure of other critical systems in the vehicle.

If you have more questions about the installation or operation of your new KICKER product, see the Authorized KICKER Dealer where you made your purchase. For more advice on installation, click on the SUPPORT tab on the KICKER homepage, [www.KICKER.com](http://www.KICKER.com). Choose the TECHNICAL SUPPORT tab, choose the subject you are interested in, and then download or view the corresponding information. Please E-mail [support@KICKER.com](mailto:support@KICKER.com) or call Technical Services (405) 624-8583 for unanswered or specific questions.

# Warranty

---

When purchased from an Authorized KICKER Dealer, KICKER warrants this product to be free from defects in material and workmanship under normal use for a period of TWO (2) YEARS from date of original purchase with receipt. If this product is identified as “Refurbished” or “B Goods”, the warranty is limited to a period of THREE (3) MONTHS from the date of original purchase. In all cases you must have the original receipt. Should service be necessary under this warranty for any reason due to manufacturing defect or malfunction during the warranty period, KICKER will repair or replace (at its discretion) the defective merchandise with equivalent merchandise. Warranty replacements may have cosmetic scratches and blemishes. Discontinued products may be replaced with more current equivalent products. This warranty is valid only for the original purchaser and is not extended to owners of the product subsequent to the original purchaser. Any applicable implied warranties are limited in duration to a period of the express warranty as provided herein beginning with the date of the original purchase at retail, and no warranties, whether express or implied, shall apply to this product thereafter. Some states do not allow limitations on implied warranties; therefore, these exclusions may not apply to you. This warranty gives you specific legal rights; however you may have other rights that vary from state to state.

## **WHAT TO DO IF YOU NEED WARRANTY OR SERVICE:**

Defective merchandise should be returned to your local Authorized Stillwater Designs (KICKER) Dealer for warranty service. Assistance in locating an Authorized Dealer can be found at [www.KICKER.com](http://www.KICKER.com) or by contacting Stillwater Designs directly. You can confirm that a dealer is authorized by asking to see a current authorized dealer window decal.

If it becomes necessary for you to return defective merchandise directly to Stillwater Designs (KICKER), call the KICKER Customer Service Department at (405) 624-8510 for a Return Merchandise Authorization (RMA) number. Package only the defective items in a package that will prevent shipping damage, and return to:

**Stillwater Designs, 3100 North Husband St, Stillwater, OK 74075**

The RMA number must be clearly marked on the outside of the package. Please return only defective components. The return of functioning items increases your return freight charges. Non-defective items will be returned freight collect to you. For example, if a subwoofer is defective, only return the defective subwoofer, not the entire enclosure. Include a copy of the original receipt with the purchase date clearly visible, and a “proof-of-purchase” statement listing the Customer’s name, Dealer’s name and invoice number, and product purchased. Warranty expiration on items without proof-of-purchase will be determined from the type of sale and manufacturing date code. Freight must be prepaid; items sent freight-collect, or COD, will be refused.

## **WHAT IS NOT COVERED?**

This warranty is valid only if the product is used for the purpose for which it was designed. It does not cover:

- o Damage due to improper installation
- o Subsequent damage to other components
- o Damage caused by exposure to moisture, excessive heat, chemical cleaners, and/or UV radiation
- o Damage through negligence, misuse, accident or abuse. Repeated returns for the same damage may be considered abuse
- o Any cost or expense related to the removal or reinstallation of product
- o Speakers damaged due to amplifier clipping or distortion
- o Items previously repaired or modified by any unauthorized repair facility
- o Return shipping on non-defective items
- o Products with tampered or missing barcode labels
- o Products with tampered or missing serial numbers
- o Products returned without a Return Merchandise Authorization (RMA) number
- o Products purchased from an UNAUTHORIZED dealer
- o Freight Damage
- o The cost of shipping product to KICKER
- o Service performed by anyone other than KICKER

## **HOW LONG WILL IT TAKE?**

KICKER strives to maintain a goal of one week turnaround for all electronics (amplifiers, crossovers, equalizers, etc.) returns. Delays may be incurred if lack of replacement inventory or parts is encountered. Failure to follow these steps may void your warranty. Any questions can be directed to the KICKER Customer Service Department at (405) 624-8510. Contact your International KICKER dealer or distributor concerning specific procedures for your country’s warranty policies.

Resumen .....	24
Rendimiento .....	25
Instalación .....	26
Montaje.....	26
Cableado .....	27
Funcionamiento .....	31
Características .....	31
Configuración automática de KEY	36
Pregunta Frecuentes Sobre la Configuración Automática.....	39
Códigos de error .....	42
Resolución de Problemas	43

# Resumen

---

**ADVERTENCIA IMPORTANTE DE SEGURIDAD:** LA OPERACIÓN PROLONGADA Y CONTINUA DE UN AMPLIFICADOR DE MANERA DISTORSIONADA O CORTADA PUEDE PROVOCAR QUE SU SISTEMA DE AUDIO SE SOBRECALIENTE CON LA POSIBILIDAD DE INCENDIARSE Y PROVOCAR DAÑOS GRAVES A SUS COMPONENTES O VEHÍCULO. ¡LOS PRODUCTOS KICKER PUEDEN PRODUCIR NIVELES DE SONIDO QUE PUEDEN DAÑAR PERMANENTEMENTE SU OÍDO! SUBIR EL VOLUMEN DE UN SISTEMA A UN NIVEL EN EL CUAL SE ESCUCHA UNA DISTORSIÓN ES MÁS DAÑINO PARA SUS OÍDOS QUE ESCUCHAR UN SISTEMA SIN DISTORSIÓN AL MISMO NIVEL DE VOLUMEN. EL UMBRAL DEL DOLOR ES SIEMPRE UN INDICADOR DE QUE EL NIVEL DEL SONIDO ES MUY ALTO Y PUEDE DAÑAR PERMANENTEMENTE SU AUDICIÓN. USE EL SENTIDO COMÚN AL CONTROLAR EL VOLUMEN. LOS EXCITADORES KICKER SON CAPACES DE PRODUCIR NIVELES DE SONIDO QUE PUEDEN DAÑAR PERMANENTEMENTE EL OÍDO. SUBIR EL VOLUMEN DEL SISTEMA HASTA UN NIVEL QUE PRODUZCA DISTORSIÓN ES MÁS DAÑINO PARA EL OÍDO QUE ESCUCHAR UN SISTEMA SIN DISTORSIÓN AL MISMO VOLUMEN. EL DOLOR ES SIEMPRE UNA INDICACIÓN DE QUE EL SONIDO ES MUY FUERTE Y QUE PUEDE DAÑAR PERMANENTEMENTE EL OÍDO. SEA PRECAVIDO CUANDO CONTROLE EL VOLUMEN.

El amplificador KEY mejora automáticamente la calidad del sonido de su vehículo, ¡con solo presionar un botón! Infunda nueva vida y realismo a cualquier sistema de audio con este amplificador y procesador acústico todo en uno compacto pero poderoso. Con una calibración de audio simple, automática y de un solo paso, mejorará enormemente la calidad del audio y el campo acústico en cuestión de minutos. Prepárese para experimentar música de calidad sinfónica, ya sea si utiliza altavoces y radio de fábrica o productos genéricos.



# Rendimiento

**Modelo:**

**KEY200.4**

Potencia RMS

@ 14.4V, 4Ω estéreo,  $\leq 1\%$  THD+N      50W x 4

Longitud [pulg, cm]

7-3/8, 18.7

Altura [pulg, cm]

1-11/16, 4.3

Ancho [pulg, cm]

2-3/4, 7

Respuesta de frecuencia [Hz]

**AMPS 1-2:** 20Hz–20kHz

Relación señal-ruido [dB]

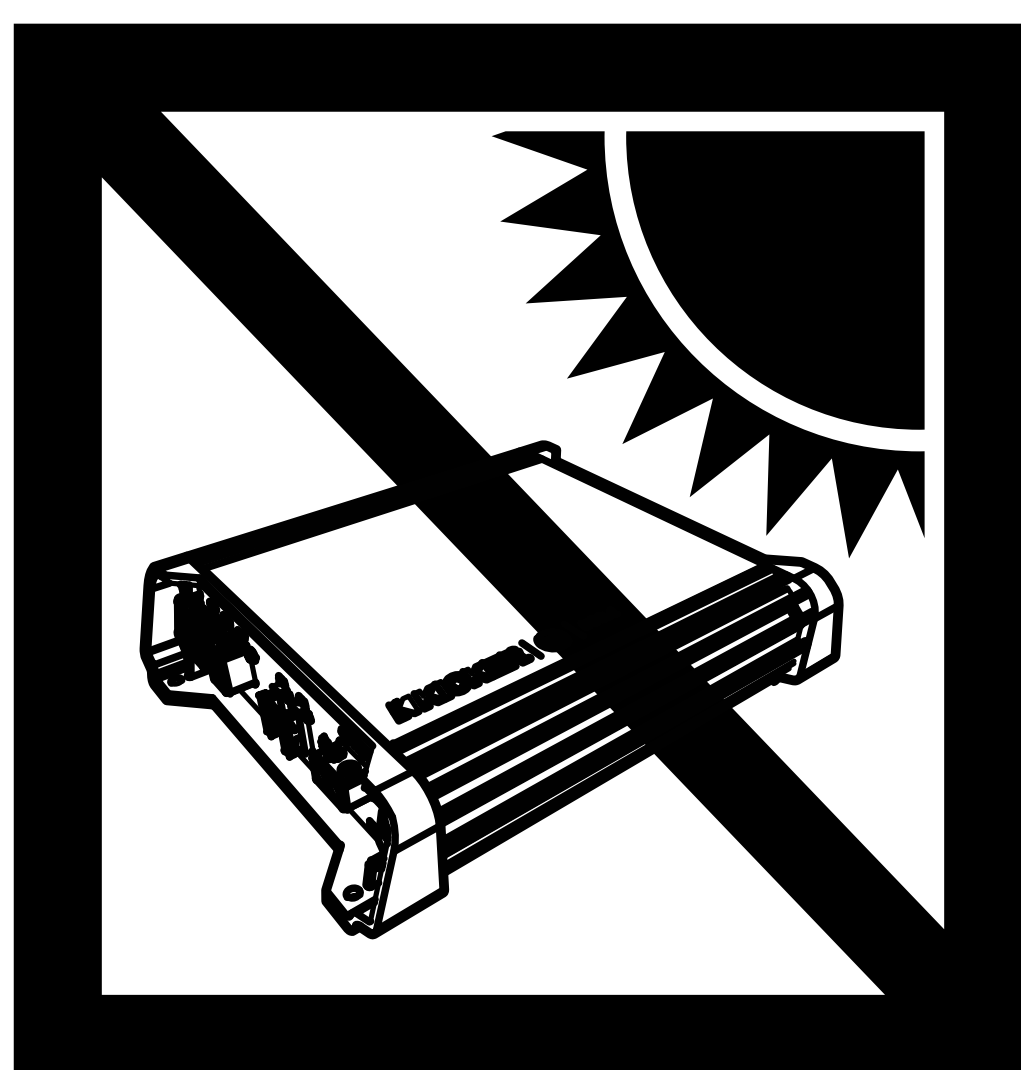
>90dB, ponderado-A, re:  
potencia nominal

Sensibilidad de entrada

250mV–10V

Divisor de frecuencias electrónico  
seleccionable

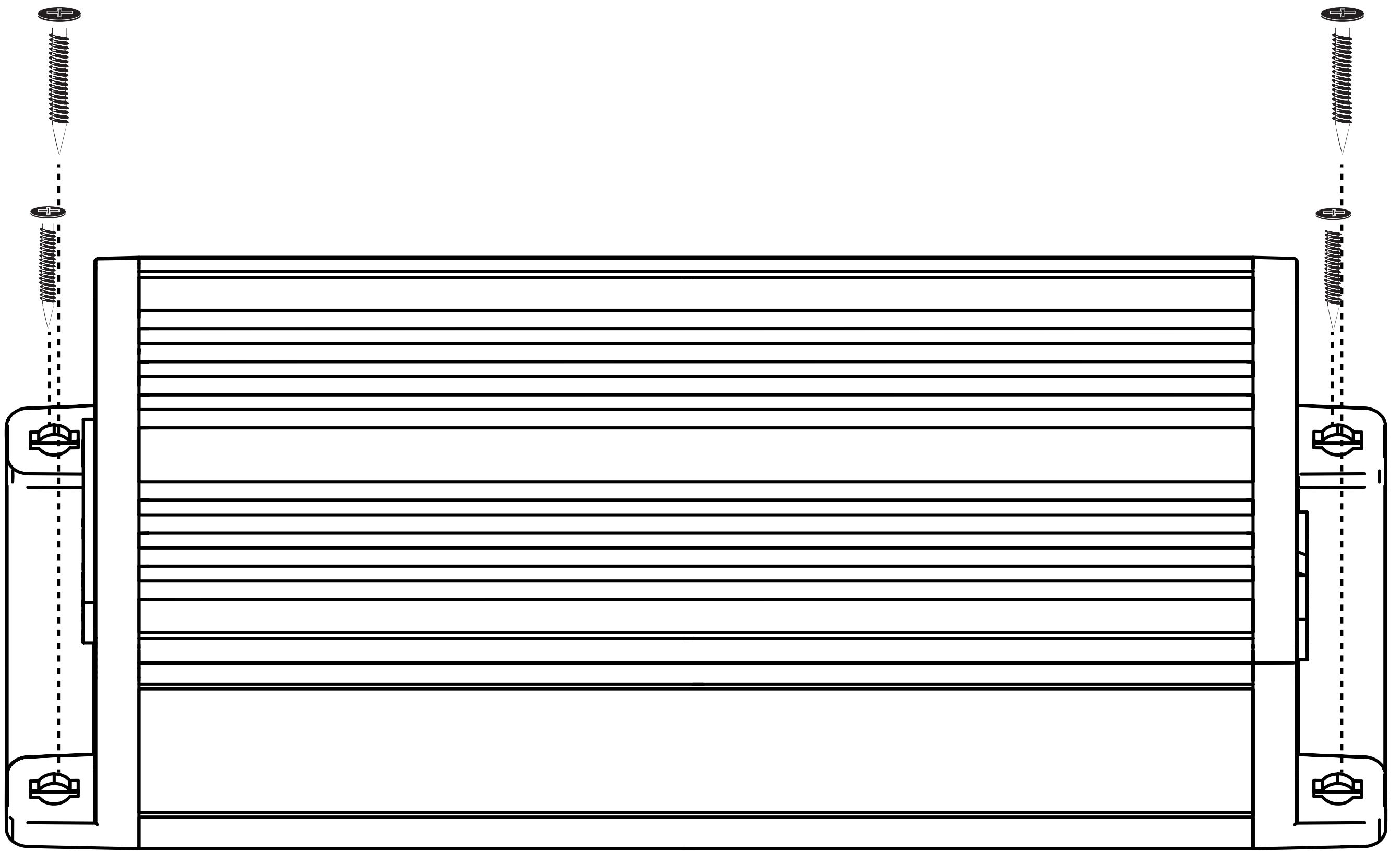
OFF, HI-PASS 60Hz, 80Hz,  
or 120Hz; 24dB/octava



# Instalación

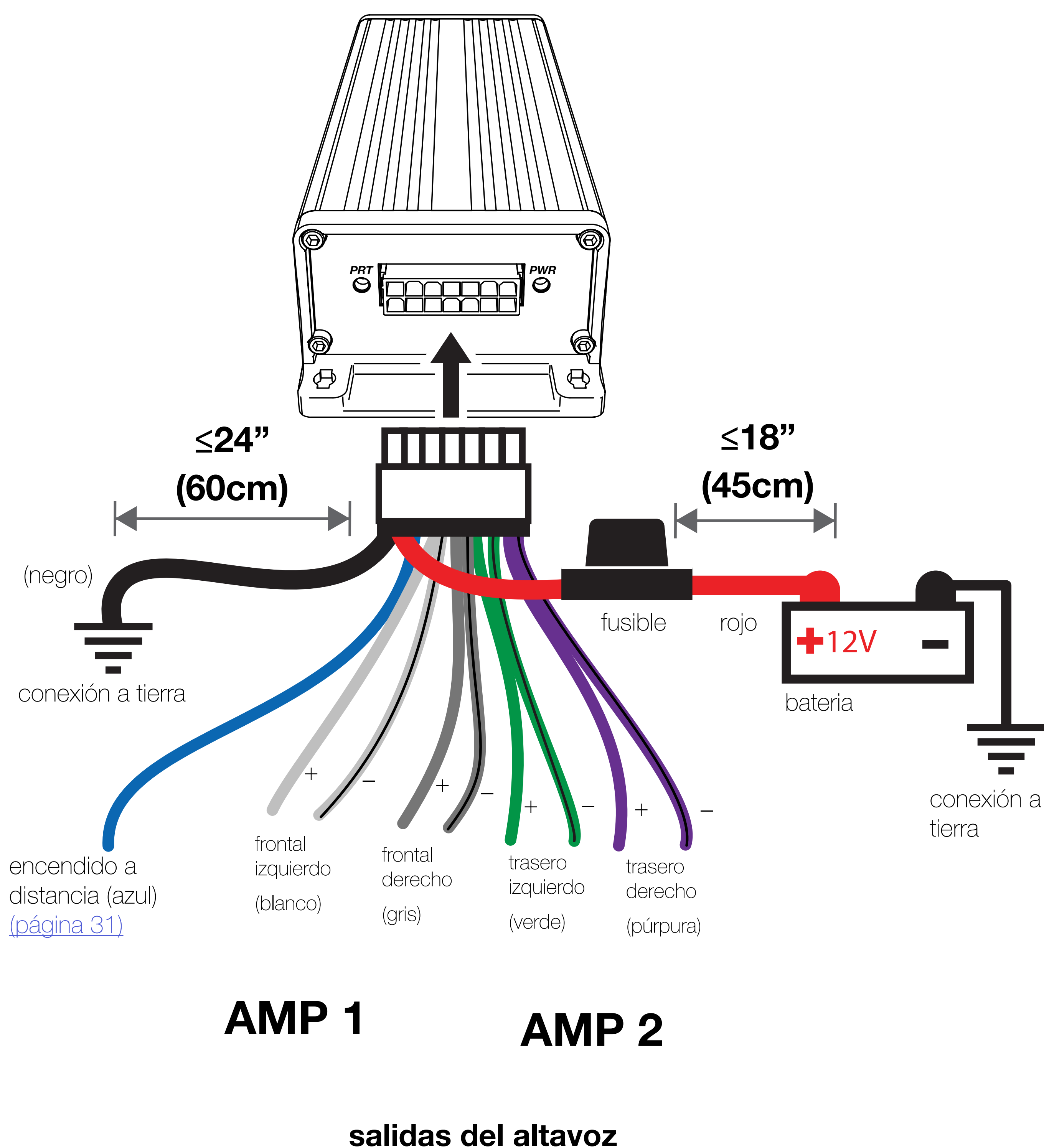
## Montaje

Escoja un lugar estructuralmente sólido para montar el amplificador KICKER. Asegúrese de que no haya nada por detrás de dónde van a entrar los tornillos. Escoja un lugar en que queden por lo menos 4 plg. (10 cm) de espacio abierto de ventilación alrededor del amplificador. Si es posible, monte el amplificador en el compartimiento de pasajeros, con ambiente acondicionado. Haga cuatro agujeros con una broca de 7/64 de plg. (3 mm) y monte el amplificador con los tornillos N° 8 que se suministran.

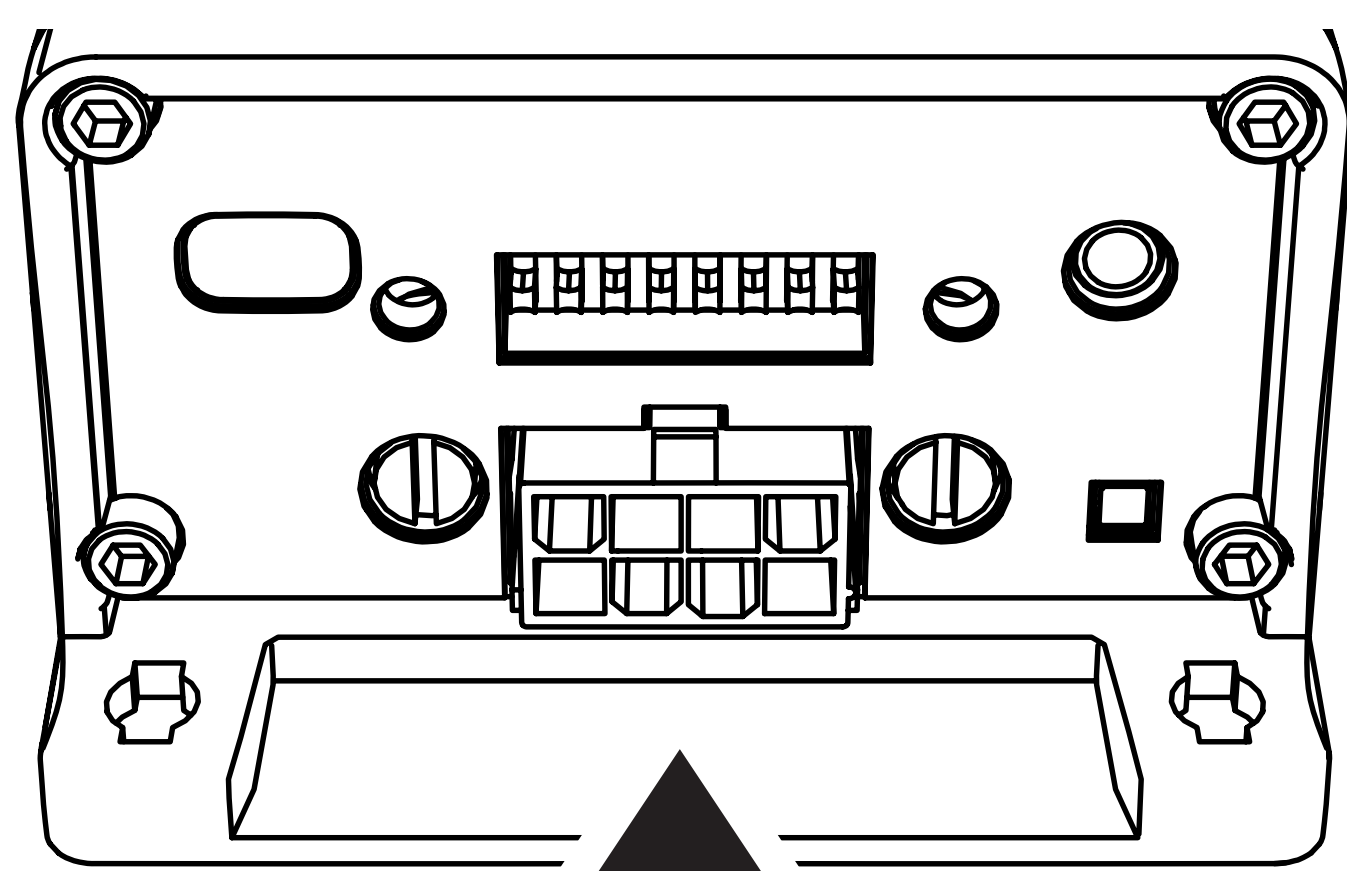


# Cableado

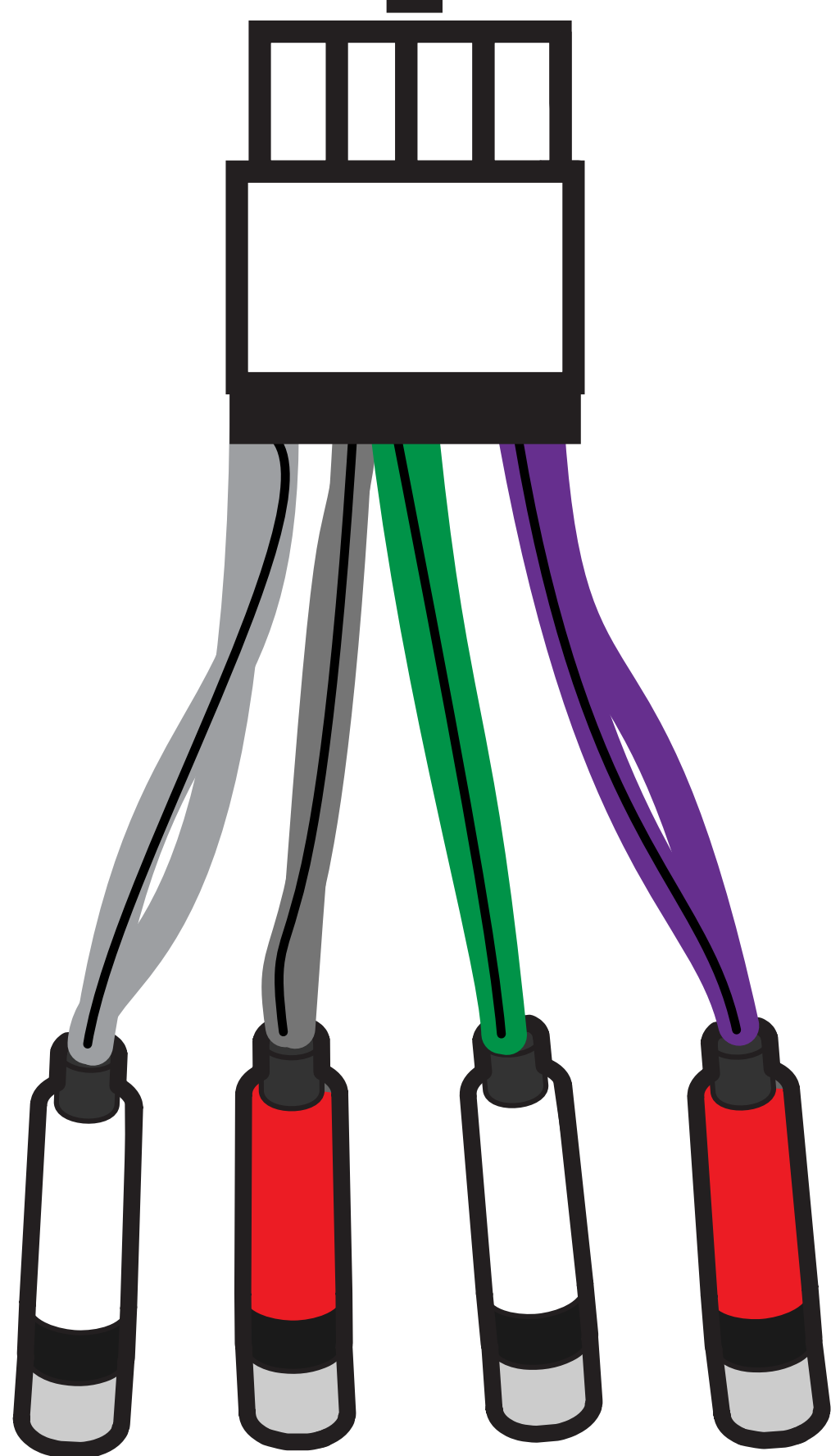
Desconecte la batería del vehículo para evitar un cortocircuito eléctrico. Luego conecte el cable de tierra al amplificador. Recorte el cable de tierra para que mida 24" (60 cm) o menos, y conéctelo a un área de metal sólida libre de pintura y corrosión del chasis del vehículo. Se recomienda agregar otro cable de tierra de esta longitud (o más largo) entre el polo negativo de la batería y el chasis del vehículo. Mantenga alejado el cable de señal de audio de los arneses de cables de fábrica y otros cables de alimentación. Si necesita cruzar estos cables, hágalo en un ángulo de 90 grados.



Corte el cable rojo de alimentación en bucle que se encuentra en el arnés de KEY y realice la instalación utilizando un fusible de 20 A. El fusible debe estar como máximo a 18" (45 cm) de distancia de la batería y en línea con el cable de alimentación del arnés, que se encuentra conectado a su amplificador. Si alguna vez necesita retirar el amplificador del vehículo después de haberlo instalado, el último cable que debe desconectar del amplificador es el cable de alimentación, lo contrario a lo que hizo cuando lo instaló. El amplificador KEY puede utilizar el cableado directamente de su unidad de control, pero para lograr los mejores resultados, se recomienda utilizar el cableado de tierra y alimentación de la batería y el chasis del vehículo. KICKER recomienda un cable calibre 14.



De ser necesario, desconecte las conexiones RCA para utilizar la entrada de alto nivel.



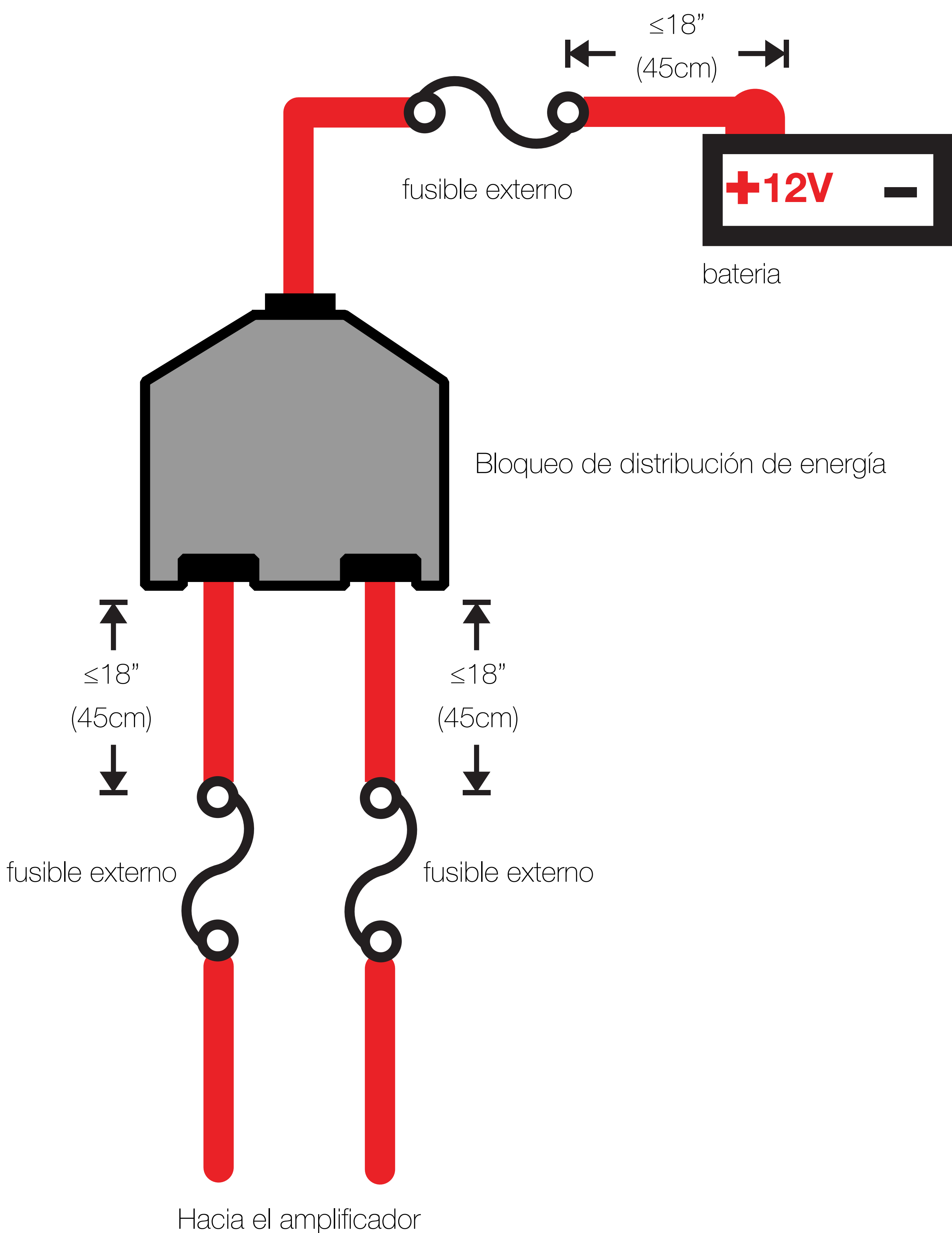
AMP1L  
blanco

AMP1R  
gris

AMP2L  
verde

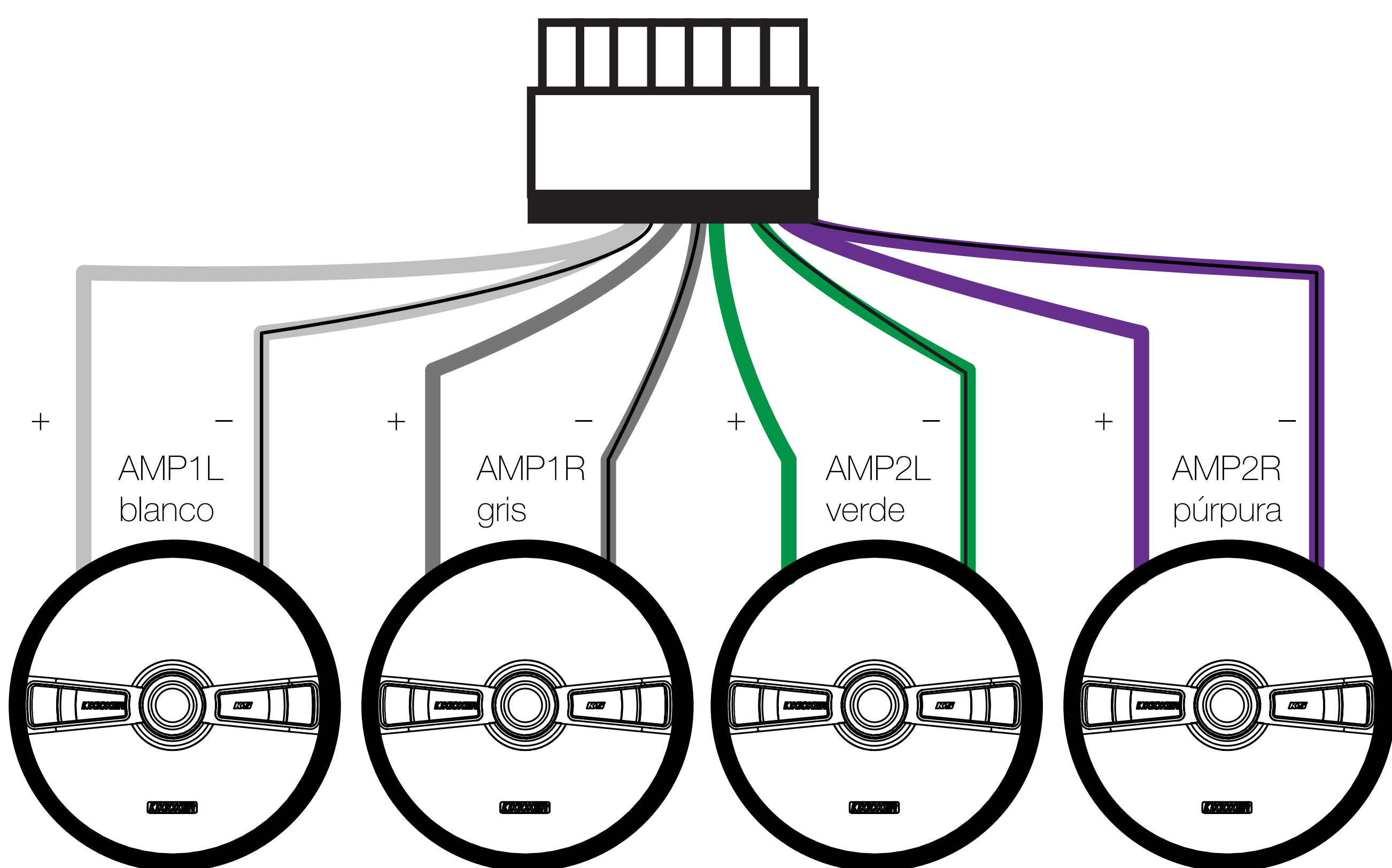
AMP2R  
púrpura

Para múltiples instalaciones de amplificadores en las que se utilicen bloques de distribución, cada amplificador debe tener su fusible, o interruptor, de la capacidad correcta instalado entre el amplificador y el bloque de distribución a una distancia máxima de 18 pulgadas del bloque, o bien en el bloque de distribución si provee conexión al fusible. El cable principal de energía también se debe fusionar entre la batería y el bloque de distribución, a una distancia máxima de 18 pulgadas de la terminal positiva de la batería, con un fusible o interruptor con capacidad al menos similar a la suma de los valores del fusible del amplificador, pero que no supere la capacidad de su cableado.



# FUNCIONAMIENTO ESTÁNDAR (RANGO COMPLETO)

impedancia mínima de 4 ohmios por canal



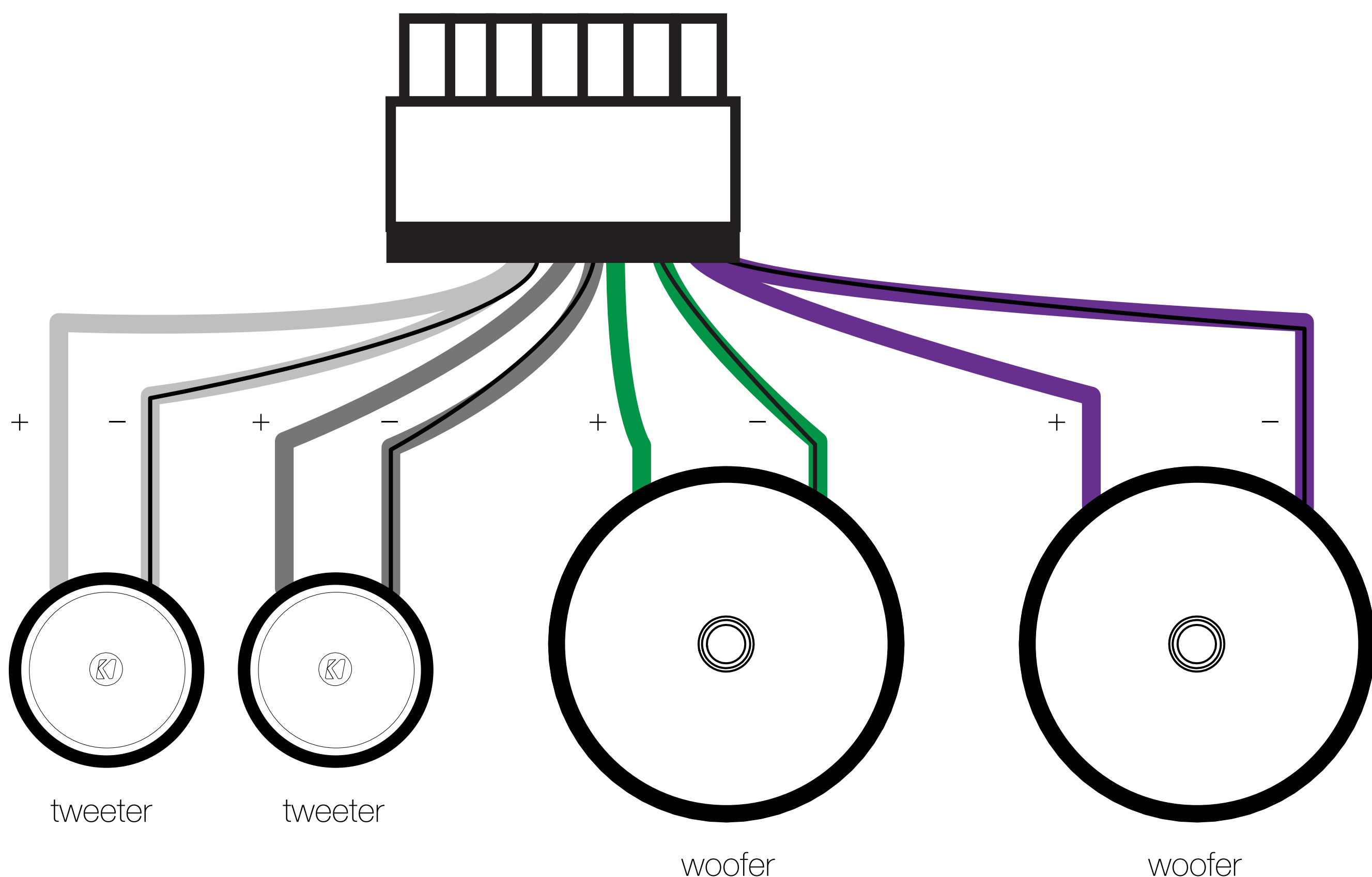
# FUNCIONAMIENTO CON BIAMPLIFICACIÓN (BI-AMP)

impedancia mínima de 4 ohmios por canal

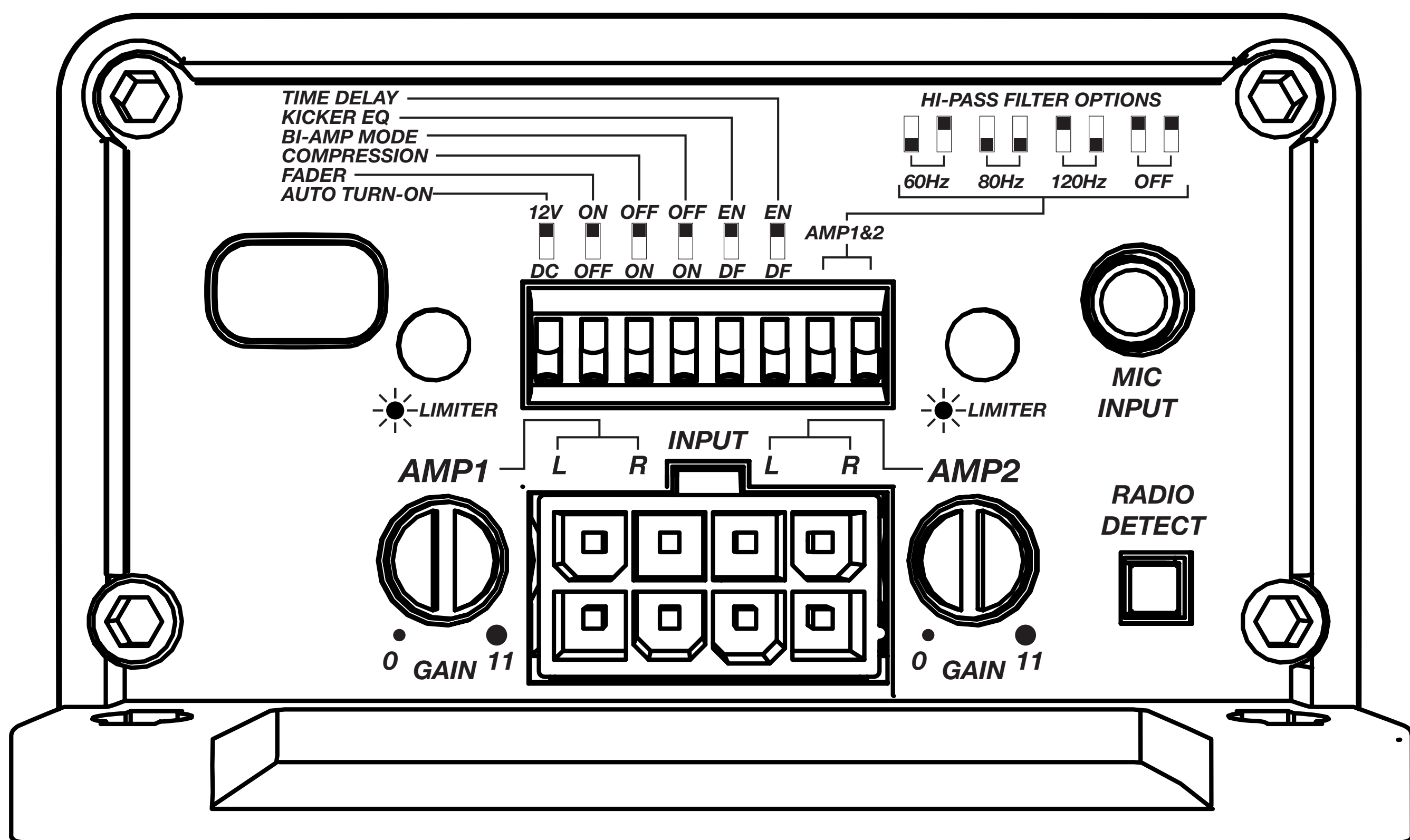
Los woofers se deben instalar en los canales traseros (AMP 2)

Los altavoces de alta frecuencia se deben instalar a los canales frontales (AMP 1)

¡El interruptor Bi-Amp debe estar encendido!



# Funcionamiento



## Características

**Selección de encendido automático:** La serie KEY ofrece dos modos distintos de encendido automático que se pueden seleccionar en el panel inferior; compensación de CC y de +12 V. Si se utiliza el modo Compensación de CC, hace que el cable REM tenga una salida de +12 V para encender amplificadores adicionales.

- Encendido remoto: Ajuste el interruptor en +12 V para utilizar el comando de encendido remoto desde su unidad fuente. Tienda un cable calibre 18 a través del comando de encendido remoto de su unidad fuente hasta el cable REM azul en el arnés de cableado del amplificador KEY. Este es el método preferido de encendido automático.
- Si no está disponible el encendido remoto de 12 V, se puede utilizar el encendido Compensación de CC si se están usando las salidas de audio a nivel del altavoz. El modo Compensación de CC detecta una compensación de CC de 3 V en los cables del altavoz cuando la unidad fuente se ha encendido.

**Detección de radio:** las entradas RCA en los amplificadores KICKER KEY pueden recibir señales de alto o bajo nivel de su unidad fuente. Si utiliza

entradas de alto nivel, pero su unidad fuente no puede detectar un sistema de audio presente o rechaza la reproducción de audio de uno o más altavoces, es posible que necesite encender la detección de radio. Esto activará un resistor de carga en las entradas del amplificador y comunicará a la unidad fuente la presencia de altavoces. NO utilice la detección de radio si usa una señal de entrada de bajo nivel; si lo hace, reducirá enormemente la señal de entrada.

**ATENUADOR:** Ajuste el interruptor del atenuador en encendido si ejecuta dos juegos de entradas (por ejemplo, frontales y traseras) en el amplificador. Mantenga apagado el interruptor del atenuador si desea ejecutar todos los canales desde una sola entrada estéreo.

**HI-PASS:** Utilice los interruptores HI-PASS (paso alto) del amplificador para configurar el crossover interno. Elija un corte de 60 Hz, 80 Hz, 120 Hz o apagado según la configuración de los interruptores.

**MODO BI-AMP:** La mayoría de los sistemas requieren que este interruptor esté APAGADO. Enciéndalo solo si sus altavoces están ajustados en modo “Bi-Amp” (consulte sobre el funcionamiento BI-AMP en la [página 30](#)). El modo Bi-Amp se debe utilizar específicamente sin crossovers pasivos. Los usos posibles son con altavoces de componentes (dos woofers y dos altavoces de alta frecuencia), o con woofers para puerta y altavoces para tablero. Una vez que el interruptor Bi-Amp está encendido, el amplificador KEY detectará automáticamente y aplicará las configuraciones de biamplificación durante la configuración automática de KEY:



- Woofers y altavoces de alta frecuencia: Paso alto de 3.2 kHz 24 dB/oct para los altavoces de alta frecuencia, paso bajo de 3.2 kHz para los woofers.
- Woofers y altavoces para tablero: 320 Hz 24 dB/oct High Pass para los altavoces para tablero, 640 Hz low pass para los woofers.

**TEMPORIZADOR:** Ajuste en “habilitar” (EN) la salida de todos los altavoces para que alcancen al conductor o a la ubicación del micrófono al mismo tiempo. Ponga en “rechazar” (DF) para desactivar el temporizador.

**ECUALIZADOR DE KICKER:** Ponga en “habilitar” (EN) para encender el ecualizador de KICKER (recomendado), ponga en “rechazar” (DF) para apagar el ecualizador de KICKER. Cuando esté apagado, la curva de la respuesta de frecuencia será plana.

**COMPRESIÓN:** Ponga en “habilitar” (EN) para encender la compresión automática, lo que reduce las señales de alta amplitud por encima de un determinado umbral, brinda una experiencia auditiva más consistente y protege su sistema de audio. Ponga en “rechazar” (DF) para apagar la compresión automática.

**Control de ganancia de entrada con sincronización de ganancia:** El control de ganancia de entrada no es un control de volumen. Sincroniza la salida de la unidad fuente con el nivel de entrada del amplificador, y cuenta con sincronización de ganancia para evitar que se recorte la entrada. Para una rápida instalación, suba el volumen de la unidad fuente a aproximadamente 3/4 (si la unidad fuente llega a 30, ajústelo a 25). KICKER recomienda utilizar los tonos de prueba disponibles en

[www.KICKER.com/support/](http://www.KICKER.com/support/) para lograr los ajustes más precisos y de mejor rendimiento. Luego, con las perillas de ganancia totalmente hacia abajo, gire lentamente (hacia la derecha) la ganancia hacia arriba hasta ver la luz LED del LIMITADOR o escuchar una distorsión perceptible, luego gírela un poco hacia abajo. Si aparece la luz LED del LIMITADOR, la entrada aún está recortada.

**Entrada del micrófono:** Conecte el micrófono incluido en la entrada de micrófono de 3.5 mm (1/8") y utilícelo junto con el proceso de configuración automática para configurar el ajuste de tiempo, el ecualizador KICKER y la sincronización de nivel de salida de manera automática. Instálelo hacia arriba al apoyacabezas, apuntando al techo lo más recto posible.

**LIMITADOR:** El LIMITADOR se puede activar por varias razones, como lo indican las luces LED del LIMITADOR. Esto es para proteger sus altavoces y permitir la reproducción continua. El LIMITADOR se puede activar durante:

- Arranque del motor: El KEY es un amplificador compatible con el arranque y la parada; no se apagará durante el arranque del motor. Cuando está arrancando su vehículo, se produce una bajada de tensión en la línea de +12 V. Para evitar que una señal de salida recortada llegue a sus altavoces, el LIMITADOR se activa durante ese momento. Si escucha a un nivel de volumen moderado o alto, puede ver que se encienden los indicadores del LIMITADOR durante el arranque del motor, y se apagan una vez que el motor está en funcionamiento.
- Baja tensión: Si la tensión operativa que alimenta al amplificador es inferior al nivel especificado para un funcionamiento a toda potencia (+10.8 V), puede ver que se encienden los indicadores del LIMITADOR a niveles de volumen de música moderados o altos.

- Sobrecarga de señal de entrada: Cuando la señal de entrada al amplificador hace que su salida supere la potencia nominal máxima, se activará el LIMITADOR para evitar un recorte severo. Esto puede suceder cuando el ajuste de ganancia o la señal de entrada es demasiado alta, o ambos. Reduzca la ganancia o la potencia de la señal de entrada.

El LIMITADOR se activa a medida que el amplificador alcanza y supera su máxima temperatura operativa, limitando la potencia del amplificador mientras aumenta la temperatura. Como consecuencia, la temperatura tardará más en aumentar hasta que se logre un equilibrio en que la temperatura no suba más, y la potencia de salida no se limite aún más. Esta protección no corta el audio abruptamente ni tampoco produce un audio recortado a los altavoces.

- Interruptor de compresión encendido: Para proteger sus altavoces de manera completa, puede encender el interruptor de compresión. Esto puede provocar que se active el LIMITADOR cada vez que el amplificador esté por producir una señal de audio recortada. Si la ganancia se ajusta correctamente y la fuente de audio no se recorta, esto protegerá a su sistema de audio de un mal uso.

# Configuración automática de KEY

El botón de activación de KEY es un botón multifunción adherido al micrófono incluido que iniciará el proceso de configuración automática, alternará entre el audio optimizado de la configuración automática y el audio original una vez que se haya completado el proceso de configuración automática, o borrará ajustes anteriores de la configuración automática.

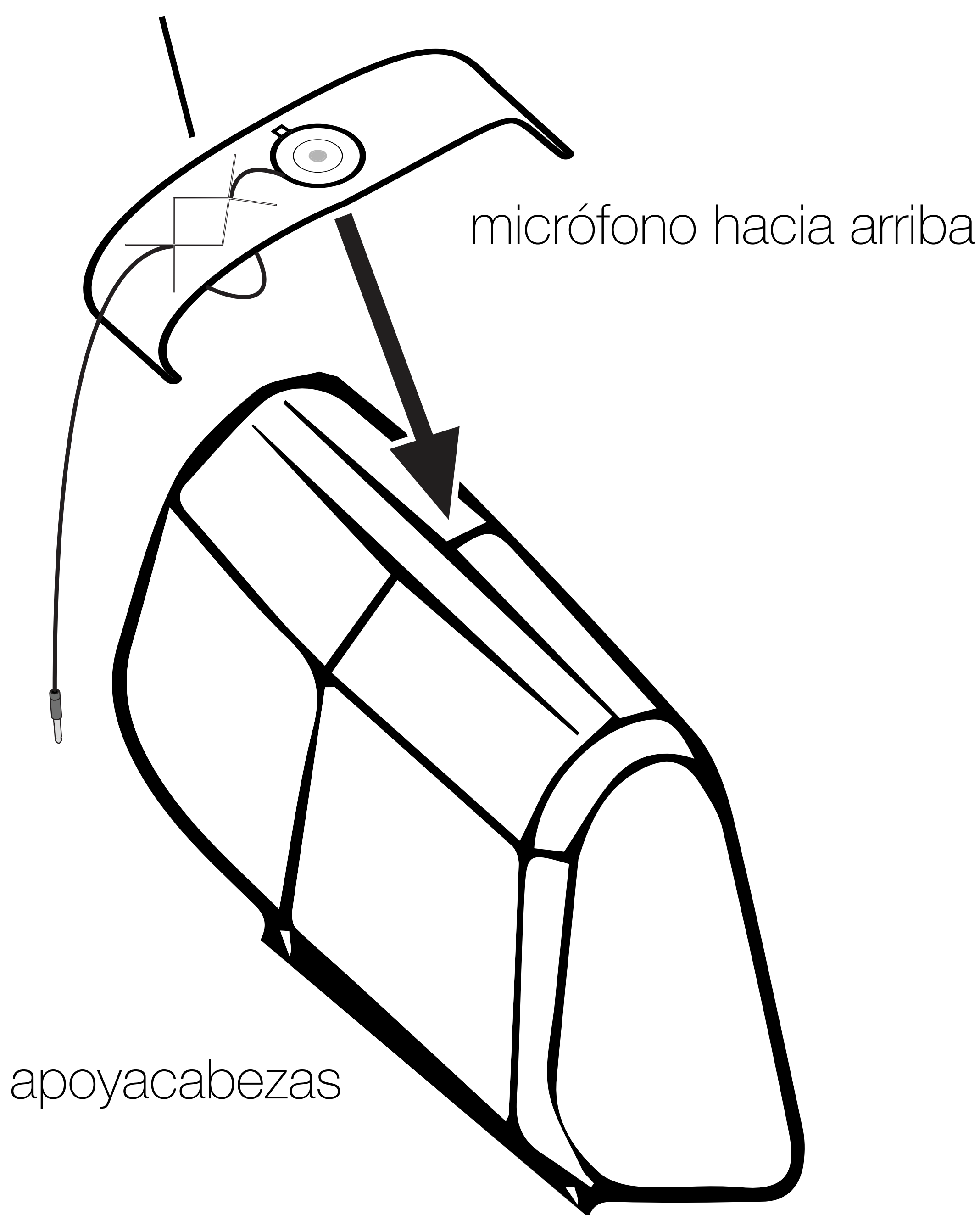
La configuración automática consiste en varios pasos de afinación, como ecualización de altavoces individuales, ecualizador KICKER, temporizador y adecuación de sensibilidad del altavoz. Si se rechaza un ajuste con los interruptores DIP en el panel de KEY, los ajustes se registrarán en la memoria y se pueden aplicar o eliminar. Si se cambian las posiciones de los interruptores DIP, no se requiere ejecutar una nueva configuración automática.

Deberá cargar una fuente para ruido rosa desde su unidad de control, ya sea CD, MP3, AUX, Bluetooth, USB, etc. Se recomienda un audio descomprimido para lograr mejores resultados, ya que esto garantizará una total amplitud en el espectro de frecuencias (20 Hz–20 kHz). Visite [www.kicker.com/tech](http://www.kicker.com/tech) para descargar el perfil de ruido rosa que mejor se adapte a sus hábitos auditivos.

**1.** Ajuste las ganancias del amplificador KEY (AMP-1 y AMP-2) al mínimo (completamente hacia la izquierda). Ajuste la cadena de señal, como el ecualizador en su unidad de control, en desactivada o plana. Desconecte cualquier altavoz o subwoofer que no esté conectado al amplificador KEY, de fábrica o genérico.

**2.** Cierre las ventanillas del auto, apague el motor y el sistema de climatización. Instale el micrófono en la parte superior del apoyacabezas del conductor. Asegúrese de que el micrófono esté hacia arriba, apuntando al techo lo más recto posible.

cable de micrófono



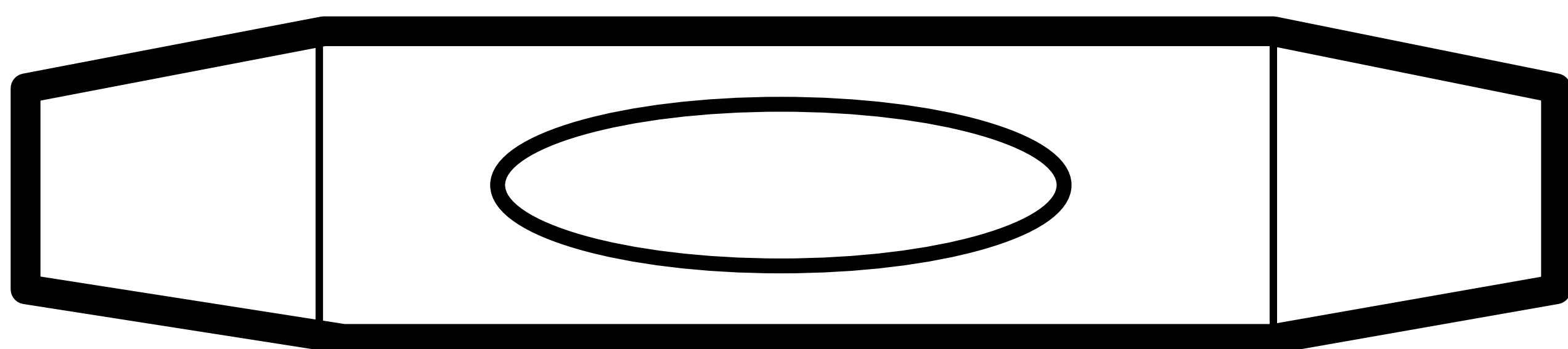
**3.** En muchos casos, el interruptor Bi-Amp debe estar apagado. Verifique si necesita encender el interruptor Bi-Amp. Para más información, consulte la [página 30](#).

**4.** Inicie el ruido rosa. Ajuste el volumen del ruido rosa a un nivel superior al de una conversación (un poco ruidoso) utilizando el control de volumen de su fuente de audio (generalmente la unidad de control).

**5.** Comience la configuración automática al presionar rápidamente el botón de activación de KEY. Una

vez iniciada, escuchará tonos repetitivos (bips) que indican que debe salir del vehículo y cerrar la puerta. Tendrá 10 segundos hasta que comience el proceso. Los bips y los sonidos durante la configuración automática de KEY pueden ser ruidosos. Por su seguridad, ¡no permanezca dentro del vehículo!

botón de activación de KEY



**6.** Una vez que se ha completado esta configuración, escuchará una música agradable que indica que la configuración fue exitosa. Puede presionar rápidamente el botón de activación de KEY para alternar entre el audio original no optimizado o volver a aplicar el audio optimizado de KEY.

Una vez que se completó exitosamente, si desea eliminar los ajustes de la configuración automática y revertir el amplificador KEY a “limpio”, mantenga presionado el botón de activación de KEY durante 10 segundos. Escuchará un bip largo. Luego puede repetir el proceso de configuración automática si lo desea.

Si el proceso de configuración automática no se completa de manera exitosa, escuchará una música triste seguida de unos bips que representan un código de error. Cuente la cantidad de bips, que serán entre 1 y 6, y consulte la sección de Resolución de problemas. Una vez que haya determinado la causa, puede presionar rápidamente el botón de activación de KEY para ejecutar nuevamente el proceso de configuración automática.

# Pregunta Frecuentes Sobre la Configuración Automática

P: ¿Cuán silencioso debe ser el ruido ambiental para que la configuración automática se realice de manera adecuada?

R: Lo más silencioso posible, ya sea dentro como fuera del vehículo. El sistema de climatización debe estar apagado y las ventanillas cerradas, con tan pocas obstrucciones como sea posible dentro del vehículo. Los ruidos de frecuencia más baja interfieren más que los ruidos de frecuencia más alta. En el caso de que exista demasiado ruido ambiental, el programa de configuración automática se detendrá con una música triste y un código de error n. ° 6.

P: ¿Puedo instalar más de un amplificador KEY en mi auto?

R: Sí, pero el programa de configuración automática está diseñado para optimizar solo el entorno acústico frontal. Solo un amplificador KEY puede utilizar la función de configuración automática.

P: ¿Puedo utilizar el amplificador KEY con un subwoofer?:

R: Sí, pero debe tener cuidado. Asegúrese de desconectar su subwoofer antes del proceso de configuración automática. El subwoofer debe permanecer en silencio durante la configuración automática para que el amplificador KEY pueda escuchar cómo suenan los altavoces del auto sin interferencia.

Una vez que se completa la configuración automática de manera exitosa, puede volver a conectar el subwoofer y utilizar los interruptores del crossover en el amplificador KEY para aplicar un paso alto adecuado a sus altavoces con el fin de

sincronizarlos con su subwoofer. Si se ha olvidado de desconectar su subwoofer y reproduce ruido rosa durante la configuración automática, el programa de configuración automática se detendrá con música triste y el código de error n. ° 6.

P: ¿Cómo funciona el crossover en el amplificador KEY?

R: En el caso de no haberse realizado la configuración automática, o si dicho proceso se realizó para altavoces de rango completo (en la mayoría de los casos), el crossover de paso alto Linkwitz-Riley de 24 dB/octava se aplicará a todos los altavoces. El usuario puede seleccionar este crossover a través de los interruptores DIP con las siguientes opciones: apagado, 60 Hz, 80 Hz o 120 Hz.

En el caso de un sistema Bi-Amp con woofers y altavoces de alta frecuencia, el usuario puede seleccionar el paso alto del altavoz para puerta y el paso bajo es 3.2 kHz 24 dB/octava. El paso alto del altavoz de alta frecuencia también es 3.2 kHz 24 db/octava.

En el caso de un sistema Bi-Amp con woofers para puerta y tablero, el usuario puede seleccionar el paso alto del woofer para puerta y el paso bajo es 640 Hz 24 dB/octava. El paso alto del woofer para tablero es 320 Hz 24 db/octava. La superposición del paso bajo de 640 Hz con el paso alto de 320 Hz se realiza a propósito para enriquecer el rango medio. El ecualizador automático se encarga de los excesos de recortes que pueden ocurrir dentro de este rango.

P: Mi programa de configuración automática no se completó con éxito; recibo una música triste y bips al final. ¿Qué significa?



R: Los bips al final son los códigos de error del programa de configuración automática. Si falla, cuente la cantidad de bips después de la música triste y resuelva el problema con la siguiente información.

P: El proceso de configuración automática se completó con éxito, pero no me agrada el sonido. ¿Qué otros pasos debo seguir?

R: Asegúrese de que todos los altavoces conectados al amplificador KEY estén conectados entre sí en fase. Verifique la parte de cableado tanto del amplificador como del altavoz.

Visite [www.kicker.com/tech](http://www.kicker.com/tech) para descargar el perfil de ruido rosa que mejor se adapte a sus hábitos auditivos.

# Códigos de error

Cantidad de bips	Razón	Acción de resolución de problemas
1	Se detectó el altavoz de alta frecuencia, pero el interruptor BI-AMP está apagado	Active el interruptor BI-AMP
2	El interruptor BI-AMP está encendido, pero no hay sonido en un canal	Asegúrese de que todos los cables estén conectados a los canales correctos del amplificador.
3	Falló el temporizador automático - posible bloqueo o altavoz desconectado	Verifique las conexiones del altavoz para ver si hay un cable desconectado. Evite los obstáculos físicos. Posible falla en el altavoz.
4	Falló el ecualizador automático	Asegúrese de que esté cargado el ruido rosa y se reproduzca en la unidad de control a un volumen adecuadamente alto.
5	Falló la corrección de sensibilidad frontal/trasera	Verifique las conexiones del altavoz para ver si hay un cable desconectado. Evite los obstáculos físicos. Posible falla en el altavoz.
6	Demasiado ruido ambiental	Verifique si hay algún subwoofer desconectado, si el motor está apagado, las ventanillas y las puertas están cerradas, y el ruido exterior es mínimo.

# Resolución de Problemas

Si su amplificador parece no estar funcionando, revise lo obvio primero: fusibles quemados, conexiones malas o incorrectas, posición incorrecta de los selectores de crossover y amplificación, etc. Su amplificador modelo KX de KICKER cuenta con los LED de protección (PRT) y de encendido (PWR) en el panel de alimentación lateral. Dependiendo del estado del amplificador y del sistema de carga del vehículo, los LED se iluminarán en verde o en rojo. Cuando el LED se ilumina en verde, indica que el amplificador está encendido y no hay ningún problema.

**¿El indicador luminoso LED verde está apagado y no hay salida?** Con un voltímetro/ohmímetro (VOM), verifique lo siguiente: ❶ Hay +12V en la terminal de alimentación (debe leerse entre +12V y +16V). ❷ Hay +12V en la terminal de encendido a distancia (debe leerse entre +12V y +16V). ❸ No hay conexiones invertidas de alimentación o conexión a tierra. ❹ La terminal de conexión a tierra tiene la conductividad adecuada. ❺ No hay fusibles quemados.

**¿El Indicador luminoso LED verde está encendido y no hay salida?** Verifique lo siguiente: ❶ Las conexiones RCA están bien. ❷ Las salidas de altavoces están bien pues han sido puestas a prueba con un altavoz en buenas condiciones. ❸ Se ha cambiado la unidad fuente por una unidad fuente en buenas condiciones. ❹ Con un medidor VOM configurado para medir voltaje de “CA”, se ha buscado una señal en el cable RCA que alimenta el amplificador.

**¿El indicador luminoso LED de “protection” destella con la música fuerte?** El indicador luminoso LED rojo indica que hay bajo voltaje de batería. Revise todas las conexiones del sistema de carga eléctrica del vehículo. Puede ser necesario cambiar o cargar la batería del vehículo o cambiar el alternador del vehículo.

**¿El indicador luminoso LED de “protection” está encendido y no hay salida?** ❶ El amplificador está muy caliente = Se ha activado el circuito de protección térmica. Con un medidor VOM, compruebe que las terminales de altavoz tengan la impedancia correcta (vea en este manual los diagramas que contienen datos de impedancia mínima recomendada y sugerencias de cableado de varios altavoces). Asegúrese también de que haya un flujo de aire adecuado alrededor del amplificador. ❷ El amplificador se apaga sólo cuando el vehículo está en marcha = Se ha activado el circuito de protección contra sobrevoltaje. El voltaje al amplificador no está dentro del intervalo de funcionamiento de 10V a 16V. Haga inspeccionar el sistema eléctrico y de carga eléctrica del automóvil. ❸ El amplificador sólo funciona a bajo volumen = Se ha activado el circuito de protección contra cortocircuitos. Asegúrese de que los cables de los altavoces no estén en cortocircuito entre sí o con el chasis del vehículo. Vea si hay altavoces dañados o funcionando a menos de la impedancia mínima recomendada.

**¿Qué sucede si se enciende la luz LED del LIMITADOR?** ❶ Sobrecarga de señal de entrada o la ganancia configurada es demasiado alta: Reduzca la ganancia o la potencia de la señal de entrada. ❷ Se activa la protección térmica debido a la temperatura del disipador de calor. Mantenga el amplificador en una cabina que lo proteja del clima, fuera de la exposición directa a la luz solar o en un área mejor ventilada. ❸ Bajo voltaje de entrada (línea de +12 V): Verifique los cables de alimentación y el voltaje de la batería. ❹ El interruptor de compresión está encendido: si no lo desea, apáguelo.

**¿No hay salida de uno de los canales?** ❶ Revise el control de balance de la unidad fuente. ❷ Revise las conexiones RCA (o de entrada de altavoz) y de salida de altavoz del canal. ❸ Si utiliza una señal de nivel bajo, asegúrese de que Radio Detect esté desactivado. ❹ Verifique el nivel de volumen de su unidad fuente, para incluir el nivel de volumen de cualquier teléfono o reproductor MP3 que esté conectado.

**¿Hay ruido sibilante de alternador asociado a las RPM del motor?** ❶ Vea si hay algún cable RCA (o de entrada de altavoz) dañado. ❷ Revise el encaminamiento del cable RCA (o de entrada de altavoz). ❸ Vea si la unidad fuente tiene conexión a tierra apropiada. ❹ Revise las configuraciones de amplificación y bájelas si están muy altas.

**¿Hay baja respuesta de bajos?** Invierta la conexión de uno de los altavoces de positiva a negativa en los canales estereofónicos y/o de subwoofer; si los bajos mejoran, el altavoz estaba fuera de fase.

**PRECAUCIÓN:** Cuando haga arrancar el vehículo con cables de arranque conectados a una batería externa, asegúrese de que las conexiones de los cables de arranque sean correctas. Conectar los cables de arranque de manera incorrecta puede quemar los fusibles del amplificador y causar fallas en otros sistemas del vehículo.

Si tiene más preguntas sobre la instalación de su nuevo producto KICKER, vaya al distribuidor autorizado de KICKER donde lo compró. Si necesita más consejos sobre la instalación, haga clic en la lengüeta SUPPORT (apoyo) de la página Web de KICKER, [www.KICKER.com](http://www.KICKER.com). Escoja la lengüeta TECHNICAL SUPPORT (apoyo técnico), escoja el tema que le interese y luego descargue o vea la información correspondiente. Envíe un mensaje por correo electrónico a [support@KICKER.com](mailto:support@KICKER.com) o comuníquese con Servicios Técnicos llamando al (405) 624-8583 si tiene preguntas específicas o a las cuales no haya encontrado respuesta.

Présentation .....	45
Performance .....	46
Installation .....	47
Montage .....	47
Branchement .....	48
Utilisation .....	52
Caractéristiques .....	52
Auto-Configuration du KEY...	57
FAQ Sur l'auto-configuration	60
Codes d'erreur .....	62
Dépannage .....	63

# Présentation

---

**AVERTISSEMENT DE SÉCURITÉ IMPORTANT :** UN FONCTIONNEMENT CONTINU ET PROLONGÉ D'UN AMPLIFICATEUR EN DISTORSION OU EN SATURATION PEUT PROVOQUER LA SURCHAUFFE DE VOTRE SYSTÈME AUDIO, UN POTENTIEL DÉPART D'INCENDIE ET SÉRIEUSEMENT ENDOMMAGER VOS COMPOSANTS ET/OU VOTRE VÉHICULE. LES PRODUITS KICKER PEUVENT PRODUIRE DES NIVEAUX SONORES SUSCEPTIBLES D'ENDOMMAGER L'OUÏE DE FAÇON IRRÉVERSIBLE ! L'AUGMENTATION DU VOLUME D'UN SYSTÈME JUSQU'À UN NIVEAU PRÉSENTANT UNE DISTORSION AUDIBLE ENDOMMAGE DAVANTAGE L'OUÏE QUE L'ÉCOUTE D'UN SYSTÈME SANS DISTORSION AU MÊME VOLUME. LE SEUIL DE LA DOULEUR EST TOUJOURS LE SIGNE QUE LE NIVEAU SONORE EST TROP ÉLEVÉ ET RISQUE D'ENDOMMAGER L'OUÏE DE FAÇON IRRÉVERSIBLE. RÉGLEZ LE VOLUME EN FAISANT PREUVE DE BON SENS. LES HAUT-PARLEURS KICKER ONT LA CAPACITÉ DE PRODUIRE DES NIVEAUX SONORES POUVANT ENDOMMAGER L'OUÏE DE FAÇON IRRÉVERSIBLE ! L'AUGMENTATION DU VOLUME D'UN SYSTÈME JUSQU'À UN NIVEAU PRÉSENTANT UNE DISTORSION AUDIBLE ENDOMMAGE DAVANTAGE L'OUÏE QUE L'ÉCOUTE D'UN SYSTÈME SANS DISTORSION AU MÊME VOLUME. LE SEUIL DE LA DOULEUR EST TOUJOURS LE SIGNE QUE LE NIVEAU SONORE EST TROP ÉLEVÉ ET RISQUE D'ENDOMMAGER L'OUÏE DE FAÇON IRRÉVERSIBLE. RÉGLEZ LE VOLUME EN FAISANT PREUVE DE BON SENS!

Le KEY améliore automatiquement la qualité du son dans votre véhicule, juste en appuyant sur un bouton ! Insufflez une nouvelle vie et du réalisme dans n'importe quel système audio avec ce petit amplificateur puissant associé à un processeur acoustique. Un simple calibrage audio automatique en une étape vous permettra d'améliorer notablement la qualité audio et la scène sonore en quelques minutes. Préparez-vous à faire l'expérience d'un son de qualité symphonique, que vous utilisiez des haut-parleurs et une radio d'origine, ou des produits de rechange.

# Performance

**Modèle:**

**KEY200.4**

Puissance RMS, **AMP1** and **AMP2**

@ 14.4V, 4Ω stereo, ≤ 1% THD+N

50W x 4

Longueur [po, cm]

7-3/8, 18.7

Hauteur [po, cm]

1-11/16, 4.3

Largeur [po, cm]

2-3/4, 7

Réponse en fréquence [Hz]

**AMPS 1-2:** 20Hz–20kHz

Rapport signal-bruit [dB]

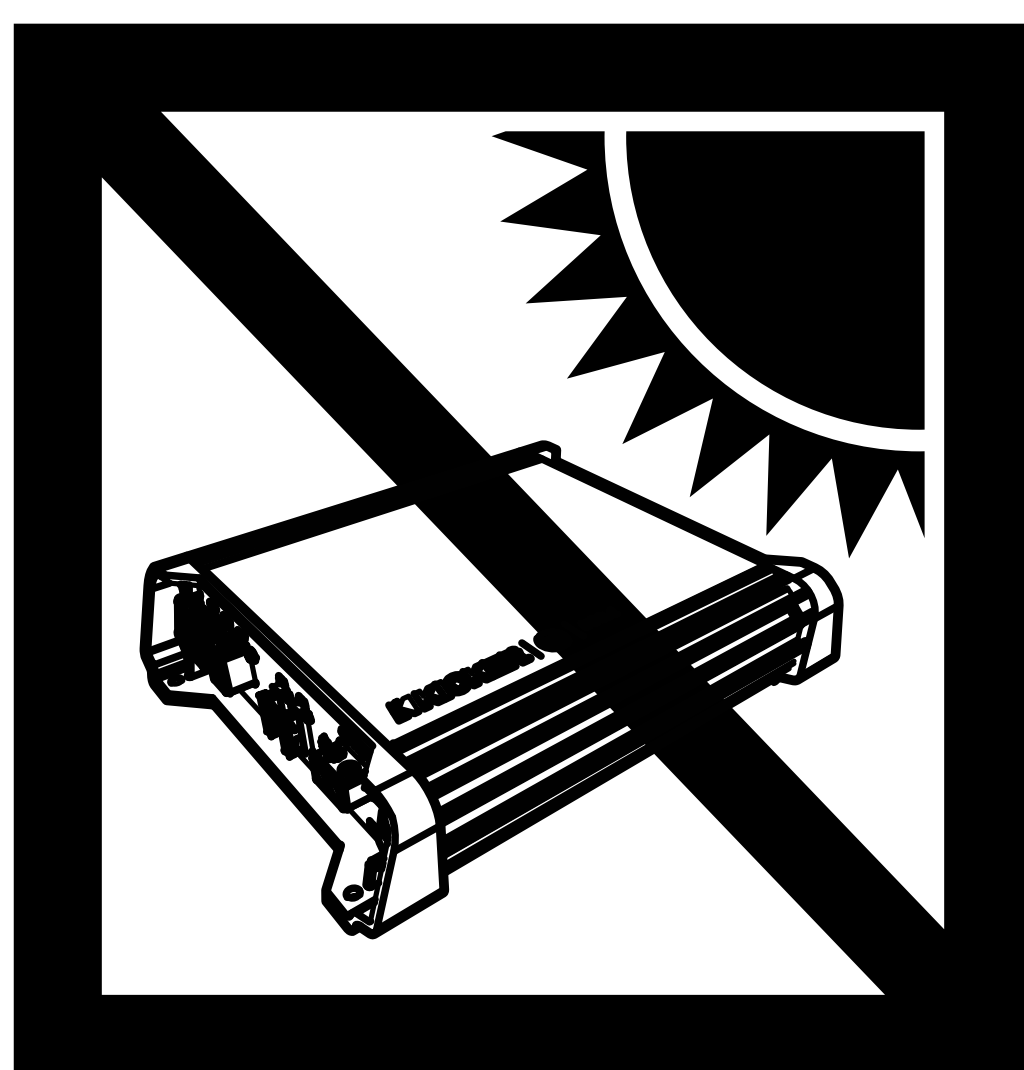
>90dB, A-weighted, re:  
puissance nominale

Sensibilité d'Entrée

250mV–10V

Crossover électronique sélectionnable

OFF, HI-PASS 60Hz, 80Hz,  
or 120Hz; 24dB/octave

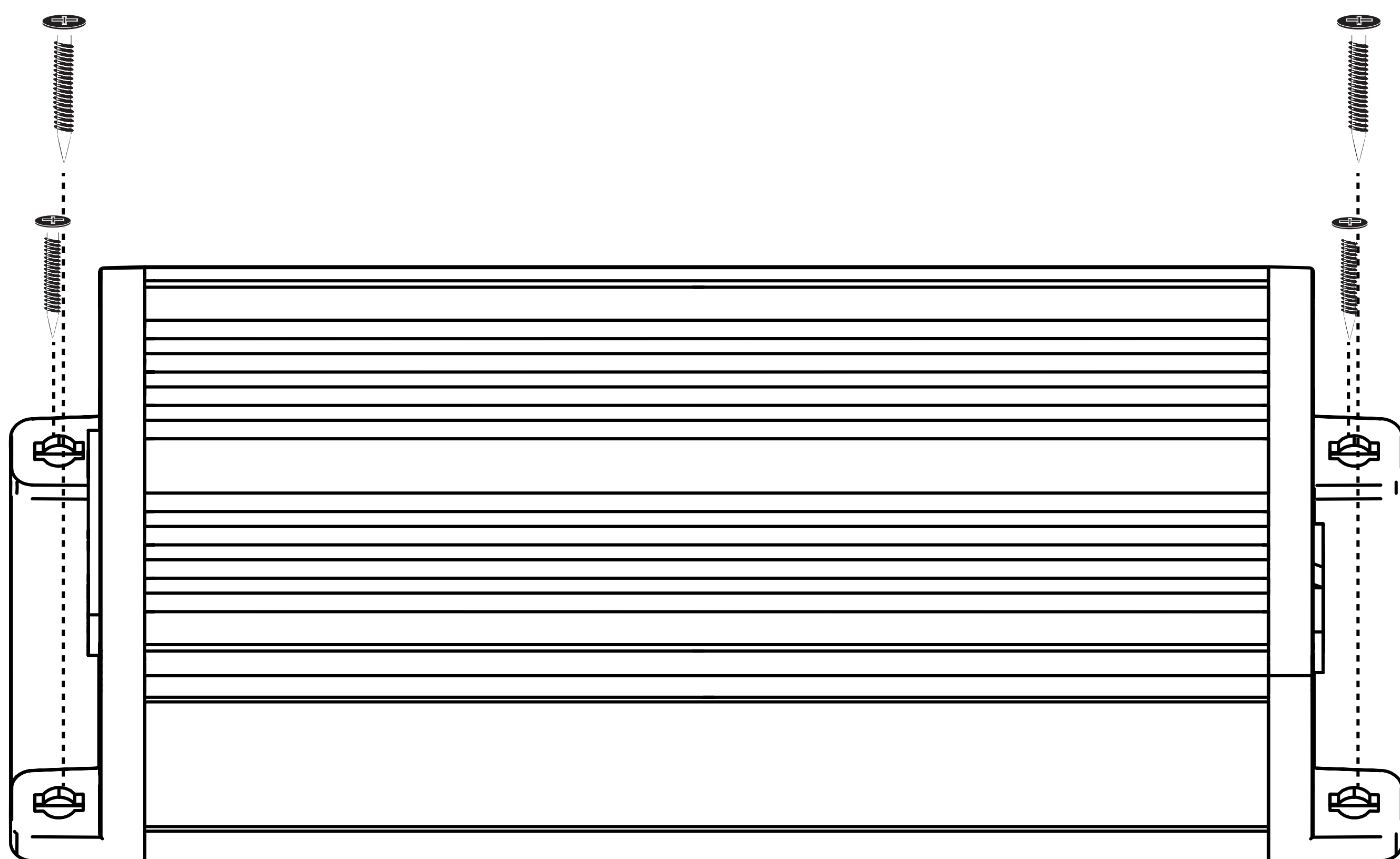


# Installation

## Montage

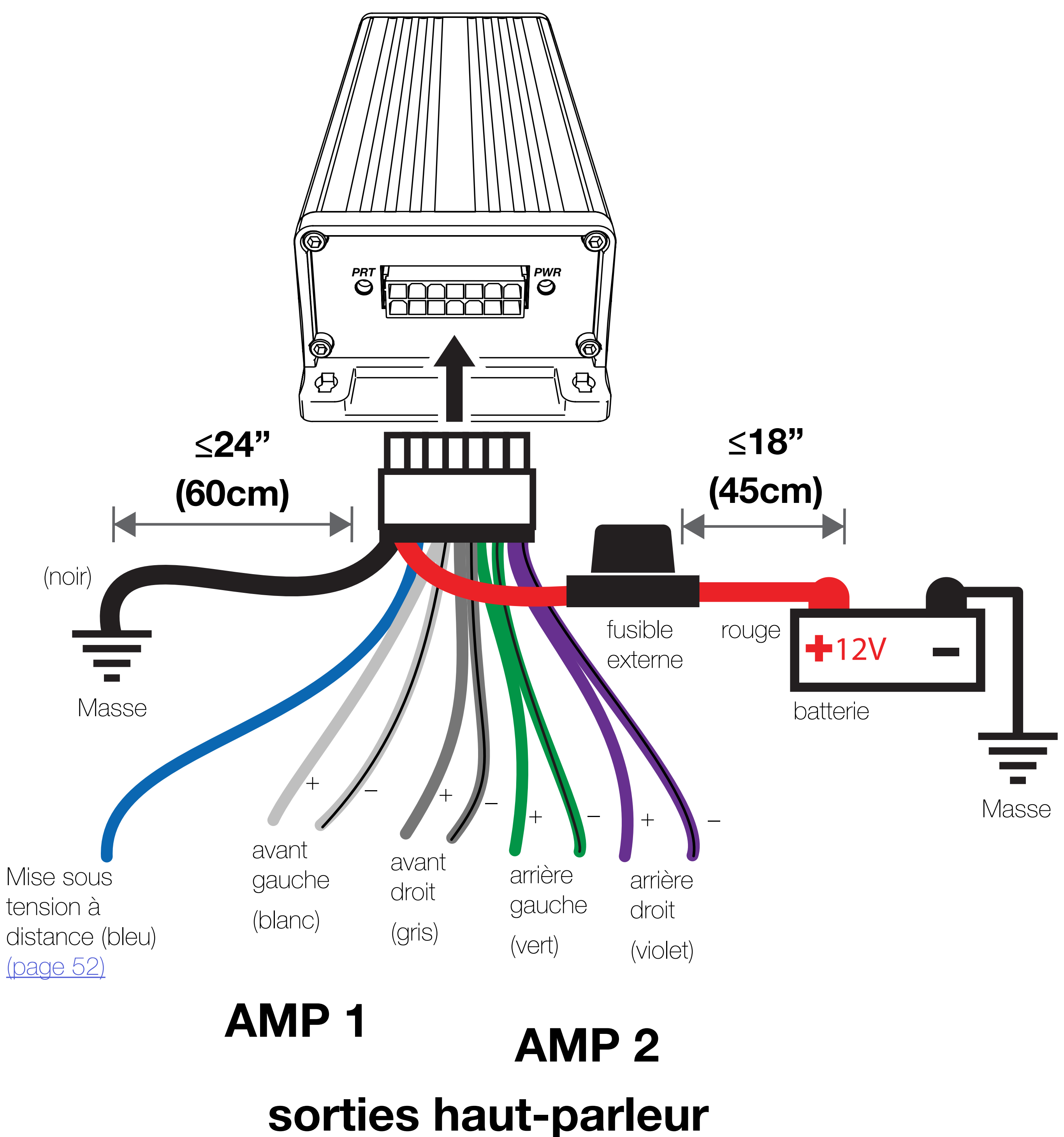
Choisissez un emplacement de structure saine pour monter votre amplificateur KICKER. Assurez-vous que l'arrière de l'emplacement où vous allez enfoncer les vis ne comporte aucun élément.

Choisissez un endroit assurant au moins 10 cm (4 po) de dégagement de ventilation ouverte pour l'amplificateur. Si possible, montez l'amplificateur dans l'habitacle passager climatisé. Percez quatre trous à l'aide d'un foret de 3 mm (7/64 po) et utilisez les vis n° 8 fournies pour monter l'amplificateur.



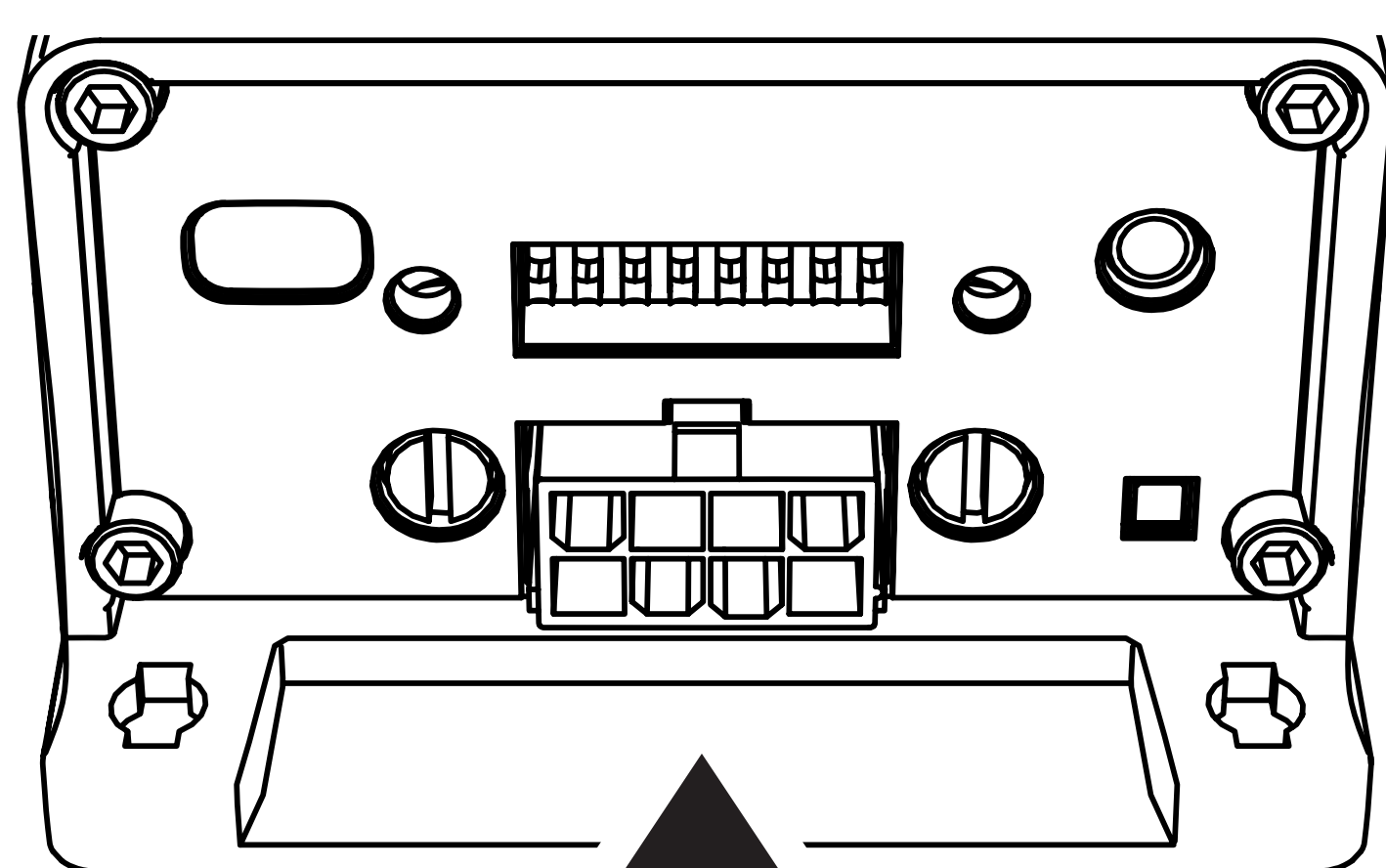
# Branchement

débranchez la batterie du véhicule pour éviter tout court-circuit. Puis reliez le fil de terre à l'amplificateur. Prenez un fil de terre court, 60 cm (24 po.) ou moins, et branchez-le à un endroit métallique, solide, exempt de peinture et de corrosion sur le châssis du véhicule. Il est recommandé d'ajouter un deuxième fil de raccordement à la terre du même calibre (ou plus grand) entre la borne négative de la batterie et le châssis du véhicule. Tenez le câble du signal audio à l'écart des faisceaux de câble et des autres câbles d'alimentation. Si vous devez croiser les branchements, faites-le à angle droit.





Coupez le câble d'alimentation rouge à boucle situé sur le faisceau du KEY et procédez à l'installation avec le fusible 20 A. Le fusible doit se trouver à moins de 45 cm (18 po.) de la batterie et aligné avec le câble d'alimentation du faisceau qui est branché à votre amplificateur. Si vous devez retirer l'amplificateur du véhicule après son installation, le fil de terre doit être le dernier branchement retiré de l'amplificateur, dans le sens inverse de son installation. L'amplificateur KEY peut se raccorder directement au branchement de votre unité principale. Il est recommandé pour de meilleurs résultats d'utiliser les câbles d'alimentation et de liaison à la terre de la batterie du véhicule et du châssis. KICKER recommande un fil de calibre 14.



AMP1L  
blanc

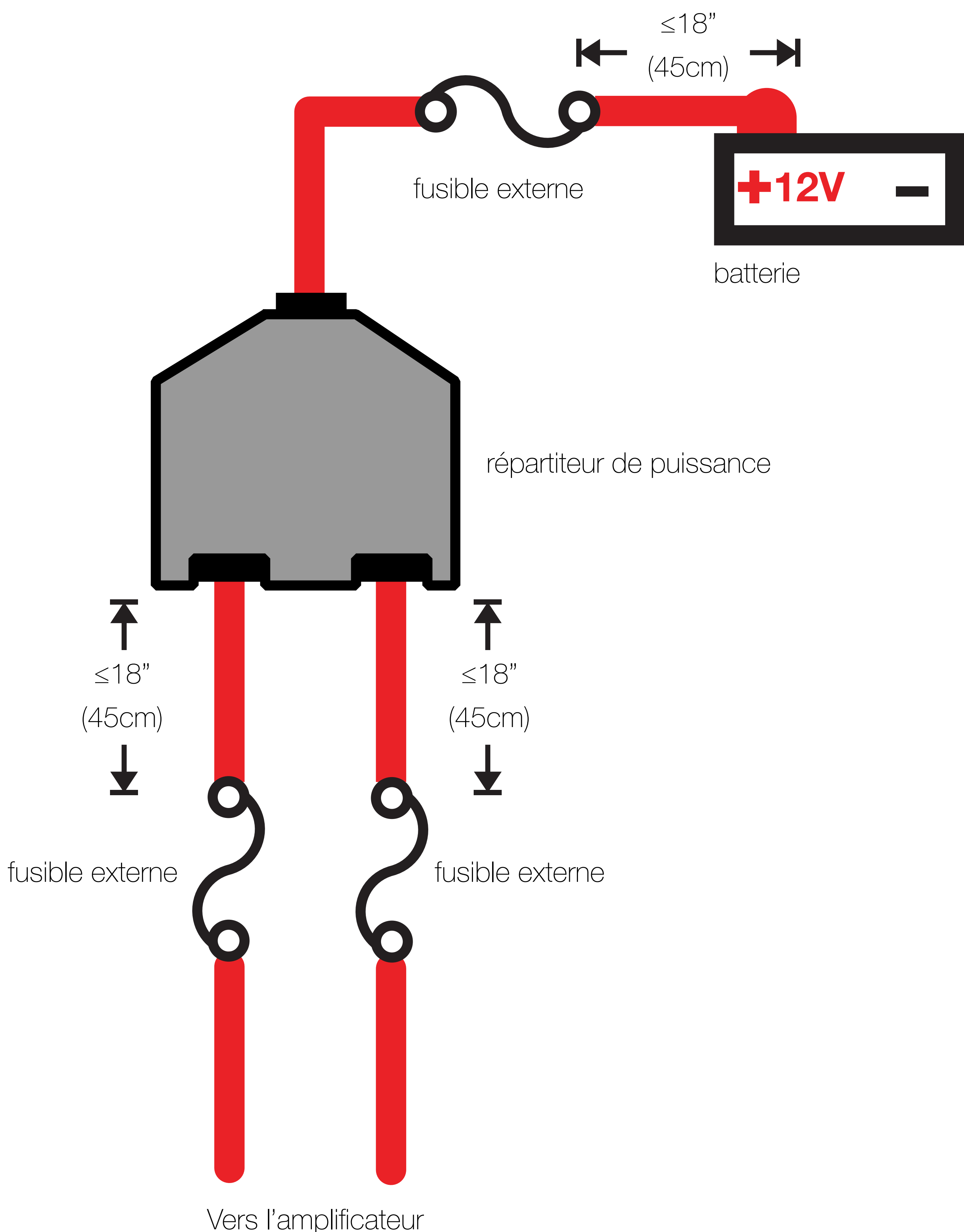
AMP1R  
gris

AMP2L  
vert

AMP2R  
violet

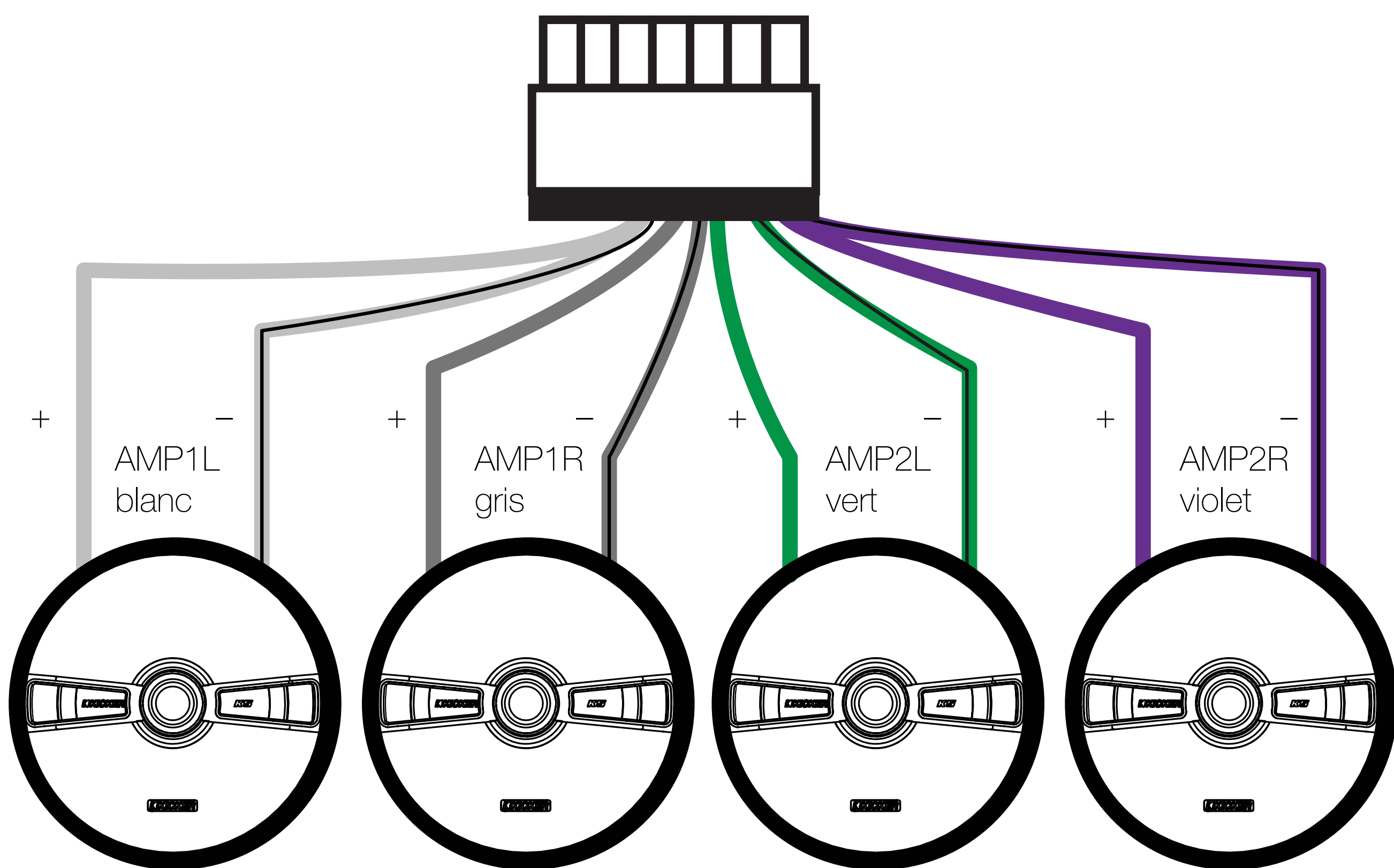
Coupez, au besoin,  
les connexions  
RCA pour utiliser  
une entrée haute.

Pour les installations comportant plusieurs amplificateurs, dans lesquels des blocs de distribution sont utilisés, chaque amplificateur doit posséder son propre fusible ou disjoncteur de calibre approprié, installé entre l'amplificateur et le bloc de distribution, à moins de 46 cm du bloc de répartition, ou sur le bloc de répartition si celui-ci dispose d'un fusible. Le fil d'alimentation électrique principal doit être muni d'un fusible entre la batterie et le bloc de distribution, à moins de 46 cm du bloc de répartition de la borne positive de la batterie, avec un fusible ou un disjoncteur de calibre égal à au moins la somme des valeurs des fusibles de l'amplificateur, mais sans dépasser la capacité du câblage.



# FONCTIONNEMENT STANDARD (PLAGE COMPLÈTE)

impédance minimum de 4  $\Omega$  par voie



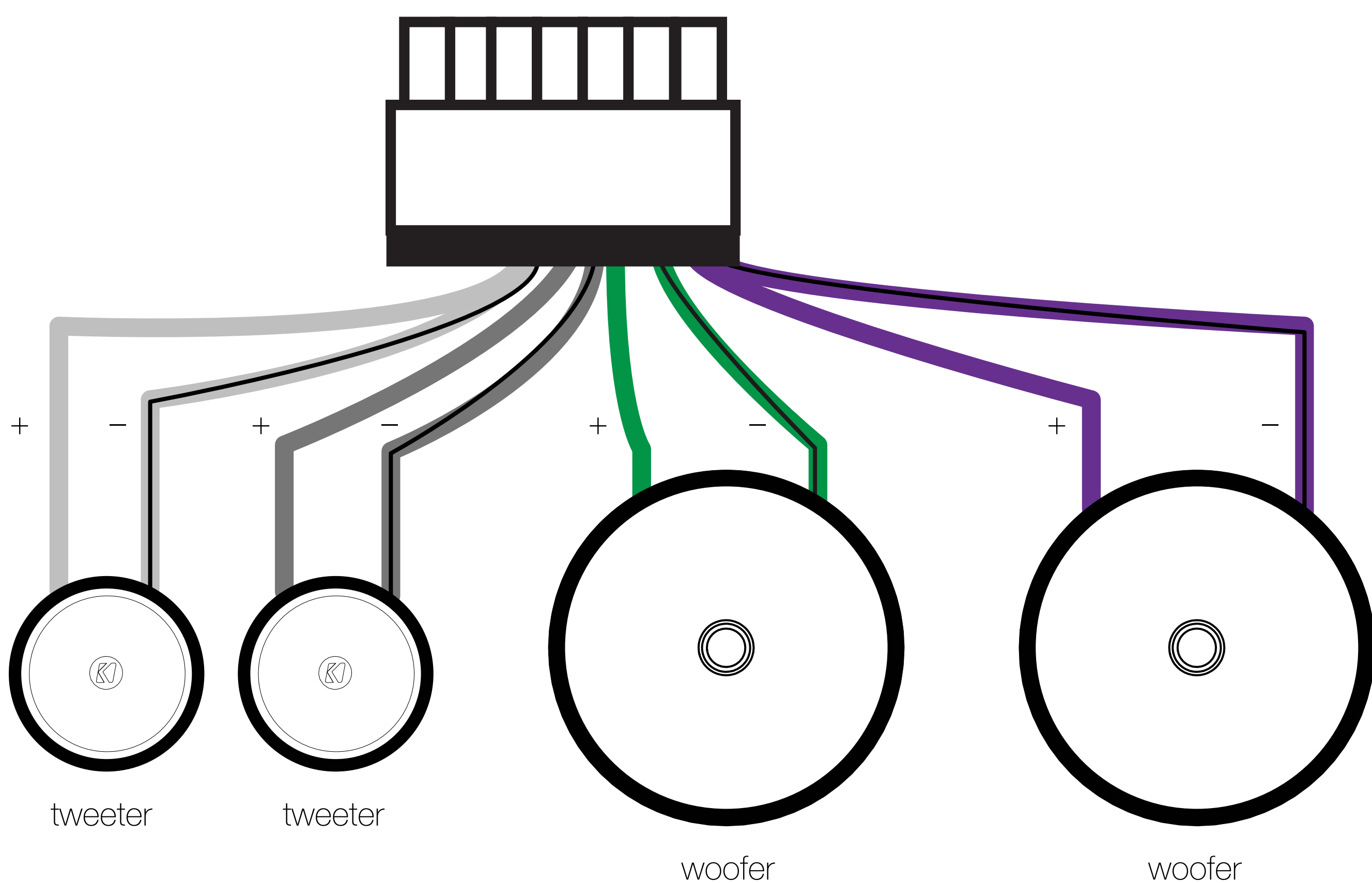
# FONCTIONNEMENT EN MODE BI-AMP

impédance minimum de 4  $\Omega$  par voie

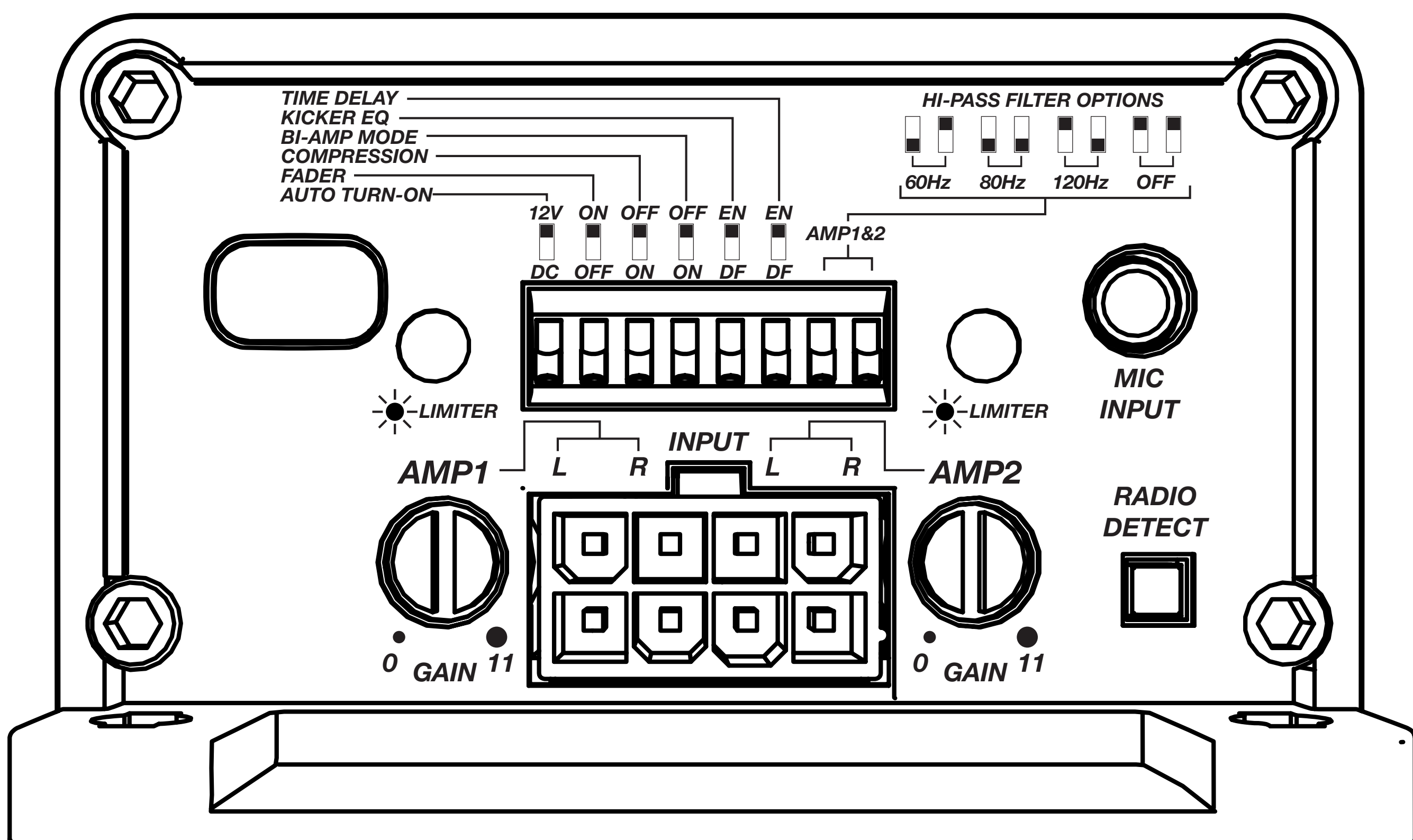
woofers must be installed to rear (AMP 2) channels

tweeters must be installed to front (AMP 1) channels

Bi-Amp switch must be ON!



# Utilisation



## Caractéristiques

**Sélection d'allumage automatique :** la gamme KEY offre deux modes différents d'allumage automatique qui peuvent être sélectionnés sur le panneau d'extrémité : décalage CC et +12 V. Le mode de décalage DC impose au fil REM d'avoir +12 V en sortie pour allumer des amplificateurs en plus.

- Allumage à distance : mettez l'interrupteur en position +12 V pour utiliser une commande d'allumage à distance provenant de votre unité source. Placez un fil de calibre 18 depuis la ligne de commande d'allumage à distance de votre unité source jusqu'au fil REM bleu du faisceau de câbles de votre amplificateur KEY. C'est la méthode d'allumage automatique préconisée.
- Si un allumage à distance 12 V n'est pas disponible, on peut recourir à un allumage par décalage CC si les entrées audio au niveau du haut-parleur sont utilisées. Le mode de décalage CC détecte un décalage de 3 VCC sur les fils du haut-parleur quand l'unité de source est allumée.

**Détection radio :** les entrées RCA des amplificateurs KEY de KICKER peuvent accepter des signaux de niveau bas ou haut provenant votre unité source. Si vous utilisez des entrées de niveau Française

haut mais que votre unité source ne parvient pas à détecter la présence d'un système audio ou refuse de jouer de l'audio sur l'un des haut-parleurs, ou plus, vous devrez peut-être mettre en route la détection radio. Cela activera une résistance de charge sur les entrées de l'amplificateur et informera l'unité source de la présence de haut-parleurs. N'utilisez PAS de détection radio si vous utilisez par ailleurs un signal d'entrée de niveau bas : cela provoque une réduction importante du signal d'entrée.

**FADER :** mettez l'interrupteur du fader en position de marche si vous branchez deux ensembles d'entrée (avant et arrière par exemple) à l'amplificateur. Laissez l'interrupteur du fader en position d'arrêt si vous voulez piloter tous les canaux à partir d'une seule entrée stéréo.

**HI-PASS :** utilisez les interrupteurs HI-PASS de l'amplificateur pour établir un crossover interne. Choisissez une coupure à 60 Hz, 80 Hz, 120 Hz ou aucune, selon la configuration des interrupteurs.

**MODE BI-AMP :** la majorité des systèmes exige que cet interrupteur soit en position OFF. Mettez-le en marche uniquement si vos haut-parleurs sont branchés en mode « Bi-Amp » (reportez-vous à l'illustration du fonctionnement en mode BI-AMP à la [page 51](#)). Le mode Bi-Amp doit être utilisé spécifiquement sans crossover passif. On peut l'utiliser avec des haut-parleurs combinés (deux haut-parleurs de graves et deux haut-parleurs d'aigus) ou avec des haut-parleurs de graves de portière et des haut-parleurs de tableau de bord. Une fois l'interrupteur Bi-Amp sur ON, l'amplificateur KEY détectera automatiquement et appliquera les réglages de Bi-Amplification pendant l'auto-configuration du KEY :

- Haut-parleurs de graves et d'aigus : passe-haut 3,2 kHz 24 dB/octave pour les haut-parleurs d'aigus, passe-bas 3,2 kHz pour les haut-parleurs de graves.
- Haut-parleurs de graves et haut-parleurs de tableau de bord : passe-haut 320 Hz 24 dB/octave pour les haut-parleurs de tableau de bord, passe-bas 640 Hz pour les haut-parleurs de graves.

**TIME DELAY (délai) :** activez-le (position EN) pour que toutes les sorties du haut-parleur atteignent le conducteur ou la position du microphone en même temps. Désactivez-le (position DF) pour enlever ce délai.

**KICKER EQ (égaliseur) :** activez le KICKER EQ en le mettant en position EN (recommandé), désactivez le KICKER EQ en le mettant en position DF. En position arrêtée, la courbe de réponse en fréquence sera plate.

**COMPRESSION :** mettez en position EN pour activer le mode de compression automatique, en réduisant les signaux de haute amplitude au-delà d'un certain seuil, en offrant une expérience d'écoute plus stable et en protégeant votre système audio. Mettez en position DF pour arrêter le mode de compression automatique.

### **Contrôle du gain en entrée avec l'adaptation**

**de gain :** le contrôle du gain en entrée n'est pas un contrôle du volume sonore. Il fait correspondre le niveau de sortie de l'unité de source avec le niveau d'entrée de l'amplificateur et offre une adaptation du gain pour éviter l'écrêtage de l'entrée. Pour une configuration rapide, allumez l'unité source à environ 3/4 du volume (si l'unité de la source parvient à 30, mettez-la à 25). KICKER recommande d'utiliser les tonalités de test disponibles sur [www.KICKER.com/support/](http://www.KICKER.com/support/) pour atteindre les

réglages les plus précis et les plus performants. Ensuite, avec les boutons du gain réglés au minimum, faites monter lentement (dans le sens des aiguilles d'une montre) le gain jusqu'à voir s'allumer la LED du LIMITEUR ou entendre une distorsion audible, puis faites-le redescendre un peu. Si la LED du LIMITER s'allume, cela signifie que l'entrée est toujours écrêtée.

**Entrée du microphone :** branchez le microphone fourni à l'entrée du microphone 3,5 mm (1/8 po.) et utilisez-le en conjonction avec le procédé de réglage automatique pour activer automatiquement les fonctions d'alignement temporel, de l'égaliseur KICKER EQ et d'adaptation de niveau de sortie. Installez-la face à l'appui-tête en direction du toit aussi directement que possible.

**LIMITER :** Le LIMITER peut s'enclencher pour diverses raisons, indiquées par les LED du LIMITER. Il sert à protéger vos haut-parleurs et permet une lecture audio continue. Le LIMITER s'enclenche pendant :

- Le démarrage du moteur : le KEY est un amplificateur compatible avec le système Start-Stop ; il ne s'éteindra pas pendant le démarrage du moteur. Lorsque le moteur de votre véhicule démarre, il y a une chute de tension sur la ligne +12 V. Afin d'éviter l'arrivée d'un signal de sortie écrêté sur vos haut-parleurs, le LIMITER s'enclenche à ce moment. Si vous écoutez à un moyen volume ou à un volume supérieur, vous pourrez voir les voyants du LIMITER s'allumer pendant le démarrage du moteur et son arrêt quand le moteur est en marche.
- Basse tension : si la tension de fonctionnement fournie à l'amplificateur passe sous un niveau spécifié pour le fonctionnement à pleine puissance (+10,8 V), vous pourrez voir les voyants du LIMITER s'allumer à des volumes moyens ou supérieurs

- Surrégime du signal d'entrée : quand le signal d'entrée de l'amplificateur provoque le dépassement en sortie de la puissance nominale maximale, le LIMITER s'enclenchera pour éviter tout écrêtage sévère. Cela peut être dû à un réglage trop élevé du gain ou à un signal d'entrée trop haut, ou les deux. Réduisez le gain ou la puissance du signal d'entrée.

Le LIMITER s'enclenche dès que l'amplificateur atteint et dépasse sa température de fonctionnement maximale, limitant la puissance de l'amplificateur quand la température augmente. Par conséquent, la température mettra plus de temps à monter jusqu'à ce qu'un équilibre soit atteint dans lequel la température ne pourra pas grimper plus haut et la puissance en sortie ne sera plus limitée. Cette protection ne coupe pas brusquement l'audio et ne produit pas d'audio écrêté en direction des haut-parleurs.

- Interrupteur de compression en marche : pour protéger complètement vos haut-parleurs, vous pouvez mettre l'interrupteur de compression en position ON. Cela provoquera l'enclenchement du LIMITER à chaque fois que l'amplificateur sera sur le point de produire un signal audio écrêté. Si le gain est réglé correctement et que la source audio n'est pas écrêtée, cela évitera à votre système audio d'être malmené.



# Auto-Configuration du KEY

Le bouton d'activation du KEY est un bouton multifonction situé sur le microphone fourni et qui démarrera la procédure d'auto-configuration, fera passer d'un signal audio optimisé par auto-configuration à l'audio d'origine une fois la procédure d'auto-configuration terminée, ou l'annulation des réglages d'auto-configuration précédents.

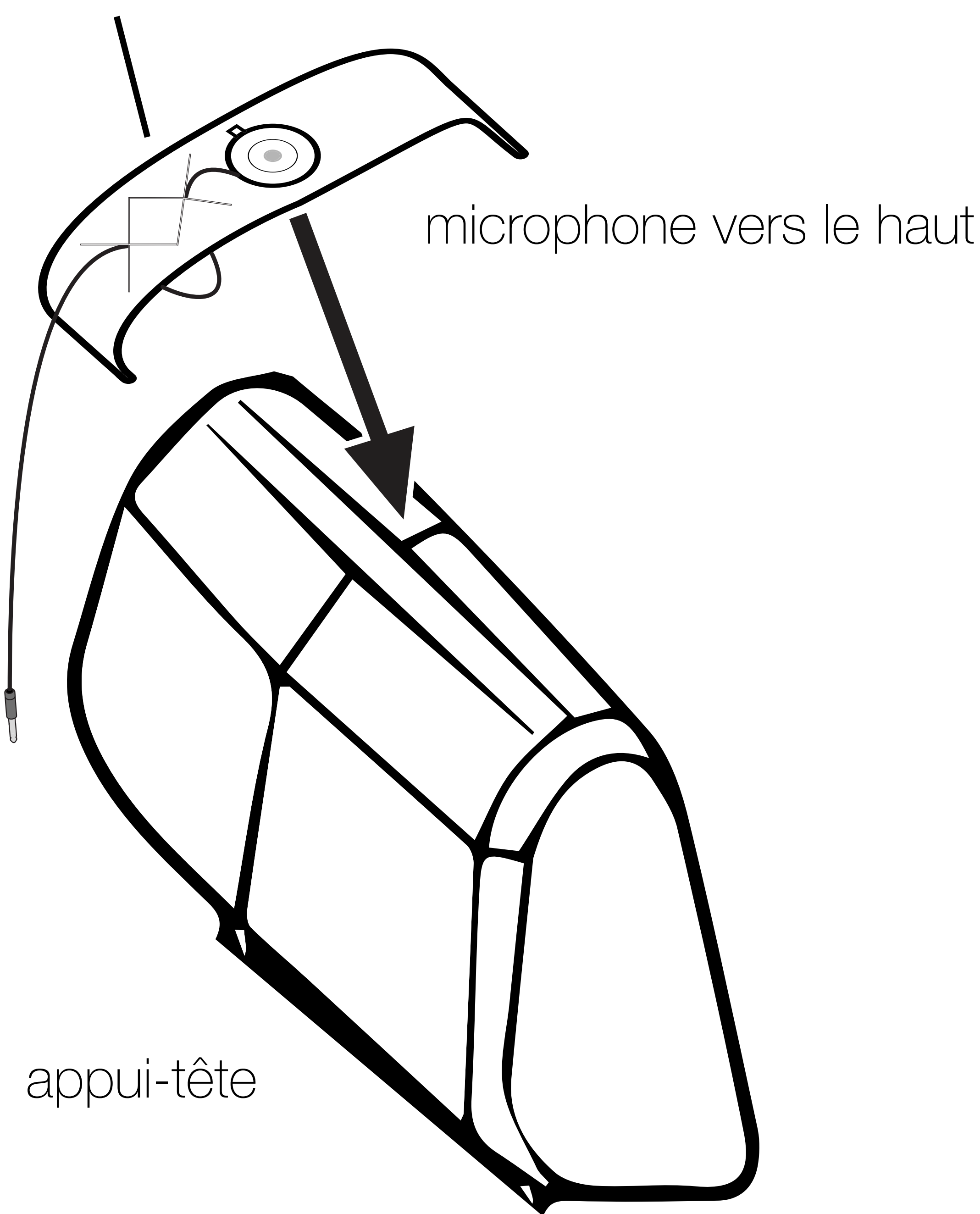
L'auto-configuration comprend plusieurs étapes de réglage, notamment l'égalisation individuelle des haut-parleurs, l'égalisation KICKER EQ, le délai temporel et l'adaptation de sensibilité du haut-parleur. Si un réglage est désactivé par les interrupteurs DIP situés sur le panneau du KEY, les réglages seront alors enregistrés en mémoire et pourront être appliqués ou effacés. Un changement de position des interrupteurs DIP n'entraîne pas la nécessité d'effectuer une nouvelle auto-configuration.

Vous devrez charger une source de bruit rose à partir de votre unité principale, qu'il s'agisse d'un CD, de MP3, de la voie AUX, de Bluetooth, d'USB, etc. Un signal audio non compressé est recommandé pour donner les meilleurs résultats, car cela garantira une pleine amplitude sur tout le spectre des fréquences (20 Hz - 20 kHz). Consultez [www.kicker.com/tech](http://www.kicker.com/tech) pour télécharger les profils de bruit rose les plus adaptés à votre écoute habituelle !

**1.** Réglez les gains de l'amplificateur KEY (AMP-1 et AMP-2) au minimum (à fond dans le sens anti-horaire). Placez tous les réglages de la chaîne de signal, comme ceux du EQ sur votre unité principale, en position inactive ou plate. Débranchez tous les haut-parleurs ou haut-parleurs de graves qui ne sont pas reliés à l'amplificateur KEY, d'origine ou ajoutés.

**2.** Fermez les fenêtres de la voiture, arrêtez le moteur, éteignez la climatisation. Installez le microphone au sommet de l'appui-tête côté conducteur. Veillez à ce que le microphone soit tourné vers le haut, en direction du toit aussi directement que possible.

câble micro



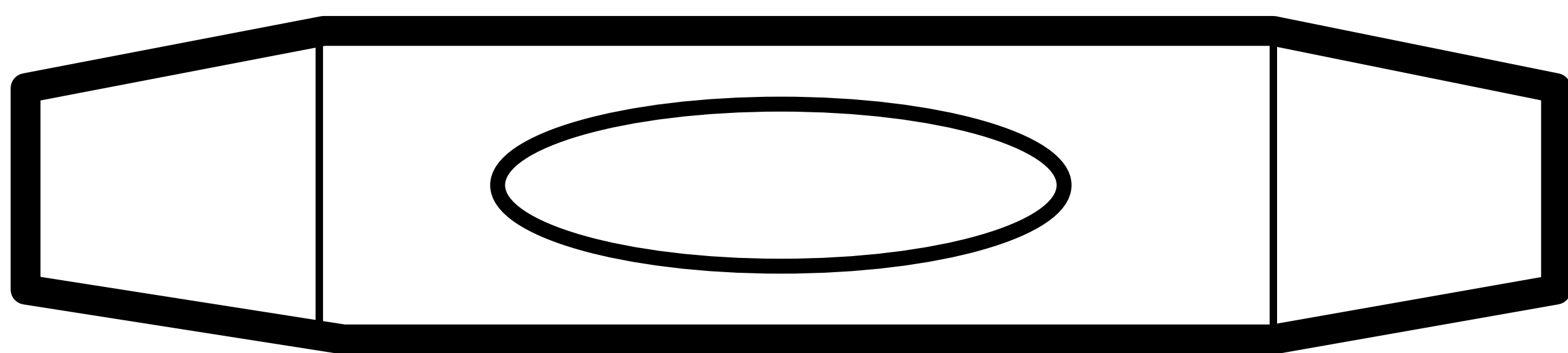
**3.** Dans la plupart des cas, l'interrupteur Bi-Amp doit être en position OFF. Vérifiez si vous devez allumer l'interrupteur du mode Bi-Amp. Reportez-vous à la [page 51](#) pour plus de détails

**4.** Démarrez le bruit rose. Réglez le volume du bruit rose à un niveau supérieur à celui d'une conversation (un peu élevé) à l'aide du réglage du volume de votre source audio (généralement l'unité principale).

**5.** Démarrez une auto-configuration en appuyant brièvement le bouton d'activation du KEY. Une fois la

procédure initiée, vous entendrez des sons répétés (des bips) qui indiqueront que vous devez sortir du véhicule et fermer la porte. Vous aurez 10 secondes avant que la procédure démarre. Le volume des bips et du bruit durant la procédure d'auto-configuration du KEY peut être fort. Pour votre sécurité, veuillez quitter l'intérieur du véhicule !

bouton d'activation du KEY



**6.** Une fois l'auto-configuration terminée, vous entendrez une petite musique de fête indiquant la réussite du processus. Vous pouvez appuyer brièvement sur le bouton d'activation du KEY pour passer à l'audio d'origine, non optimisé ou revenir au son audio optimisé pour le KEY.

Une fois l'opération terminée et réussie, si vous souhaitez effacer les réglages d'auto-configuration et revenir à l'ampli KEY « nettoyé », appuyez sur le bouton d'activation du KEY pendant 10 secondes. Vous entendrez un long bip. Vous pourrez alors refaire une procédure d'auto-configuration si vous le souhaitez.

Si la procédure d'auto-configuration n'aboutit pas, vous entendrez une petite musique triste, suivie de plusieurs bips indiquant un code d'erreur. Comptez le nombre de bips, allant de 1 à 6, et reportez-vous à la section relative au dépannage. Une fois que vous aurez réglé le problème, vous pourrez appuyer sur le bouton d'activation du KEY pour refaire une procédure d'auto-configuration.

# FAQ Sur l'auto-configuration

Q : Quel niveau doit avoir le bruit ambiant pour réussir une auto-configuration ?

R : Aussi silencieux que possible, à la fois à l'intérieur et à l'extérieur du véhicule. La climatisation doit être éteinte et les fenêtres fermées, et l'intérieur du véhicule aussi dégagé que possible. Les bruits à basse fréquence sont plus gênants que les bruits à haute fréquence. En cas de niveau de bruit ambiant trop élevé, le programme d'auto-configuration se terminera par une musique triste et un code d'erreur n° 6.

Q : Puis-je installer plusieurs amplificateurs KEY dans ma voiture ?

R : Oui, toutefois le programme d'auto-configuration est conçu pour optimiser uniquement l'avant du véhicule. Un seul amplificateur KEY peut utiliser la fonction d'auto-configuration.

Q : Puis-je utiliser l'amplificateur KEY avec un haut-parleur de graves ?

R : Oui, mais il faut faire attention. Veillez à débrancher votre haut-parleur de graves avant la procédure d'auto-configuration. Le haut-parleur de graves doit rester silencieux pendant l'auto-configuration afin que l'ampli KEY puisse écouter la sonorité des haut-parleurs de la voiture sans interférence.

Une fois l'auto-configuration réussie, vous pourrez rebrancher votre haut-parleur de graves et utiliser les interrupteurs de crossover de l'amplificateur KEY pour appliquer un passe-haut adapté à vos haut-parleurs afin de les adapter à votre haut-parleur de graves. Si vous oubliez de débrancher votre haut-parleur de graves et utilisez un bruit rose pendant l'auto-configuration, la procédure se terminera par une musique triste et le code d'erreur n° 6.

Q : Comment fonctionne le crossover sur l'amplificateur KEY ?

R : Si aucune auto-configuration n'a été faite ou si la procédure d'auto-configuration concernait des haut-parleurs à plage complète (la plupart des cas), un crossover passe-haut Linkwitz-Riley de 24 dB/octave sera appliqué à tous les haut-parleurs. Ce crossover peut être sélectionné par l'utilisateur par des interrupteurs DIP avec les options suivantes : OFF (aucun), 60 Hz, 80 Hz ou 120 Hz.

Dans le cas d'un système Bi-Amp avec des haut-parleurs de graves et d'aigus, le passe-haut du haut-parleur de la portière est sélectionnable par l'utilisateur et le passe-bas est de 3,2 kHz et 24 dB/octave. Le passe-haut du haut-parleur d'aigus est aussi à 3,2 kHz et 24 dB/octave.

Dans le cas d'un système Bi-Amp avec des haut-parleurs de portière et de tableau de bord, le passe-haut du haut-parleur des graves de la portière est sélectionnable par l'utilisateur et le passe-bas est de 640 Hz et 24 dB/octave. Le passe-haut du haut-parleur de graves du tableau de bord est à 320 Hz et 24 dB/octave. Le chevauchement du passe-bas à 640 Hz et du passe-haut à 320 Hz est voulu et vise à étoffer la gamme des fréquences moyennes. L'auto-égaliseur se charge d'éliminer l'excédent pouvant se produire dans cette gamme.

Q : Ma procédure d'auto-configuration n'a pas abouti, je reçois une musique triste et des bips sonores à la fin. De quoi s'agit-il ?

R : Les bips à la fin correspondent aux codes d'erreur du programme d'auto-configuration. En cas d'échec, veuillez compter le nombre de bips après la petite musique triste et identifier la cause du problème avec les informations qui suivent.

Q : La procédure d'auto-configuration a abouti mais je ne suis pas satisfait du son obtenu. Que puis-je faire d'autre ?

R : Assurez-vous que tous les haut-parleurs reliés à l'amplificateur KEY sont branchés en phase.

Assurez-vous de vérifier les branchements du côté de l'amplificateur et du haut-parleur.

Consultez [www.kicker.com/tech](http://www.kicker.com/tech) pour télécharger les profils de bruit rose les plus adaptés à votre écoute habituelle !

## Codes d'erreur

Bips	Cause	Action de dépannage
1	Haut-parleur d'aigus détecté mais interrupteur BI-AMP en position OFF	Activez l'interrupteur BI-AMP
2	L'interrupteur BI-AMP est activé mais aucun son ne sort	Assurez-vous que tous les câbles sont correctement reliés aux bonnes voies de l'amplificateur.
3	Échec du délai automatique - blocage possible ou haut-parleur débranché	Vérifiez les branchements du haut-parleur pour détecter un fil débranché. Évitez les obstacles matériels. Haut-parleur potentiellement défectueux.
4	Échec de l'égalisation automatique	Assurez-vous que le bruit rose est chargé et qu'il sort de l'unité principale à un volume suffisamment élevé.
5	Échec de la correction de sensibilité avant/arrière	Vérifiez les branchements du haut-parleur pour détecter un fil débranché. Évitez les obstacles matériels. Haut-parleur potentiellement défectueux.
6	Trop de bruit ambiant	Assurez-vous que tous les haut-parleurs de graves sont débranchés, que les ventilateurs sont arrêtés, que le moteur est arrêté, que les fenêtres sont fermées ainsi que les portières et que le bruit extérieur est aussi bas que possible.

# Dépannage

Si votre amplificateur ne marche pas, vérifiez d'abord les possibilités évidentes comme les fusibles sautés, les branchements incorrects ou desserrés, le mauvais réglage des commandes de gain et du commutateur du filtre etc. Se présentent également des DEL d'alimentation (PWR) et de protection (PRT) sur le panneau d'alimentation latéral de votre amplificateur KICKER de série CX. Selon l'état de l'amplificateur et le système de charge du véhicule, les DEL clignotent en vert ou rouge. Lorsque la DEL vert est allumée, cela indique que l'amplificateur est en marche et qu'il n'y a pas de problème.

**DEL vert éteinte, aucune sortie ?** En utilisant un volt/ohmmètre (VOM), vérifiez les points suivants :  
❶ Borne d'alimentation +12 volts (entre +12 V et +16 V) ❷ Borne de mise sous tension à distance (entre +12 V et +16 V) ❸ Vérifiez que les branchements d'alimentation et de masse ne sont pas inversés. ❹ La conductivité de la borne de masse. ❺ L'état des fusibles (aucun fusible sauté).

**DEL vert éclairée, aucune sortie ?** Vérifiez les points suivants : ❶ Branchements RCA ❷ Testez les sorties de haut-parleur en utilisant un haut-parleur dont vous vous êtes assuré du bon fonctionnement. ❸ Remplacez l'appareil source par un appareil dont vous vous êtes assuré du bon fonctionnement. ❹ Vérifiez le passage du signal dans le câble RCA alimentant l'amplificateur en utilisant le volt/ohmmètre réglé pour mesurer la tension « c.a. ».

**DEL du « protection » clignotante lorsque le volume de la musique est élevé ?** La DEL rouge indique une tension faible de la batterie. Vérifiez tous les branchements du système de charge de votre véhicule. Le remplacement ou la recharge de la batterie (ou encore le remplacement de l'alternateur) de votre véhicule peut s'avérer nécessaire.

**DEL du « protection » allumée, aucune sortie ?** ❶ L'amplificateur est très chaud = La protection thermique est engagée. Testez l'impédance aux bornes des haut-parleurs en utilisant un volt/ohmmètre (voir les schémas de ce manuel pour des recommandations sur l'impédance minimum et diverses suggestions de câblage pour les haut-parleurs). Vérifiez également qu'il existe une circulation d'air adéquate autour de l'amplificateur. ❷ L'amplificateur ne s'arrête que lorsque le véhicule est en marche = La protection de tension est engagée. La tension à l'amplificateur ne se situe pas dans la plage de fonctionnement comprise entre 10 et 16 volts. Faites vérifier le système de recharge et le système électrique du véhicule. ❸ L'amplificateur ne marche qu'à un niveau sonore faible = La protection anti-court-circuit est engagée. Vérifiez que les fils des haut-parleurs ne sont pas en court-circuit entre eux ou avec le châssis du véhicule. Vérifiez l'état des haut-parleurs ou l'impédance qui ne doit pas tomber en dessous du seuil minimum recommandé.

**LED du LIMITER allumée ?** ❶ Surrégime du signal d'entrée ou gain réglé trop haut : réduisez le gain ou la puissance du signal d'entrée. ❷ Protection thermique enclenchée en raison de la température du dissipateur thermique. Maintenez l'amplificateur dans un habitacle climatisé, à l'écart de la lumière directe du soleil, ou dans un lieu mieux ventilé. ❸ Basse tension en entrée (ligne +12 V) : vérifiez les câbles d'alimentation et la tension de la batterie. ❹ L'interrupteur de compression est en marche : si cela n'est pas souhaité, mettez l'interrupteur de compression à l'arrêt.

**Aucune sortie d'un canal ?** ❶ Vérifiez le contrôle de la balance sur l'appareil source ❷ Vérifiez les branchements RCA (ou d'entrée de haut-parleur) et les branchements de sortie de haut-parleur pour le canal. ❸ Si vous utilisez un signal de niveau bas, assurez-vous que Radio Detect est désactivé (OFF). ❹ Vérifiez le volume de votre unité source, pour y inclure le volume de tous les téléphones ou lecteurs MP3 connectés.

**Pialement prolongé de l'alternateur avec le régime du moteur ?** ❶ Vérifiez l'état du câble RCA (ou d'entrée de haut-parleur) ❷ Vérifiez l'acheminement du câble RCA (ou d'entrée de haut-parleur) ❸ Vérifiez que l'appareil source est correctement mis à la masse ❹ Vérifiez les paramètres de gain et baissez-en la valeur s'ils sont trop élevés.

**Réponse réduite des graves ?** Inversez le branchement d'un haut-parleur de positif à négatif sur le ou les canaux de la stéréo/du caisson des graves. L'amélioration des graves indique que le haut-parleur était déphasé.

**ATTENTION :** Lorsque vous effectuez une recharge rapide de la batterie du véhicule, assurez-vous que les branchements effectués avec les câbles de recharge rapide sont corrects. Des branchements incorrects peuvent faire sauter les fusibles de l'amplificateur et provoquer des pannes dans d'autres systèmes cruciaux du véhicule.

Si vous avez d'autres questions relatives à l'installation ou au fonctionnement de votre nouveau produit KICKER, contactez le revendeur agréé KICKER qui vous l'a vendu. Pour obtenir d'autres conseils sur l'installation, cliquez sur l'onglet SUPPORT de la page d'accueil KICKER, [www.KICKER.com](http://www.KICKER.com). Sélectionnez l'onglet TECHNICAL SUPPORT, choisissez le sujet qui vous intéresse et téléchargez ou affichez les informations correspondantes. Si vous avez d'autres questions, envoyez un message électronique à [support@KICKER.com](mailto:support@KICKER.com) ou téléphonez aux services techniques en composant le (+1) 405-624-8583.

Übersicht .....	65
Performance .....	66
Installation .....	67
Befestigung .....	67
Verdrahtung .....	68
Betrieb .....	72
Eigenschaften .....	72
KEY-Autoseup .....	77
AUTOSETUP-FAQ: .....	80
Fehlercodes .....	82
Problembesehung .....	83
Garantía   Garantie .....	84



# Übersicht

---

**WICHTIGE SICHERHEITSWARNUNG:** DER ANHALTENDE, FORTLAUFENDE BETRIEB EINES VERSTÄRKERS IN ÜBERSTEUERTER ODER ABGEHACKTER WEISE KANN DAZU FÜHREN, DASS SICH DAS AUDIO-SYSTEM ÜBERHITZT UND IN BRAND GERÄT, WAS ZU EINER SCHWEREN BESCHÄDIGUNG DER KOMPONENTEN UND/ODER DES FAHRZEUGS FÜHREN KANN. KICKER-PRODUKTE KÖNNEN LAUTSTÄRKEPEGEL ERZEUGEN, DIE DAS GEHÖR PERMANENT SCHÄDIGEN KÖNNEN! WENN DIE LAUTSTÄRKE EINES SYSTEM BIS ZU EINER HÖRBAREN VERZERRUNG ERHÖHT WIRD, KANN DAS GEHÖR SCHWERER ALS MIT EINEM NICHT VERZERRTEN SYSTEM MIT DEM GLEICHEN LAUTSTÄRKEPEGEL GESCHÄDIGT WERDEN. DIE SCHMERZSCHWELLE IST IMMER EIN INDIKATOR, DASS DER LAUTSTÄRKEPEGEL ZU HOCH IST UND DAS GEHÖR PERMANENT SCHÄDIGEN KANN. LASSEN SIE GESUNDEN MENSCHENVERSTAND WALTEN, WENN SIE DIE LAUTSTÄRKE EINSTELLEN. KICKER-TREIBER KÖNNEN EINEN SCHALLPEGEL ERZEUGEN, DER ZU PERMANENTEN GEHÖRSCHÄDEN FÜHREN KANN! WENN SIE EIN SYSTEM AUF EINEN PEGEL STELLEN, DER HÖRBARE VERZERRUNGEN ERZEUGT, SCHADET DAS IHREN OHREN MEHR, ALS EIN NICHT VERZERRTES SYSTEM AUF DEM GLEICHEN LAUTSTÄRKEPEGEL. DIE SCHMERZSCHWELLE IST IMMER EINE ANZEIGE DAFÜR, DASS DER SCHALLPEGEL ZU LAUT IST UND ZU PERMANENTEN GEHÖRSCHÄDEN FÜHREN KANN. SEIEN SIE BEI DER LAUTSTÄRKEEINSTELLUNG BITTE VERNÜNFTIG!

Der KEY verbessert die Soundqualität Ihres Fahrzeugs auf Knopfdruck automatisch. Hauchen Sie jedem Audiosystem neues Leben und mehr Realismus ein – mit diesem kleinen und doch leistungsstarken Verstärker und akustischem Prozessor in einem. Mit einer einfachen automatischen Audiokalibrierung in einem Schritt erhalten Sie innerhalb von Minuten eine enorm verbesserte Soundqualität und einen besseren Klangraum. Freuen Sie sich auf Musik in symphonischer Qualität, ob mit Fabriklautsprechern und Radio oder mit Aftermarket-Produkten.

# Performance

**Modell:**

**KEY200.4**

RMS Power, **AMP1** and **AMP2**

@ 14.4V, 4Ω stereo, ≤ 1% THD+N

50W x 4

Länge [Zoll, cm]

7-3/8, 18,7

Höhe [Zoll, cm]

1-11/16, 4,3

Breite [Zoll, cm]

2-3/4, 7

Frequenzbereich [Hz]

**AMPS 1-2:** 20Hz–20kHz

Signal-Rausch-Verhältnis [dB]

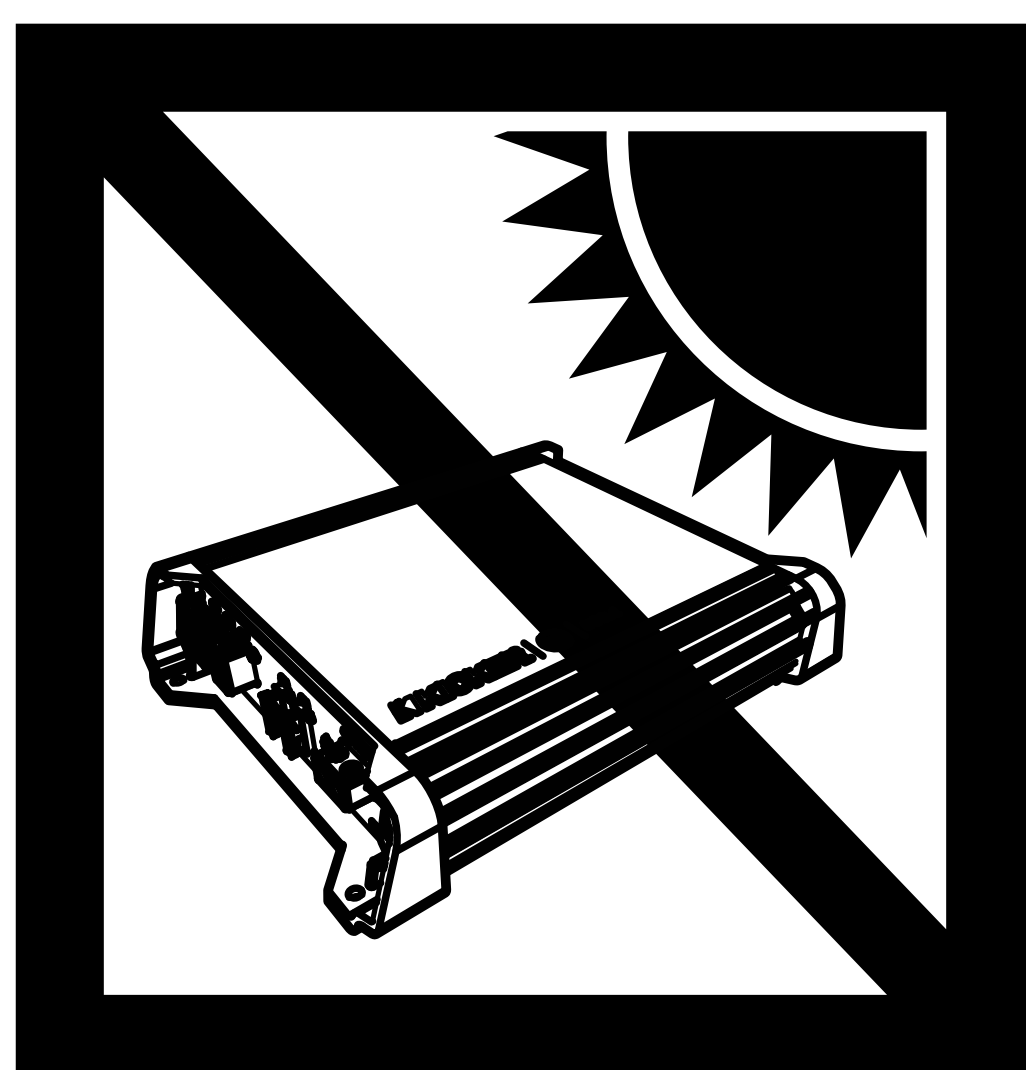
>90dB, A-bewertet:  
Nennleistung

Eingangsempfindlichkeit

250mV–10V

Wählbare elektronische  
Frequenzweiche

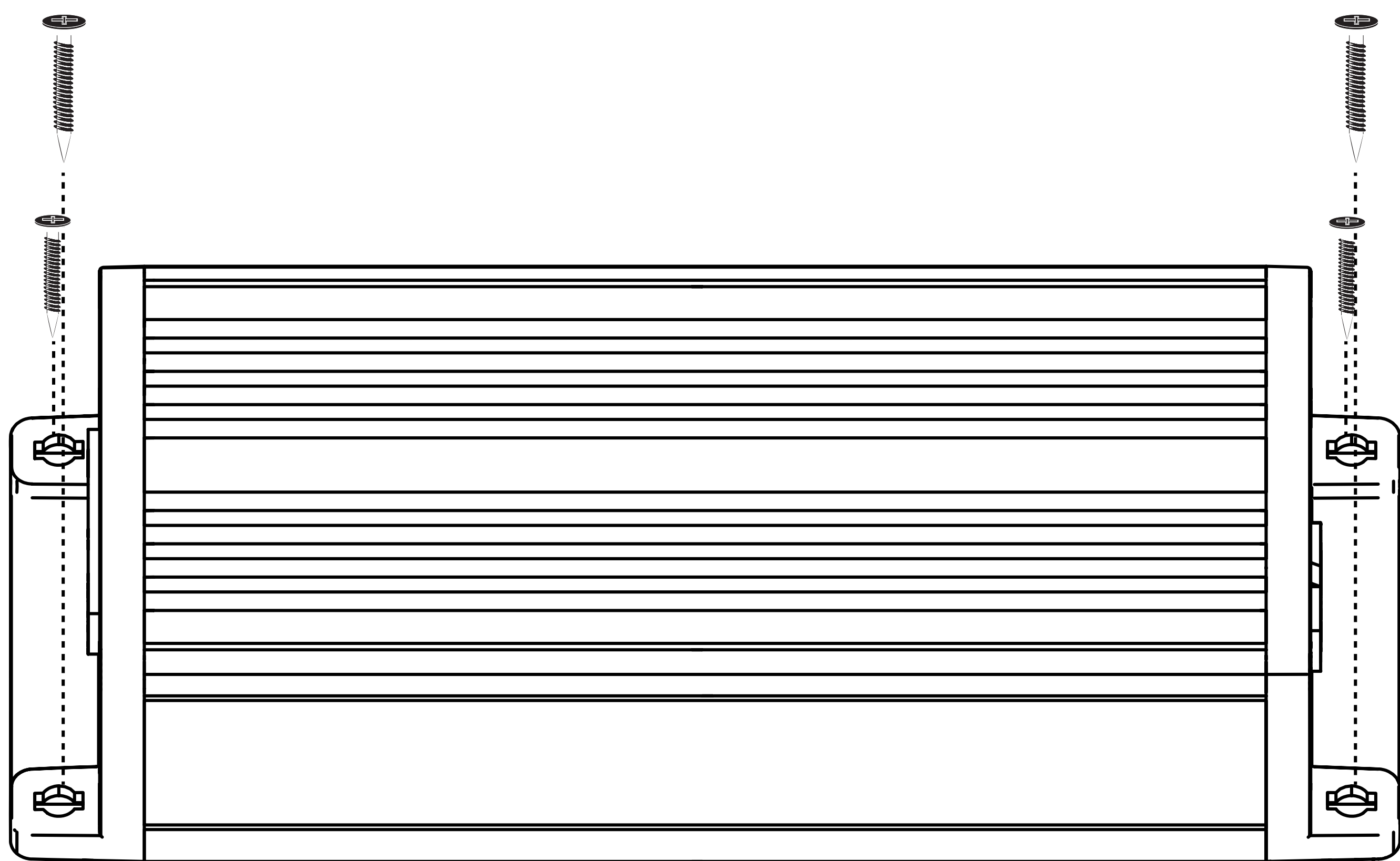
OFF, HI-PASS 60Hz, 80Hz,  
or 120Hz; 24dB/Oktave



# Installation

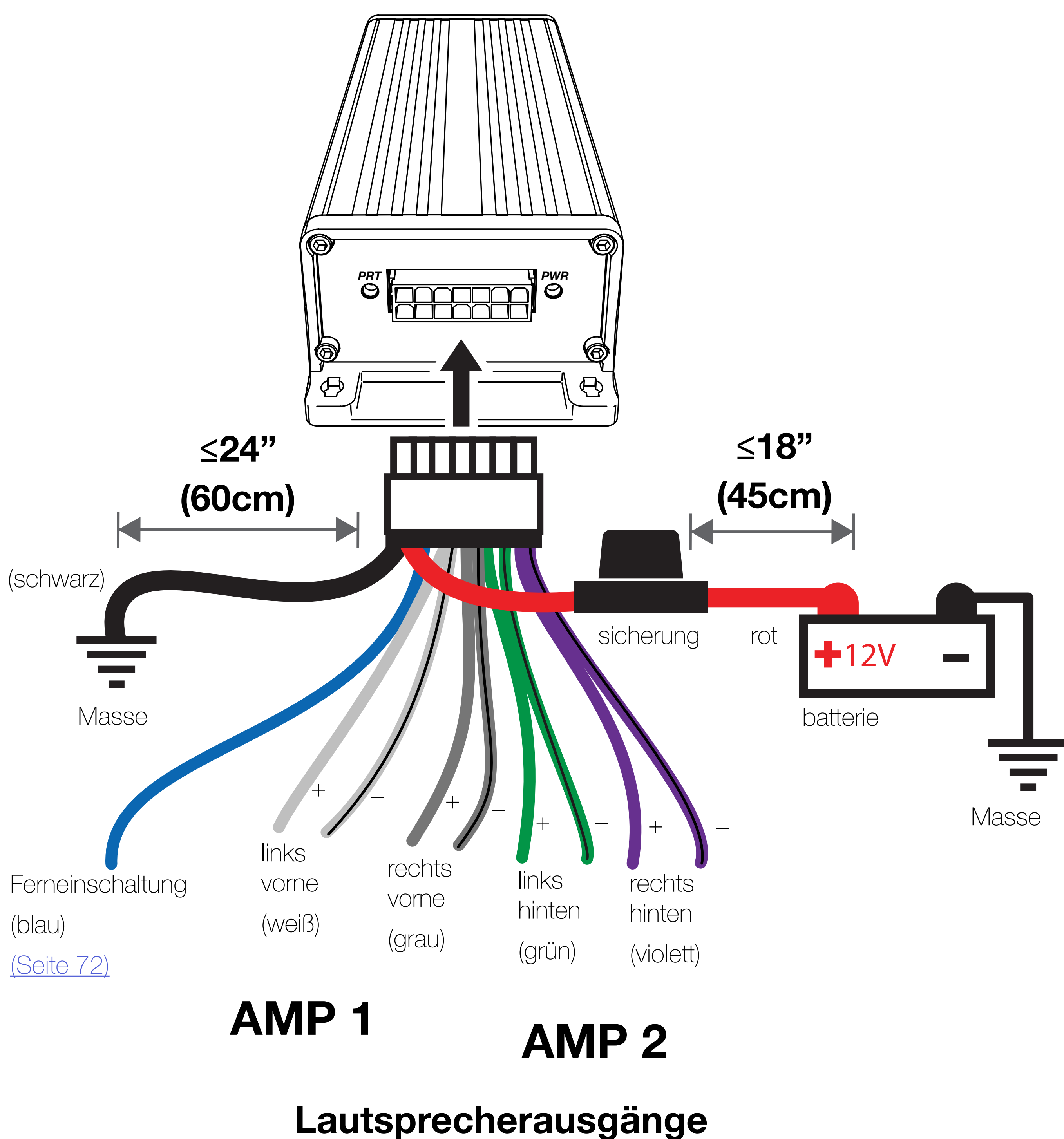
## Befestigung

Wählen Sie für die Installation des KICKER-Verstärkers eine strukturell stabile Stelle. Vergewissern Sie sich, dass sich hinter der Einschraubposition der Schrauben nichts befindet. Wählen Sie eine Stelle, die mindestens 10 cm Lüftungsfreiraum für den Verstärker bietet. Installieren Sie, wenn möglich, den Verstärker im klimatisierten Fahrgastraum. Bohren Sie mit einem 3-mm-Bohrer vier Löcher und verwenden Sie die beiliegenden Nr. 8-Schrauben zur Befestigung des Verstärkers.



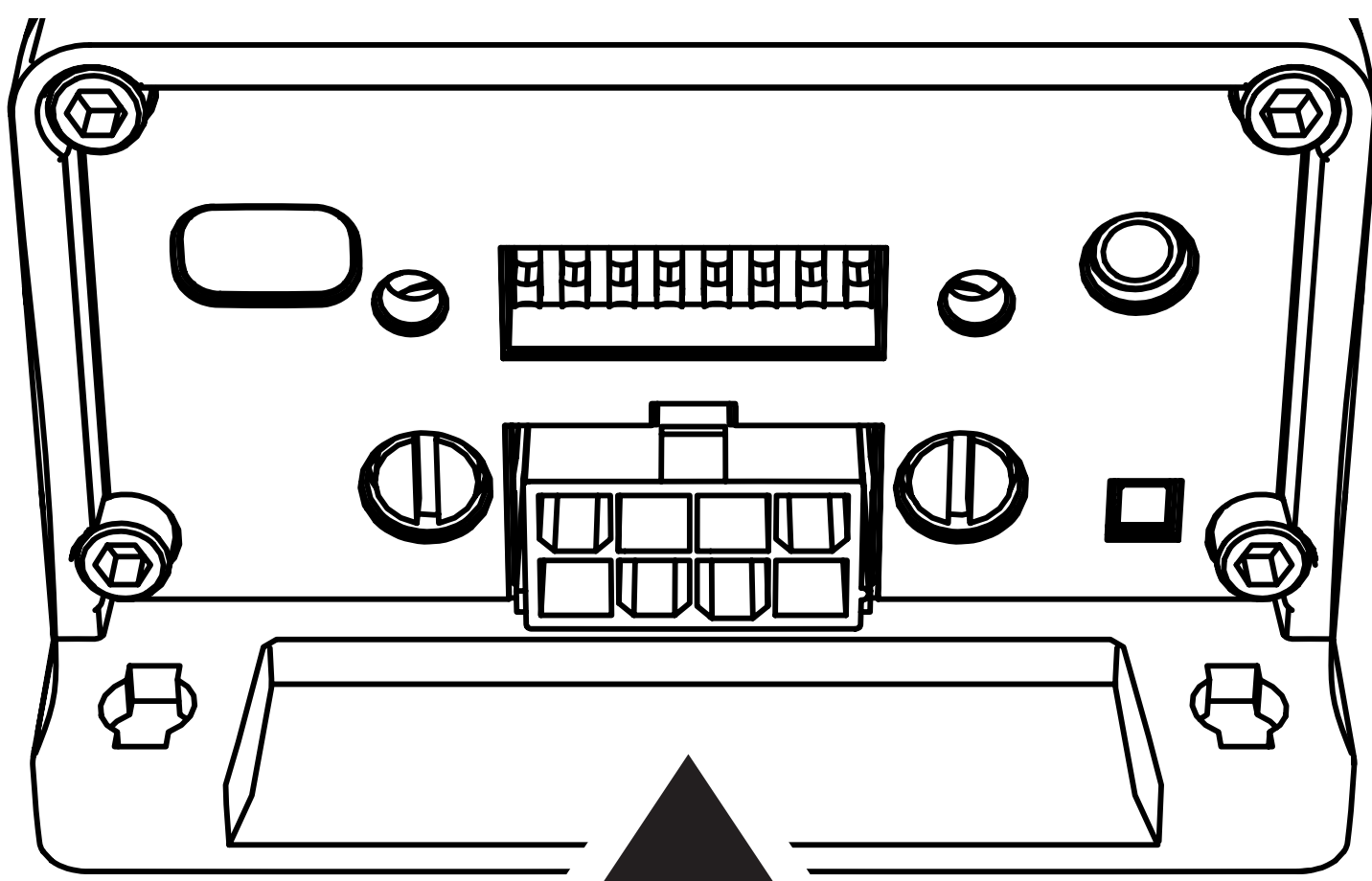
# Verdrahtung

Diskonnectieren Sie die Fahrzeugbatterie, um einen elektrischen Kurzschluss zu vermeiden. Verbinden Sie dann den Schutzleiter mit dem Verstärker. Machen Sie den Schutzleiter kürzer, 60 cm oder weniger, und verbinden Sie ihn mit einem farb- und rostfreien, soliden Metallbereich der Fahrzeugkarosserie. Es wird empfohlen, einen weiteren Schutzleiter von gleicher Stärke (oder stärker) zwischen dem negativen Pol der Batterie und der Fahrzeugkarosserie hinzuzufügen. Halten Sie das Audiosignalkabel fern von Fabrikabelsträngen und anderen Stromkabeln. Falls Sie einen Schutzleiter an dieser Verkabelung vorbeiführen müssen, tun Sie dies in einem 90-Grad-Winkel.



[\(Seite 72\)](#)

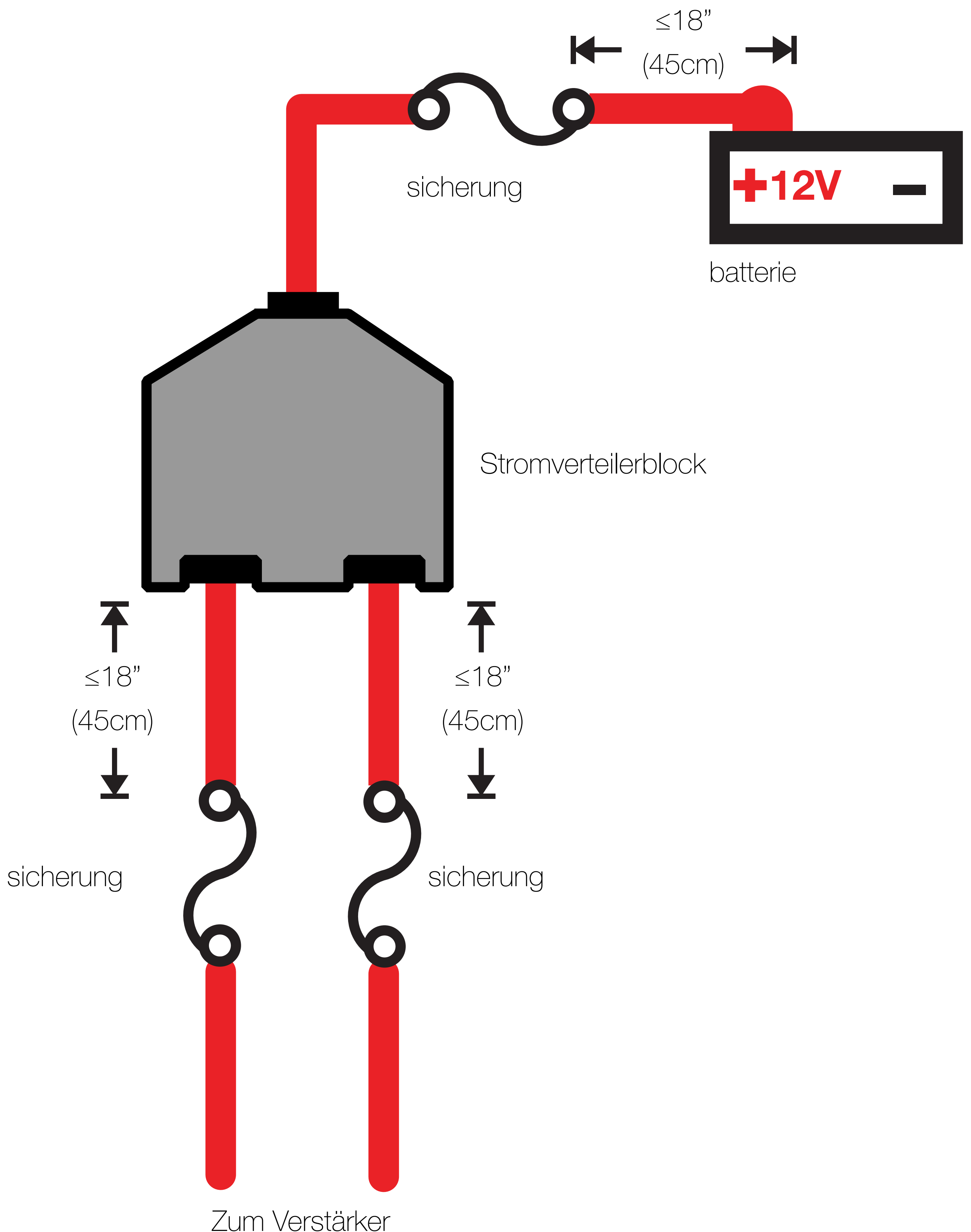
Durchtrennen Sie das eingeschleifte rote Stromkabel, das sich auf dem KEY-Kabelstrang befindet, und installieren Sie es mit der 20A-Sicherung. Die Sicherung sollte sich in einem Abstand von 45 cm von der Batterie und in einer Linie mit dem Stromkabel des Strangs befinden, das mit Ihrem Verstärker verbunden ist. Falls Sie den Verstärker jemals aus dem Fahrzeug entfernen müssen, nachdem er installiert wurde, sollte der Schutzleiter der letzte Draht sein, der vom Verstärker diskonnektiert wird – genau umgekehrt als bei der Installation. Der KEY-Verstärker ist dazu in der Lage, die Verkabelung direkt von Ihrer Haupteinheit zu verwenden, doch für das beste Ergebnis wird empfohlen, den Strom und die Schutzleitung von der Batterie und der Karosserie des Fahrzeugs zu nutzen. KICKER empfiehlt Drahtstärke 14.



Durchtrennen Sie gegebenenfalls die RCA-Verbindungen, um einen High-Level-Input zu verwenden.

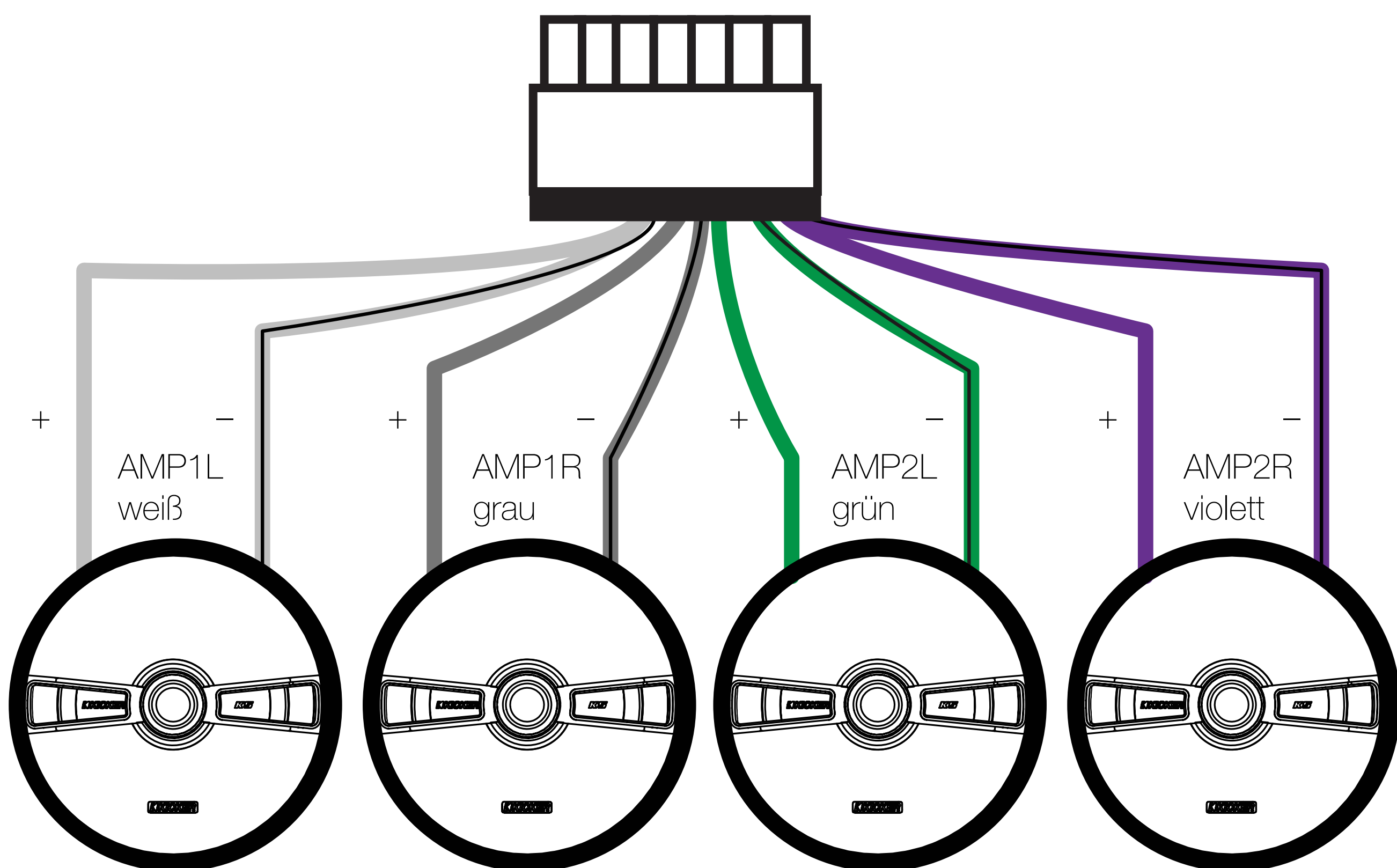
AMP1L weiß  
 AMP1R grau  
 AMP2L grün  
 AMP2R violett

Falls beim Einbau mehrerer Verstärker Verteilerblöcke verwendet werden, sollte jeder Verstärker über eine eigene ordnungsgemäß zugelassene Sicherung (oder einen Schutzschalter) verfügen, die zwischen Verstärker und Verteilerblock eingebaut werden sollte (innerhalb von 45 cm vom Block) oder auf dem Verteilerblock, falls dieser die Sicherung übernimmt. Das Hauptstromkabel sollte außerdem zwischen Batterie und Verteilerblock mit einer Sicherung abgesichert werden, die innerhalb von 45 cm vom Pluspol der Batterie angebracht wird, und zwar mit einer Sicherung (oder einem Schutzschalter), die mindestens der Summe der Werte für die Sicherungen der einzelnen Verstärker entspricht, ohne jedoch die Kapazität der Verkabelung zu überschreiten.



# STANDARD BETRIEB (GESAMTE BANDBREITE)

minimale Impedanz von 4 Ohm pro Kanal



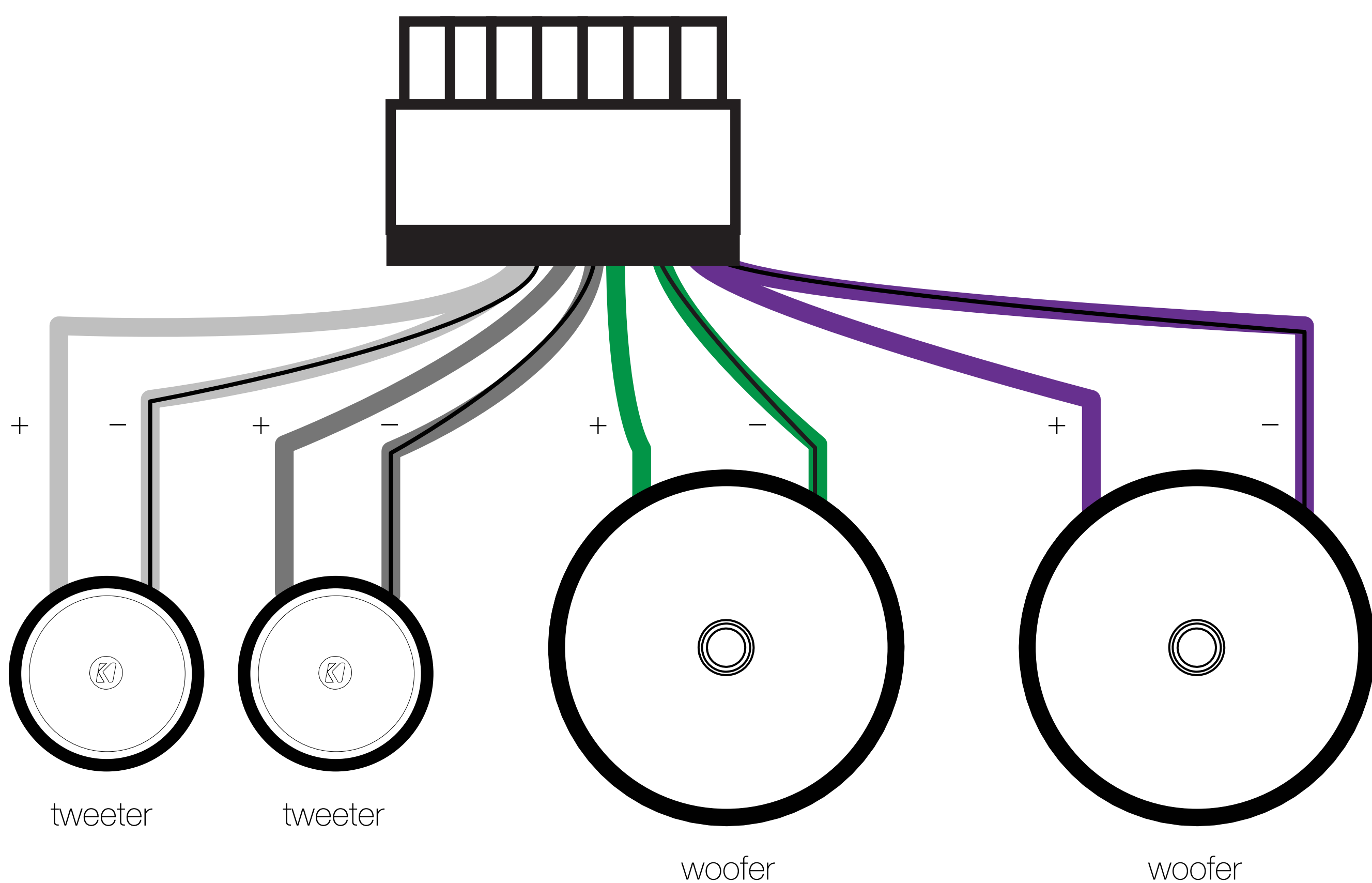
# ZWEIFACHVERSTÄRKERBETRIEB

minimale Impedanz von 4 Ohm pro Kanal

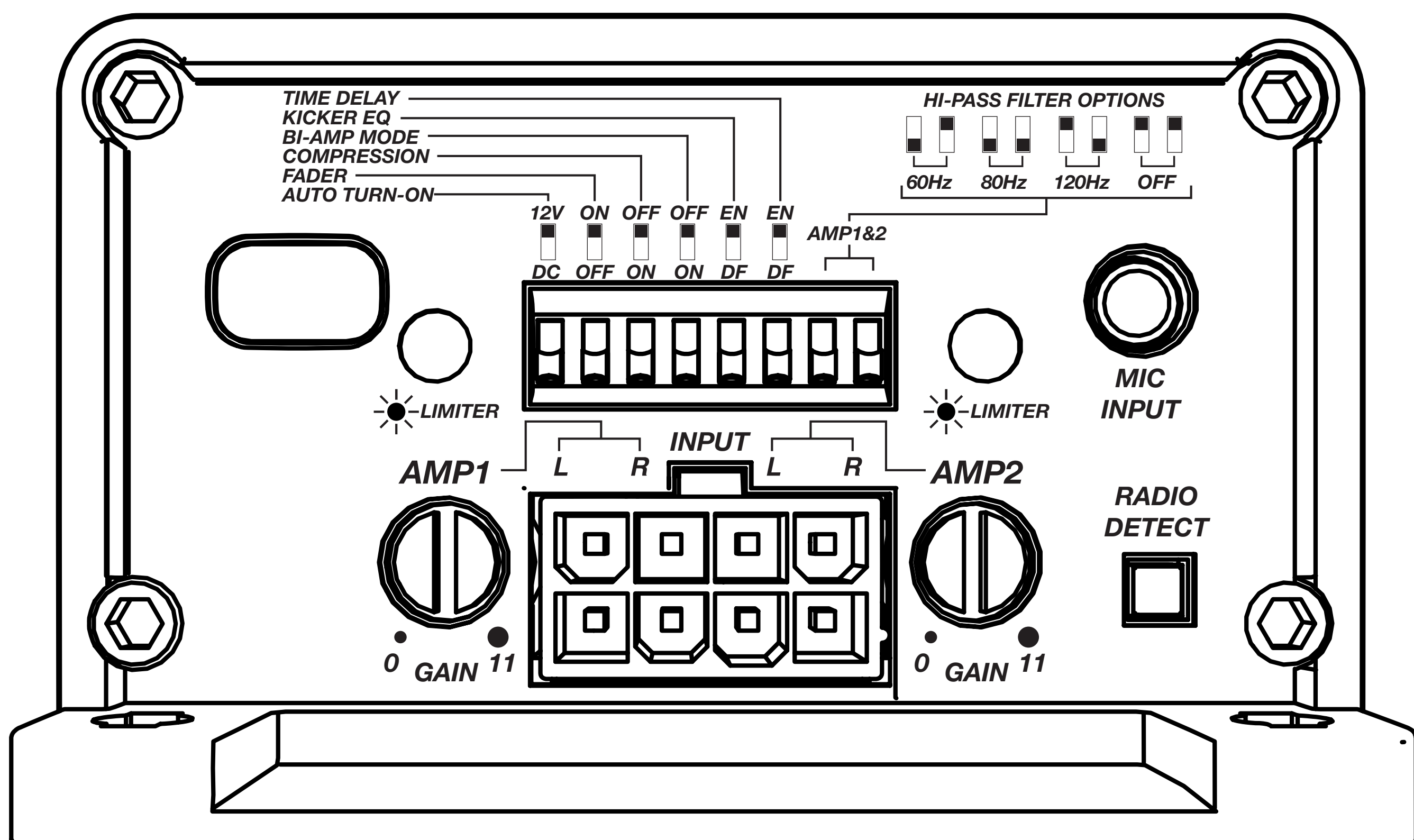
Woofer müssen an die hinteren Kanäle (AMP 2) angeschlossen werden

Hochtonlautsprecher müssen an die vorderen Kanäle (AMP 1) angeschlossen werden

Zweifachverstärker-Schalter muss AN sein!



# Betrieb



## Eigenschaften

**Automatische Einschaltselektion:** Die KEY-Serie bietet zwei verschiedene automatische Einschalt-Modi, die auf dem Endpanel ausgewählt werden können; +12 V und DC Offset. Die Verwendung des DC-Offset-Modus führt dazu, dass der REM-Draht +12 V ausgibt, um weitere Verstärker einzuschalten.

- **Ferneinschalten:** Stellen Sie den Schalter auf +12 V, um den Ferneinschalt-Lead Ihrer Quelleinheit zu verwenden. Führen Sie einen Draht der Stärke 18 vom Ferneinschalt-Lead an Ihrer Quelleinheit zu dem blauen REM-Draht am Kabelstrang des KEY-Verstärkers. Dies ist die bevorzugte automatische Einschaltmethode.
- Wenn 12-V-Ferneinschaltung nicht verfügbar ist, kann das Einschalten mit DC Offset verwendet werden, wenn Audioeingänge auf Lautsprecherebene benutzt werden. Der DC-Offset-Modus erkennt einen 3V DC Offset an den Lautsprecherdrähten, wenn die Quelleinheit eingeschaltet wurde.

**Radioerkennung:** Die RCA-Eingänge an KICKER KEY-Verstärkern sind dazu in der Lage, entweder Hi-Level- oder Low-Level-Signale von Ihrer Quelleinheit zu erhalten. Wenn Sie Hi-Level-Eingänge verwenden, doch Ihre Quelleinheit kein vorhandenes Audiosystem



erkennen kann oder kein Audio aus einem oder mehreren Lautsprechern wiedergibt, müssen Sie eventuell die Radioerkennung einschalten. Dies wird einen Belastungswiderstand am Verstärkereingang aktivieren und der Quelleinheit mitteilen, dass Lautsprecher vorhanden sind. Verwenden Sie Radioerkennung nicht, wenn Sie ein Low-Level-Eingangssignal benutzen, denn dies wird das Eingangssignal beträchtlich reduzieren.

**FADER:** Stellen Sie den Fader-Schalter auf AN, wenn Sie zwei Sets von Eingängen (beispielsweise vorne und hinten) zum Verstärker führen. Lassen Sie den Fader-Schalter auf AUS, wenn Sie alle Kanäle von einem einzigen Stereo-Eingang betreiben möchten.

**HOCHPASS:** Verwenden Sie die HOCHPASS-Schalter des Verstärkers, um die interne Frequenzweiche einzustellen. Wählen Sie einen Abschaltwert von 60 Hz, 80 Hz, 120 Hz oder AUS, abhängig von der Konfiguration von Schaltern.

**ZWEIFACHVERSTÄRKER-MODUS:** Die Mehrzahl von Systemen erfordert, dass der Schalter AUS ist. Schalten Sie ihn nur AN, wenn Ihre Lautsprecher im Zweifachverstärker-Modus verdrahtet sind (siehe die Abbildung des Zweifachverstärker-Betriebs auf [Seite 71](#)). Der Zweifachverstärker-Modus ist speziell für die Verwendung ohne passiven Frequenzweichen bestimmt. Mögliche Verwendungen sind mit Komponentenlautsprechern (zwei Woofer und zwei Hochtonlautsprechern) oder mit Tür-Woofern und Armaturenlautsprechern. Wenn der Zweifachverstärker-Schalter AN ist, wird der KEY-Verstärker automatisch erkannt und wendet Zweifach-Verstärkungseinstellungen während des KEY-Audiosetups an:

- Woofer und Hochtöner: 3,2 kHz 24 dB/Okt. Hochpass für die Hochtönerlautsprecher, 3,2 kHz Tiefpass für die Woofer.
- Woofer und Armaturenlautsprecher: 320 Hz 24 dB/Okt. Hochpass für die Armaturenlautsprecher, 640 Hz Tiefpass für die Woofer.

**ZEITVERZÖGERUNG:** Auf Enable (EN) einstellen, damit alle Lautsprecherausgaben den Treiber- oder Mikrofonstandort gleichzeitig erreichen. Auf Defeat (DF) einstellen, um die Zeitverzögerung auszuschalten.

**KICKER EQ:** Auf Enable (EN) einstellen, um KICKER EQ einzuschalten (empfohlen), auf Defeat (DF) einstellen, um KICKER EQ auszuschalten. Bei AUS ist die Übertragungsfunktion flach.

**KOMPRESSION:** Stellen Sie auf Enable (EN), um Autokompression einzuschalten, was die hohen Amplitudensignale über einer bestimmten Schwelle reduziert und ein einheitlicheres Hörerlebnis schafft und Ihr Audiosystem schützt. Stellen Sie auf Defeat (DF), um Autokompression auszuschalten.

**Eingangsverstärkungssteuerung und Verstärkungsabstimmung:** Die Eingangsverstärkungssteuerung ist keine Lautstärkesteuerung. Sie stimmt die Ausgabe der Quelleinheit mit dem Eingabenniveau des Verstärkers ab und verfügt über Verstärkungsabgleich, um ein Clipping des Eingangssignals zu vermeiden. Regeln Sie für eine schnelle Einrichtung die Quelleinheit 3/4 der Lautstärke hoch (wenn die Quelleinheit bis 30 geht, regeln Sie sie auf 25 hoch). KICKER empfiehlt, die Testtöne auf [www.KICKER.com/support/](http://www.KICKER.com/support/) zu verwenden, um die genauesten und leistungsstärksten Einstellungen zu erreichen. Regeln

Sie mit niedrigster Verstärkung als Nächstes langsam (in Uhrzeigerrichtung) die Verstärkung hoch, bis Sie das LIMITER-LED-Licht aufleuchten sehen oder eine hörbare Verzerrung wahrnehmen, und regeln Sie sie dann etwas herunter. Wenn das LED-Licht des LIMITERS angeht, wird die Eingabe immer noch geclippt.

**Mikrofoneingang:** Verbinden Sie das enthaltene Mikrofon mit dem 3,5-mm-Mikrofoneingang und verwenden Sie es zusammen mit dem Autosetup-Vorgang, um automatisch Zeitabstimmung, KICKER EQ und Ausgangsniveauabgleich einzustellen. Installieren Sie es nach oben gerichtet, stellen Sie sicher, dass das Mikrofon nach oben und so gerade wie möglich auf das Dach zeigt.

**LIMITER:** Der LIMITER kann sich aus verschiedenen Gründen aktivieren, wie durch die LIMITER-LEDs angezeigt wird. Dies geschieht, um Ihre Lautsprecher zu schützen und kontinuierliche Wiedergabe zuzulassen. Der LIMITER aktiviert sich wie folgt:

- Bei Motorstart: Der KEY ist ein Start-Stopp-kompatibler Verstärker. Er schaltet sich nicht aus, wenn der Motor startet. Wenn der Motor Ihres Fahrzeug startet, fällt die Spannung in der +12-V-Leitung ab. Um zu vermeiden, dass ein geclipptes Ausgabesignal Ihren Lautsprecher erreicht, aktiviert sich in diesem Moment der LIMITER. Sollten Sie mit mittlerer oder hoher Lautstärke hören, sehen Sie eventuell beim Starten des Motors die LIMITER-Anzeigen aufleuchten und wieder ausgehen, wenn der Motor läuft.
- Bei geringer Spannung: Wenn die Betriebsspannung, die am Verstärker angelegt wird, unter dem Niveau wie für den Betrieb bei voller Leistung vorgeschrieben (+10,8 V) fällt, könnten Sie eventuell die LIMITER-Anzeigen bei mittleren oder hohen Lautstärkeniveaus aufleuchten sehen.

- Bei Eingangssignalübersteuerung: Wenn das Eingangssignal zum Verstärker dazu führt, dass seine Ausgabe die maximal zulässige Leistung überschreitet, aktiviert sich der LIMITER, um ein starkes Clipping zu verhindern. Dies kann durch die Verstärkungseinstellung oder dadurch verursacht werden, dass das Eingabesignal zu hoch eingestellt ist, oder durch beides. Reduzieren Sie die Verstärkung oder die Stärke des Eingangssignals.

Der LIMITER aktiviert sich, wenn der Verstärker seine maximale Betriebstemperatur erreicht und überschreitet, was die Leistung des Verstärkers beschränkt, wenn die Temperatur steigt. Dadurch steigt die Temperatur langsamer, bis eine Ausgewogenheit erzielt wird, bei der die Temperatur nicht höher steigt und die Ausgangsleistung nicht weiter beschränkt wird. Dieser Schutz schneidet das Audio nicht automatisch ab und gibt kein abgeschnittenes Audio über die Lautsprecher aus.

- Kompressionsschalter AUS: Um Ihre Lautsprecher vollständig zu schützen, können Sie den Kompressionsschalter einschalten. Dies führt dazu, dass der LIMITER sich aktiviert, wenn der Verstärker kurz davor steht, ein abgeschnittenes Audiosignal auszugeben. Wenn die Verstärkung richtig eingestellt ist und die Audioquelle nicht geclippt wird, wird dies Ihr Audiosystem „kugelsicher“ gegen Missbrauch machen.

# KEY-Autosetup

Die KEY-Aktivierungstaste ist eine multifunktionale Taste, die an dem enthaltenen Mikrofon angebracht ist und den Autosetup-Vorgang beginnen wird. Wechseln Sie zwischen dem durch Autosetup optimierten Audio und dem originalen Audio, wenn der Autosetup-Vorgang abgeschlossen ist, oder löschen Sie vorherige Autosetup-Einstellungen.

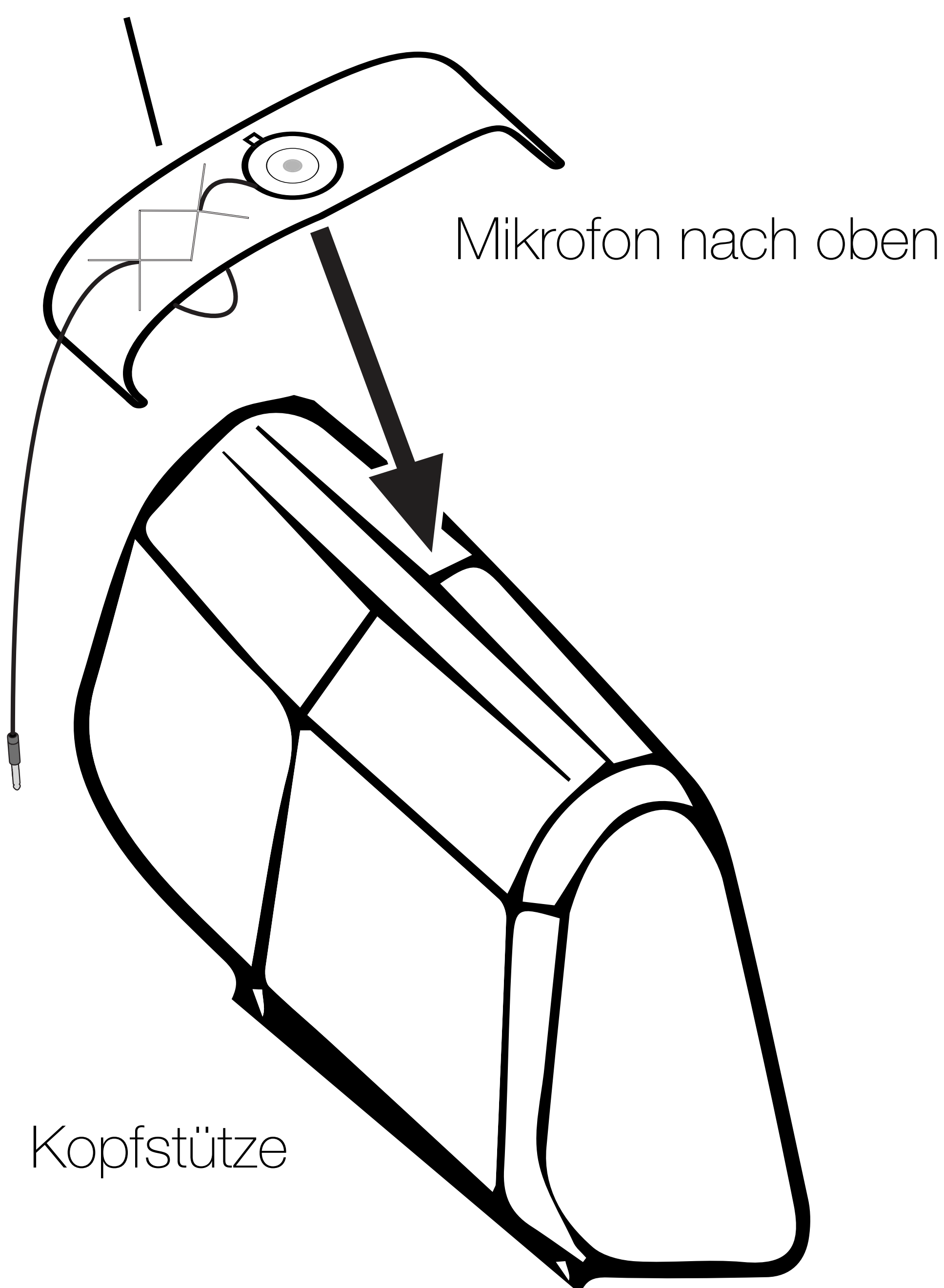
Das Autosetup besteht aus mehreren Anpassungsschritten, einschließlich der Entzerrung der einzelnen Lautsprecher, KICKER EQ, Zeitverzögerung und der Abstimmung der Lautsprecherempfindlichkeit. Wenn eine Einstellung durch die DIP-Schalter auf dem KEY-Panel aufgehoben wird, werden die Einstellungen im Speicher registriert und können angewendet oder aufgehoben werden. Für eine Änderung der DIP-Schalterpositionen muss kein neues Autosetup ausgeführt werden.

Sie müssen eine Quelle für rosa Rauschen aus Ihrer Haupteinheit laden, wie CD, MP3, AUX, Bluetooth, USB usw. Für ein optimales Ergebnis wird unkomprimiertes Audio empfohlen, da dies eine volle Amplitude über das Frequenzspektrum (20 Hz bis 20 kHz) ermöglicht. Besuchen Sie [www.kicker.com/tech](http://www.kicker.com/tech), um das Rosa-Rauschen-Profil herunterzuladen, das am besten zu Ihren Hörgewohnheiten passt!

**1.** Stellen Sie KEY-Verstärkungen (AMP-1 und AMP-2) auf den Minimalwert ein (vollständig gegen den Uhrzeigersinn). Stellen Sie alle Einstellungen in der Signalkette, wie etwa den EQ auf Ihrer Haupteinheit, auf deaktiviert oder flach. Diskonnektieren Sie Lautsprecher oder Subwoofer, die nicht mit dem KEY-Verstärker verbunden sind, ob Fabrik- oder Aftermarket-Lautsprecher.

**2.** Schließen Sie die Autofenster und schalten Sie den Motor und die Klimaanlage aus. Installieren Sie das Mikrofon oben auf der seitlichen Kopfstütze des Fahrers. Stellen Sie sicher, dass das Mikrofon nach oben und so gerade wie möglich auf das Dach zeigt.

Mikrofonkabel



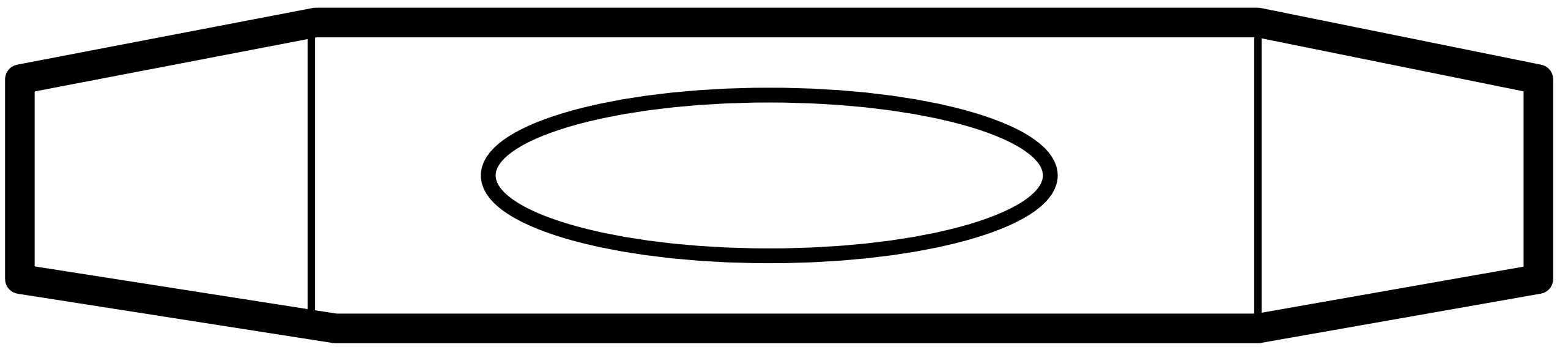
**3.** In den meisten Fällen sollte der Zweifachverstärker-Schalter ausgeschaltet sein. Überprüfen Sie, ob der Zweifachverstärker-Schalter eingeschaltet sein sollte. Weitere Informationen finden Sie auf [Seite 71](#)

**4.** Starten Sie das rosa Rauschen. Stellen Sie die Lautstärke des rosa Rauschens auf ein Niveau oberhalb von Unterhaltungen (mäßig laut) mithilfe Ihres Audioquellen-Lautstärkereglers ein (in der Regel die Haupteinheit).

**5.** Beginnen Sie das Autosetup, indem Sie die KEY-Aktivierungstaste schnell drücken. Nach der

Initialisierung hören Sie sich wiederholende Töne (Piepen), was darauf hinweist, dass Sie das Fahrzeug verlassen und die Tür schließen müssen. Sie haben 10 Sekunden, bevor der Vorgang beginnt. Pieptöne und Geräusche während des KEY-Autosetup-Vorgangs können sehr laut sein. Bleiben Sie zu Ihrer eigenen Sicherheit bitte nicht im Fahrzeug!

### KEY-Aktivierungstaste



**6.** Sobald das Autosetup abgeschlossen ist, hören Sie fröhliche Musik, die ein erfolgreiches Setup bedeutet. Sie können schnell die KEY-Aktivierungstaste drücken, um zum originalen, nicht optimierten Audio zu wechseln oder wieder zum optimierten KEY-Audio überzugehen.

Nach erfolgreichem Abschluss können Sie, wenn Sie die Autosetup-Einstellungen löschen möchten und den KEY-Verstärker auf „leer“ zurücksetzen möchten, die KEY-Aktivierungstaste zehn Sekunden lang halten. Sie werden ein einzelnes, langes Piepen hören. Sie können dann den Autosetup-Prozess bei Bedarf wiederholen.

Wenn der Autosetup-Vorgang nicht erfolgreich abgeschlossen wurde, hören Sie traurige Musik gefolgt von Pieptönen, die einen Fehlercode repräsentieren. Zählen Sie die Anzahl von Pieptönen, die von 1 bis 6 reichen, und sehen Sie im Abschnitt Fehlerbehebung nach. Wenn Sie die Ursache behoben haben, können Sie schnell auf die KEY-Aktivierungstaste tippen, um den Autosetup-Vorgang erneut durchzuführen.

# AUTOSETUP-FAQ:

F: Wie leise müssen die Umgebungsgeräusche sein, damit das Autose setup richtig funktioniert?

A: So leise wie möglich, sowohl im als auch außerhalb des Fahrzeugs. Die Klimaanlage sollte ausgeschaltet sein und die Fenster sollten hochgefahren sein und es sollten im Fahrzeug so wenig Hindernisse wie möglich vorhanden sein. Niedrigfrequente Geräusche verursachen mehr Interferenz als hochfrequente Geräusche. Sollte ein Umgebungsgeräusch zu laut sein, wird das Autose setup-Programm mit trauriger Musik und Fehlercode 6 abbrechen.

F: Kann ich mehr als einen KEY-Verstärker in mein Auto einbauen?

A: Ja, allerdings wurde das Autose setup-Programm dazu entwickelt, nur den vorderen Klangraum zu optimieren. Nur ein KEY-Verstärker kann die Autose setup-Funktion verwenden.

F: Kann ich den KEY-Verstärker mit einem Subwoofer verwenden?

A: Ja, doch Vorsicht ist geboten. Stellen Sie sicher, dass Sie Ihren Subwoofer vor dem Autose setup-Vorgang diskonnektieren. Der Subwoofer muss während des Autose setups ruhig bleiben, damit der KEY-Verstärker hören kann, wie die Autolautsprecher ohne Interferenz klingen.

Nach erfolgreichem Abschluss des Autose setup können Sie Ihren Subwoofer wieder anschließen und die Crossover-Schalter auf dem KEY-Verstärker benutzen, um einen angemessenen Hochpass auf Ihre Lautsprecher anzuwenden, um diese mit Ihrem Subwoofer abzustimmen. Wenn Sie vergessen haben, Ihren Subwoofer zu diskonnektieren, und es wird während des Autose setup rosa Rauschen gespielt,



bricht das Autoseup-Programm mit trauriger Musik und Fehlercode 6 ab.

Q: Wie funktioniert die Frequenzweiche mit dem KEY-Verstärker?

A: Wenn kein Autoseup durchgeführt wurde oder der Autoseup-Prozess für Vollbereichslautsprecher durchgeführt wurde (der häufigste Fall), wird die 24 dB/Oktave Linkwitz-Riley Hochpass-Frequenzweiche auf alle Lautsprecher angewendet. Diese Frequenzweiche kann vom Anwender über DIP-Schalter mit den folgenden Optionen angewendet werden: AUS, 60 Hz, 80 Hz oder 120 Hz.

Im Fall eines Zweifachverstärkersystems mit Woofern und Hochtönern kann der Hochpass des Türlautsprechers vom Anwender ausgewählt werden und der Tiefpass beträgt 3,2 kHz 24 dB/Oktave. Der Hochpass des Hochtוןlautsprechers beträgt auch 3,2 kHz 24 db/Oktave.

Im Fall eines Zweifachverstärkersystems mit Tür- und Armaturenlautsprechern kann der Hochpass des Türlautsprechers vom Anwender ausgewählt werden und der Tiefpass beträgt 640 Hz 24 dB/Oktave. Der Hochpass des Armaturen-Woofers beträgt 320 Hz 24 db/Oktave. Das Überschneiden des 640-Hz-Hochpasses mit dem 320-Hz-Hochpass geschieht absichtlich, um den Mittelbereich zu stärken. Das Auto EQ sorgt dafür, dass Überschuss beseitigt wird, der in diesem Bereich auftreten kann.

F: Mein Autoseup-Programm wurde nicht erfolgreich abgeschlossen, ich erhalte am Ende traurige Musik und Pieptöne. Was ist das?

A: Die Pieptöne am Ende sind die Fehlercodes des Autoseup-Programms. Wenn das Autoseup fehlschlägt, zählen Sie bitte die Anzahl der Pieptöne

nach dem traurigen Song und beheben Sie den Fehler mit den nachfolgenden Informationen.

F: Der Autoseup-Vorgang ist vollständig abgeschlossen, doch ich bin nicht zufrieden mit dem Sound. Welche anderen Schritte kann ich vornehmen?

A: Stellen Sie sicher, dass alle Lautsprecher mit dem KEY-Verstärker phasengleich miteinander verdrahtet sind. Überprüfen Sie sowohl die Verstärkerseite als auch die Lautsprecherseite der Verdrahtung.

Besuchen Sie [www.kicker.com/tech](http://www.kicker.com/tech), um das Rosa-Rauschen-Profil herunterzuladen, das am besten zu Ihren Hörgewohnheiten passt!

## Fehlercodes

Anzahl von Pieptönen	Grund	Fehlerbehebungsaktion
1	Hochtonlautsprecher gefunden, doch der Zweifachverstärker-Schalter ist ausgeschaltet	Aktivieren Sie den Zweifachverstärkerschalter
2	Zweifachverstärkerschalter ist eingeschaltet, doch es kommt kein Sound aus einem Kanal	Stellen Sie sicher, dass all Ihre Drähte richtig mit den entsprechenden Verstärkerkanälen verbunden sind.
3	Auto-Zeitverzögerung fehlgeschlagen – mögliche Blockierung oder diskonnektierte Lautsprecher	Überprüfen Sie den Lautsprecher auf diskonnektierte Drähte. Vermeiden Sie physische Barrieren. Möglicherweise fehlerhafter Lautsprecher.
4	Auto EQ fehlgeschlagen	Stellen Sie sicher, dass rosa Rauschen geladen wird und auf der Haupteinheit mit einer angemessen hohen Lautstärke wiedergegeben wird.
5	Empfindlichkeitskorrektur vorne/hinten fehlgeschlagen	Überprüfen Sie Lautsprecher auf diskonnektierte Drähte. Vermeiden Sie physische Barrieren. Möglicherweise fehlerhafter Lautsprecher.
6	Zu viel Umgebungsgeräusche	Stellen Sie sicher, dass Subwoofer diskonnektiert sind, Ventilatoren ausgeschaltet sind, der Motor ausgeschaltet ist, die Fenster hochgefahren sind, die Türen geschlossen sind und externe Geräusche minimal sind.

# Problembesehung

Wenn der Verstärker nicht zu funktionieren scheint, sollten Sie zuerst offensichtliche Faktoren prüfen, wie durchgebrannte Sicherungen, schlechte oder fehlerhafte Verkabelung, inkorrekte Einstellung des Crossover-Schalters und der Verstärkungsregler etc. Am seitlichen Einschaltfeld des KICKER DXA-Verstärkers befinden sich eine Netz-LED (PWR) und eine Schutz-LED (PRT). Abhängig vom Einschaltzustand des Verstärkers und des Ladesystems des Fahrzeugs leuchten die LED-Anzeigen grün oder rot. Eine grün LED zeigt an, dass der Verstärker eingeschaltet ist und einwandfrei funktioniert.

Netz-LED aus, keine Ausgabe? Testen Sie mit einem Volt-Ohm-Messgerät (VOM) Folgendes: **1**+12 Volt Stromanschluss (Wert sollte +12V bis +16V sein) **2**Ferneinschaltung (Wert sollte +12V bis +16V sein) **3**Prüfen, ob Netz- und Masseanschlüsse falsch gepolt sind. **4**Masseanschluss, auf korrekte Leitfähigkeit. **5**Prüfen, ob Sicherungen durchgebrannt sind.

Netz-LED an, keine Ausgabe? Prüfen Sie Folgendes: **1**RCA-Anschlüsse **2**Lautsprecheranschlüsse mit „gutem“ Lautsprecher testen. **3**Autoradio durch ein „gutes“ Autoradio ersetzen. **4**Prüfen Sie mit dem VOM-Messgerät, das auf Wechselspannung eingestellt ist, die RCA-Zuleitung des Verstärkers auf ein Signal.

Schutz-LED blinkt bei lauter Musik? Die rote LED zeigt eine niedrige Batteriespannung an. Prüfen Sie alle Verbindungen im Ladesystem Ihres Fahrzeugs. Sie müssen eventuell die Fahrzeugbatterie aufladen oder ersetzen oder die Lichtmaschine auswechseln.

Schutz-LED an, keine Ausgabe? **1**Der Verstärker ist sehr heiß = Der Überhitzungsschutz ist aktiviert. Testen Sie den Widerstand an den Lautsprecheranschlüssen mit einem VOM-Messgerät (die Diagramme in dieser Anleitung zeigen die empfohlenen Mindestwiderstände und Vorschläge für den Anschluss mehrerer Lautsprecher). Prüfen Sie auch, ob der Verstärker ausreichende Lüftung hat. **2**Der Verstärker schaltet sich nur während der Fahrt aus = Der Spannungsschutz ist aktiviert. Die Spannung am Verstärker liegt außerhalb des Betriebsbereichs von 10–16 Volt. Lassen Sie das Lade- und Elektriksystem des Fahrzeugs inspizieren. **3**Der Verstärker erzeugt nur geringe Lautstärke = Die Kurzschluss-Sicherung ist aktiviert. Prüfen Sie, ob Lautsprecherkabel miteinander oder mit der Karosserie Kurzschlüsse erzeugen. Prüfen Sie, ob beschädigte oder unterhalb des Mindestwiderstands funktionierende Lautsprecher vorliegen.

Das LIMITER-LED ist an? **1**Übersteuerung des Eingangssignals oder Verstärkung zu hoch eingestellt: Reduzieren Sie die Verstärkung oder die Stärke des Eingangssignals. **2**Thermalschutz aktiviert wegen Kühlkörpertemperatur. Belassen Sie den Verstärker in einer klimakontrollierten Kabine, fern von direkter Sonneneinstrahlung, oder in einem besser belüfteten Bereich. **3**Geringe Eingangsspannung (+12-V-Leitung): Überprüfen Sie Ihre Stromversorgungsdrähte und die Batteriespannung. **4**Der Kompressionsschalter ist an: Falls dies nicht erwünscht ist, schalten Sie den Kompressionsschalter aus.

Keine Ausgabe aus einem Kanal? **1**Prüfen Sie den Balanceregler am Autoradio. **2**Prüfen Sie die RCA- oder Lautsprechereingangskabel und -ausgänge für den Kanal. **3**Wenn Sie ein Low-Level-Signal verwenden, vergewissern Sie sich, dass Radio Detect ausgeschaltet ist. **4**Überprüfen Sie die Lautstärke an Ihrer Quelleinheit, um die Lautstärke von verbundenen Smartphones oder MP3-Playern zu überprüfen.

Lichtmaschine erzeugt bei steigender Motordrehzahl heulendes Geräusch? **1**Prüfen Sie, ob das RCA- oder Lautsprechereingangskabel defekt ist. **2**Prüfen Sie den Verlauf des RCA- oder Lautsprechereingangskabels. **3**Prüfen Sie, ob das Autoradio richtig geerdet ist. **4**Prüfen Sie die Verstärkungseinstellungen und reduzieren Sie diese ggf.

Verringerte Basswiedergabe? Wechseln Sie einen Lautsprecheranschluss an den Stereo-/ Subwooferkanälen von Positiv zu Negativ; wenn der Bass nun besser klingt, war der Lautsprecher phasenverschoben.

**ACHTUNG:** Wenn Sie das Auto mit Starthilfekabel starten, müssen Sie sicherstellen, dass die Kabel korrekt angeschlossen sind. Falsche Anschlüsse können zu einem Durchbrennen der Verstärkersicherung und einem Ausfall anderer wichtiger Systeme im Fahrzeug führen.

Wenn Sie weitere Fragen zur Installation oder zum Betrieb Ihres neuen KICKER-Produkts haben, setzen Sie sich bitte mit Ihrem autorisierten KICKER-Fachhändler in Verbindung. Weitere Installationshinweise finden Sie, indem Sie auf der KICKER-Startseite ([www.KICKER.com](http://www.KICKER.com)) auf die Registerkarte SUPPORT klicken. Wählen Sie das Register TECHNICAL SUPPORT und dann das gewünschte Thema, um die entsprechenden Informationen anzuzeigen oder herunterzuladen. Wenn Sie spezifische oder nicht beantwortete Fragen haben, erreichen Sie den Kundendienst unter [support@KICKER.com](mailto:support@KICKER.com) oder telefonisch unter +1 (405) 624-8583.

# Garantía | Garantie

Contact your International KICKER dealer or distributor concerning specific procedures for your country's warranty policies.

Our goods come with guarantees that cannot be excluded under the **Australian Consumer Law**. You are entitled to a replacement or refund for a major failure and for compensation for any other reasonably foreseeable loss or damage. You are also entitled to have the goods repaired or replaced if the goods fail to be of acceptable quality and the failure does not amount to a major failure.

## **GARANTÍA INTERNACIONAL** ***Versión Español***

Comuníquese con su concesionario o distribuidor KICKER internacional para obtener información sobre procedimientos específicos relacionados con las normas de garantía de su país.

La frase "combustible para vivir la vida Livin' Loud™ a todo volumen" se refiere al entusiasmo por la vida que la marca KICKER de estéreos de automóvil representa y a la recomendación a nuestros clientes de que vivan lo mejor posible ("a todo volumen") en todo sentido. La línea de altavoces y amplificadores KICKER es la mejor del mercado de audio de automóviles y por lo tanto representa el "combustible" para vivir a todo volumen en el área de "estéreos de automóvil" de la vida de nuestros clientes. Recomendamos a todos nuestros clientes que obedezcan todas las reglas y reglamentos locales sobre ruido en cuanto a los niveles legales y apropiados de audición fuera del vehículo.

## **INTERNATIONALE GARANTIE** ***Deutsche Version***

Nehmen Sie mit Ihren internationalen KICKER-Fachhändler oder Vertrieb Kontakt auf, um Details über die Garantieleistungen in Ihrem Land zu erfahren.

Der Slogan "Treibstoff für Livin' Loud" bezieht sich auf die mit den KICKER-Autostereosystemen assoziierte Lebensfreude und die Tatsache, dass wir unsere Kunden ermutigen, in allen Aspekten ihres Lebens nach dem Besten ("Livin' Loud") zu streben. Die Lautsprecher und Verstärker von KICKER sind auf dem Markt für Auto-Soundsysteme führend und stellen somit den "Treibstoff" für das Autostereoerlebnis unserer Kunden dar. Wir empfehlen allen unseren Kunden, sich bezüglich der zugelassenen und passenden Lautstärkepegel außerhalb des Autos an die örtlichen Lärmvorschriften zu halten.

## **GARANTIE INTERNATIONALE** ***Version Française***

Pour connaître les procédures propres à la politique de garantie de votre pays, contactez votre revendeur ou distributeur International KICKER.

L'expression "carburant pour vivre plein pot" fait référence au dynamisme de la marque KICKER d'équipements audio pour véhicules et a pour but d'encourager nos clients à faire le maximum ("vivre plein pot") dans tous les aspects de leur vie. Les haut-parleurs et amplificateurs KICKER sont les meilleurs dans le domaine des équipements audio et représentent donc pour nos clients le "carburant pour vivre plein pot" dans l'aspect "installation audio de véhicule" de leur vie. Nous encourageons tous nos clients à respecter toutes les lois et réglementations locales relatives aux niveaux sonores acceptables à l'extérieur des véhicules.

P.O. Box 459

Stillwater, Oklahoma 74076

USA

(405) 624-8510

 **stillwaterdesigns**