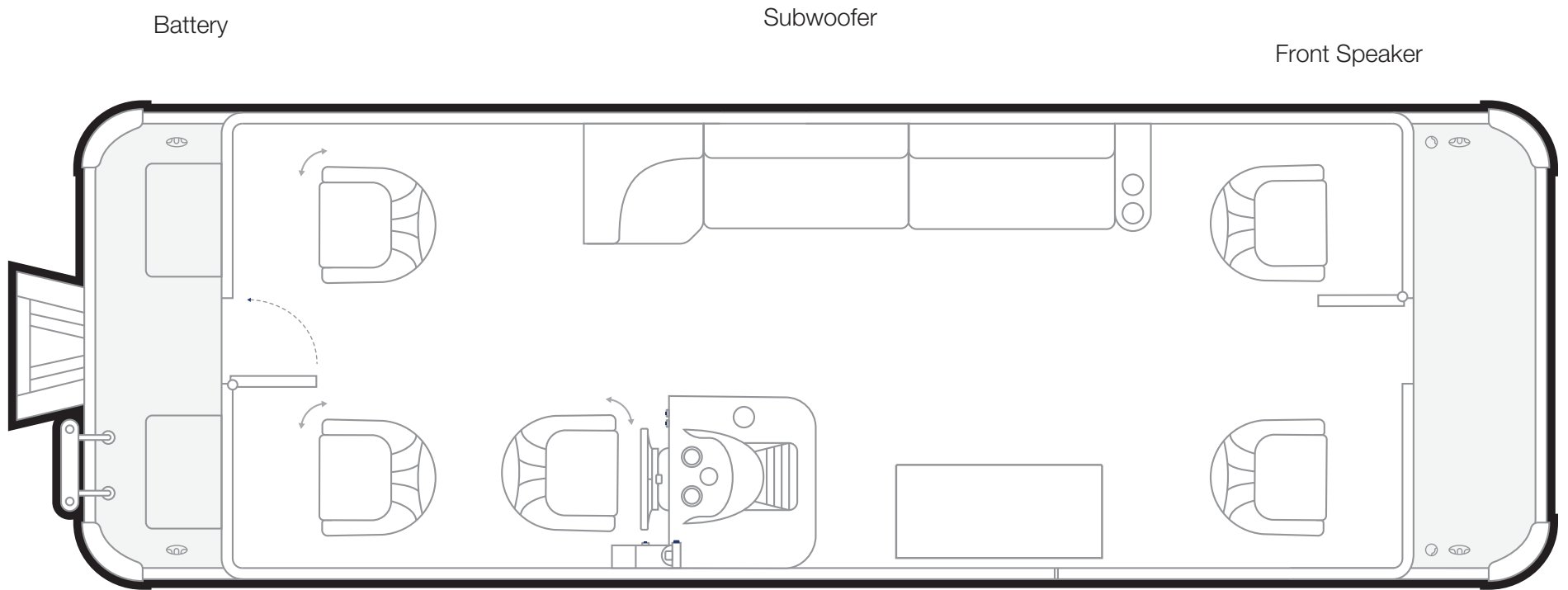


KICKER® PONTON BOAT SYSTEM DESIGN

Name: _____ Phone: _____ Email: _____

Address: _____ Year/Make/Model: _____

Date: _____ Deposit: _____ Install Date: _____



Battery

Subwoofer

Front Speaker

Rear Speaker

Tower System

Head Unit

Wire Kit

Amplifiers

- Take deposit and schedule install. Installation date: _____
- Vehicle check-in list.
- Installation completed.
- Get social-media permission.
- Give literature with suggested upgrade.
- Schedule 30 day system inspection. Date: _____
- Send "Thank you." Date: _____
- Contact customer 3 days after install to verify system status. Date: _____
- Call customer 7 days before system inspection and confirm appointment.

Date: _____

System inspected by, _____ . Date: _____

Upgrade path reminder

Ask for social-media review

Notes _____
