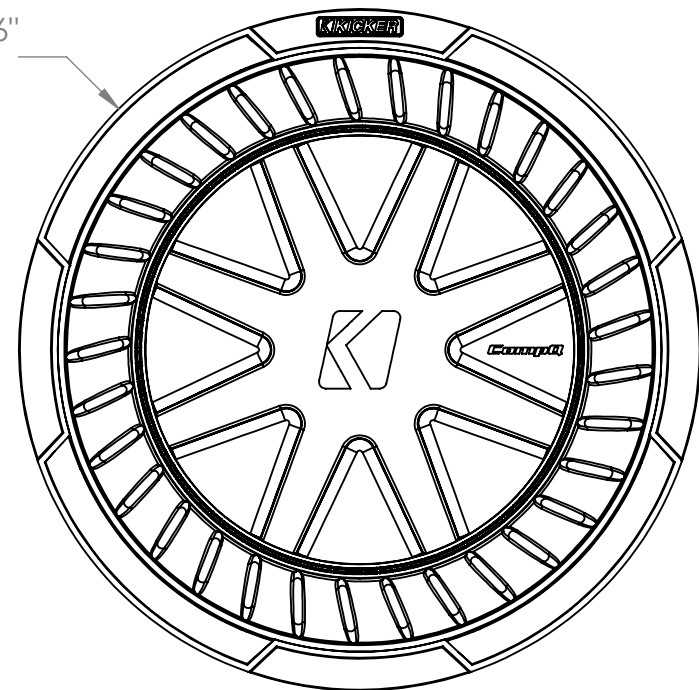


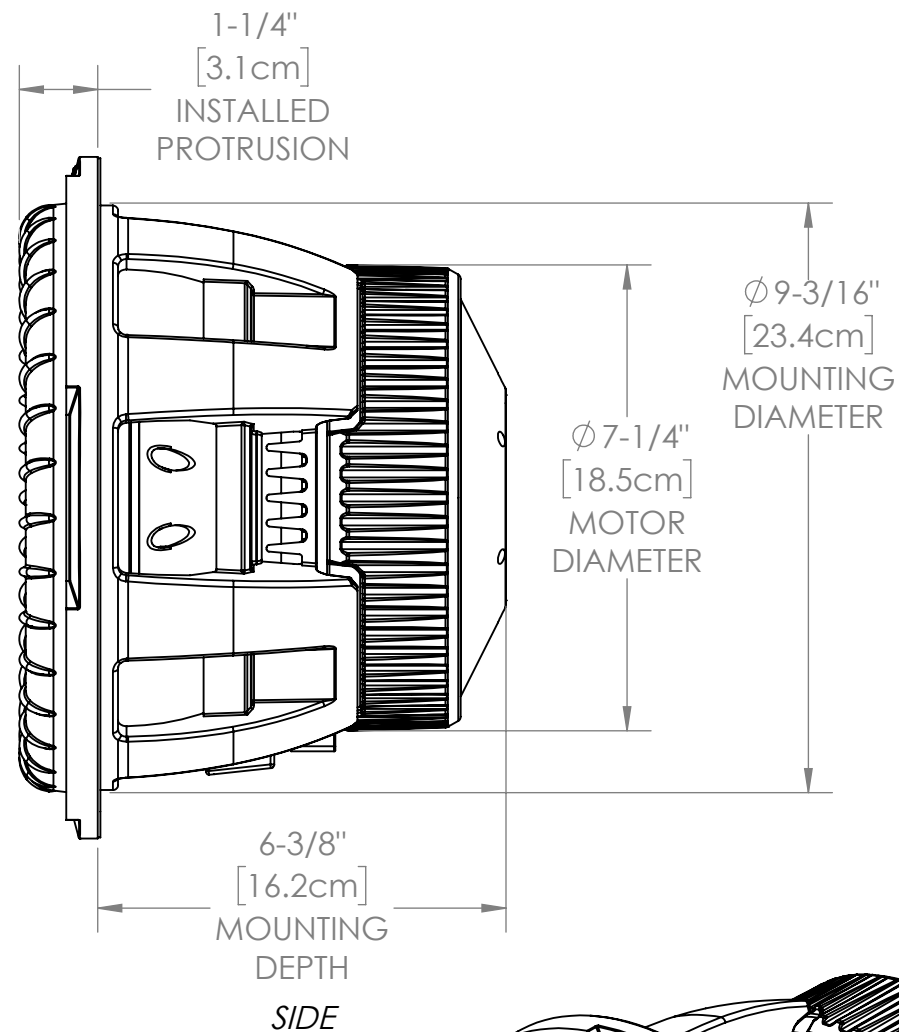
# CARTON ART VIEWS/PUBLISHED DIMENSIONS SHEET

*MOUNTING DEPTH DIMENSION ROUNDED UP TO NEAREST 1/16th"*  
*measured inches convert to mm equivalent add 1.6mm=1/16th then software rounds to nearest 1/16th*

Ø 10-11/16"  
[27.2cm]

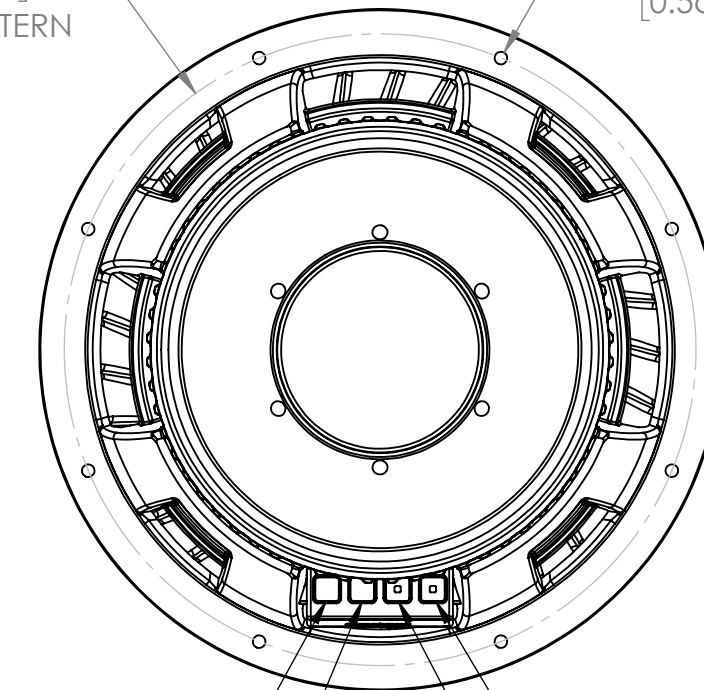


FRONT



Ø 9-7/8"  
[25.1cm]  
HOLE PATTERN

8 x Ø 3/16"  
[0.5cm]



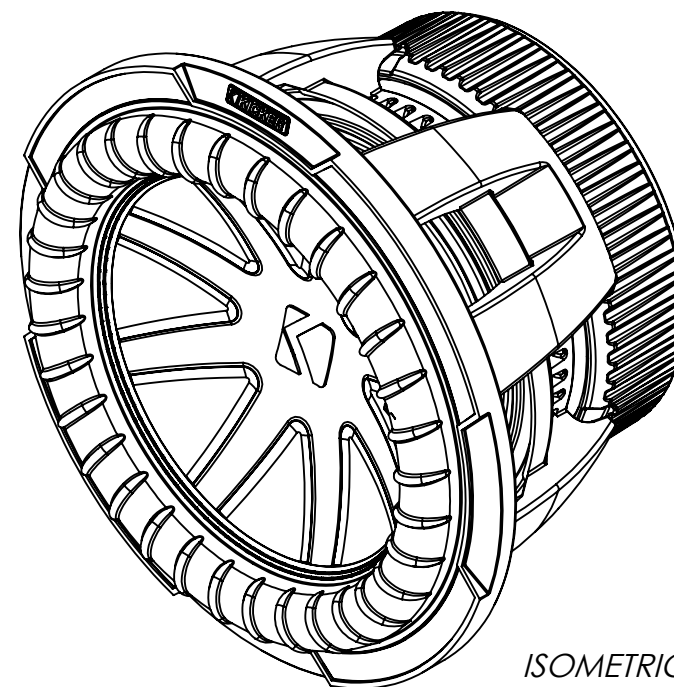
COIL 2  
NEG BLACK

BACK

COIL 1  
POS RED

COIL 2  
POS RED

COIL 1  
NEG BLACK



ISOMETRIC

Item Number	Impedance
42CWQ102	2OHM DVC
42CWQ104	4OHM DVC

CUSTOMER SERVICE DIMENSIONS



DESCRIPTION:  
10" CompQ Subwoofer

SIZE	DWG. NO.	REV	SHEET
B	42CWQ10-CSD	B	1/1