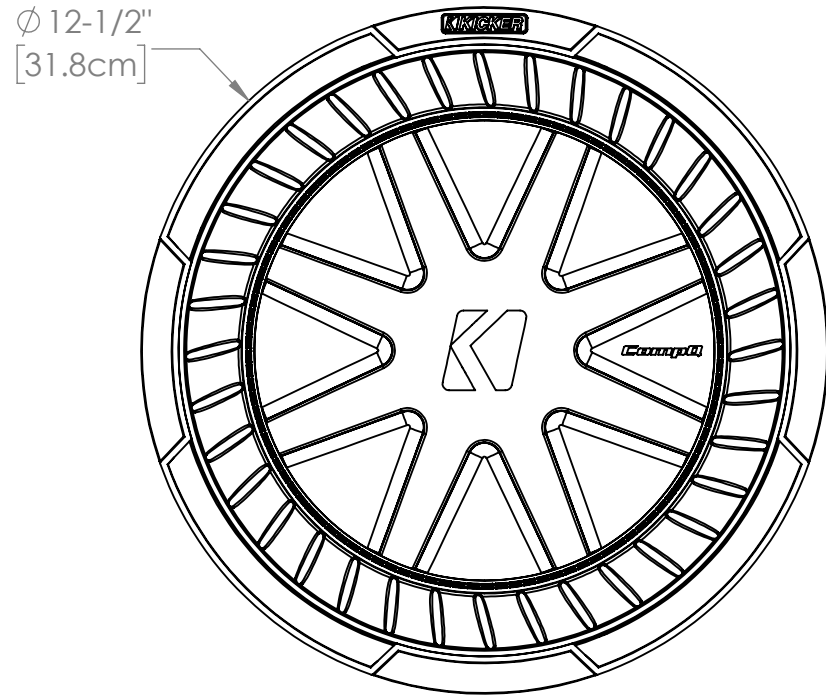
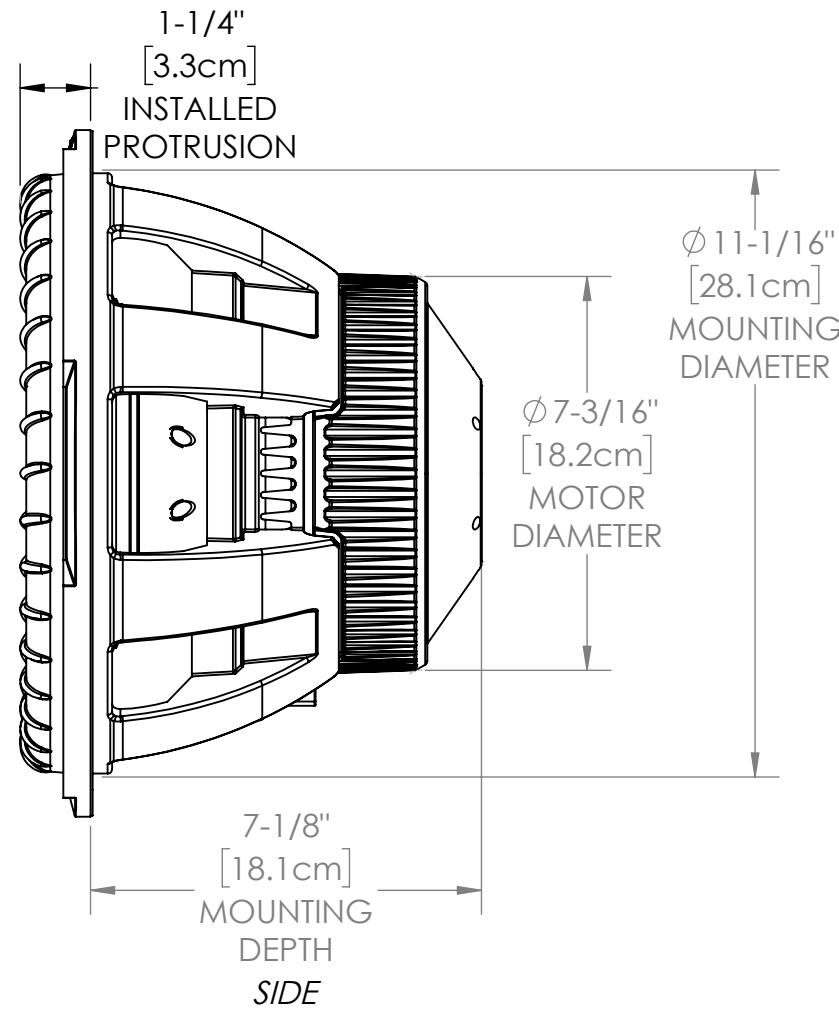


CARTON ART VIEWS/PUBLISHED DIMENSIONS SHEET

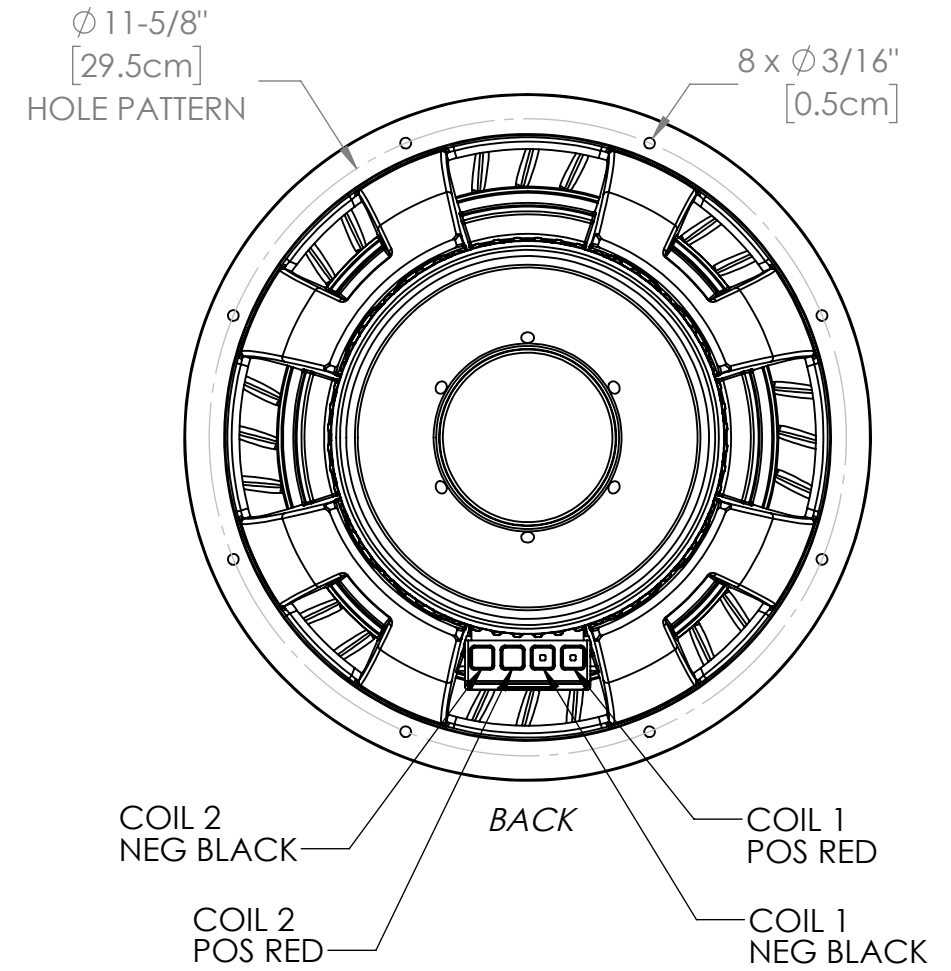
MOUNTING DEPTH DIMENSION ROUNDED UP TO NEAREST 1/16th"
measured inches convert to mm equivalent add 1.6mm=1/16th then software rounds to nearest 1/16th



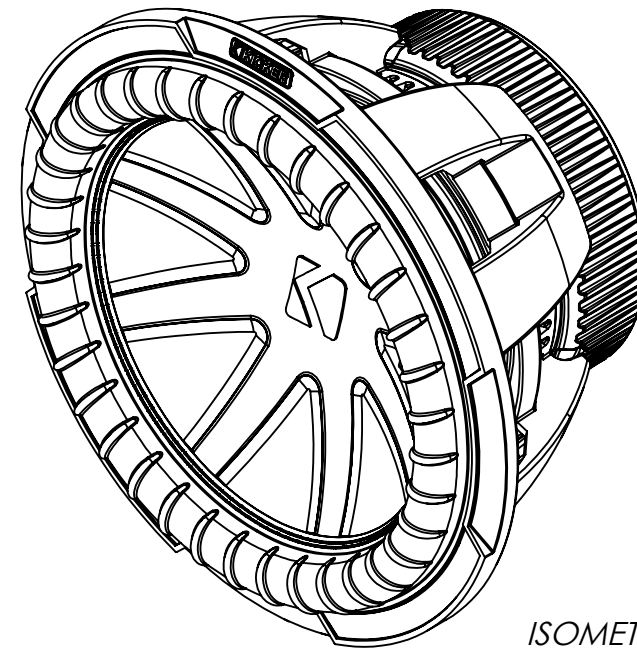
FRONT



7-1/8" [18.1cm]
MOUNTING DEPTH
SIDE



BACK



ISOMETRIC

Item Number	Impedance
42CWQ122	2OHM DVC
42CWQ124	4OHM DVC

CUSTOMER SERVICE DIMENSIONS



DESCRIPTION:
 12" CompQ Subwoofer

SIZE	DWG. NO.	REV	SHEET
B	42CWQ12-CSD	B	1/1