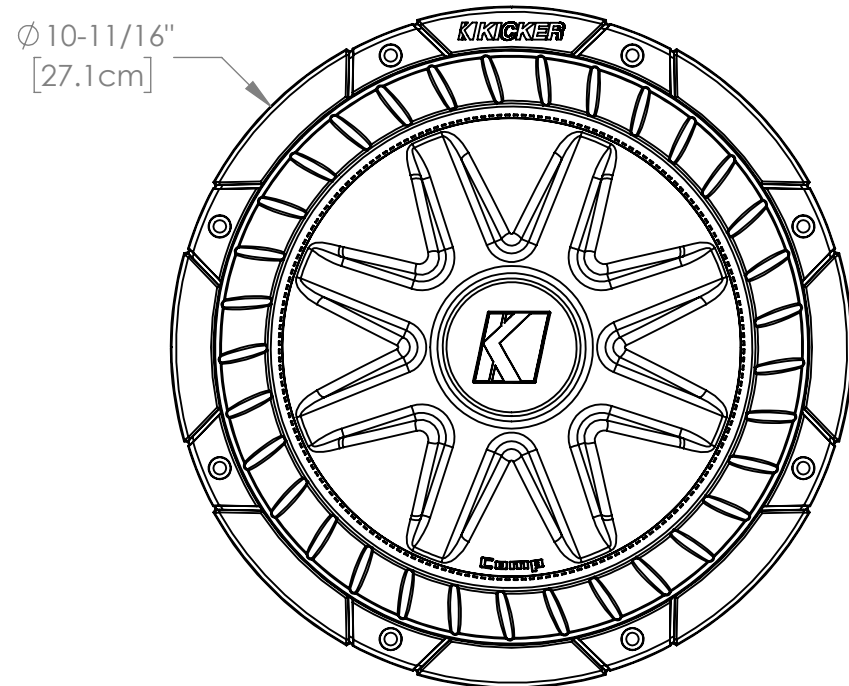
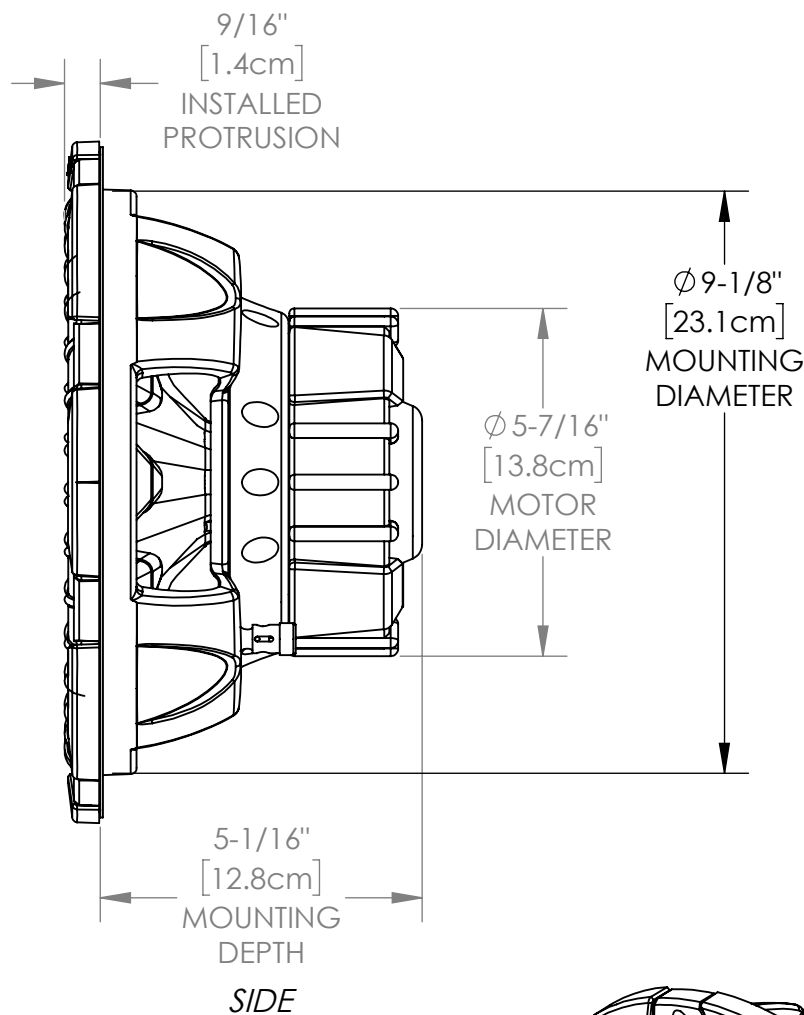


CARTON ART VIEWS/PUBLISHED DIMENSIONS SHEET

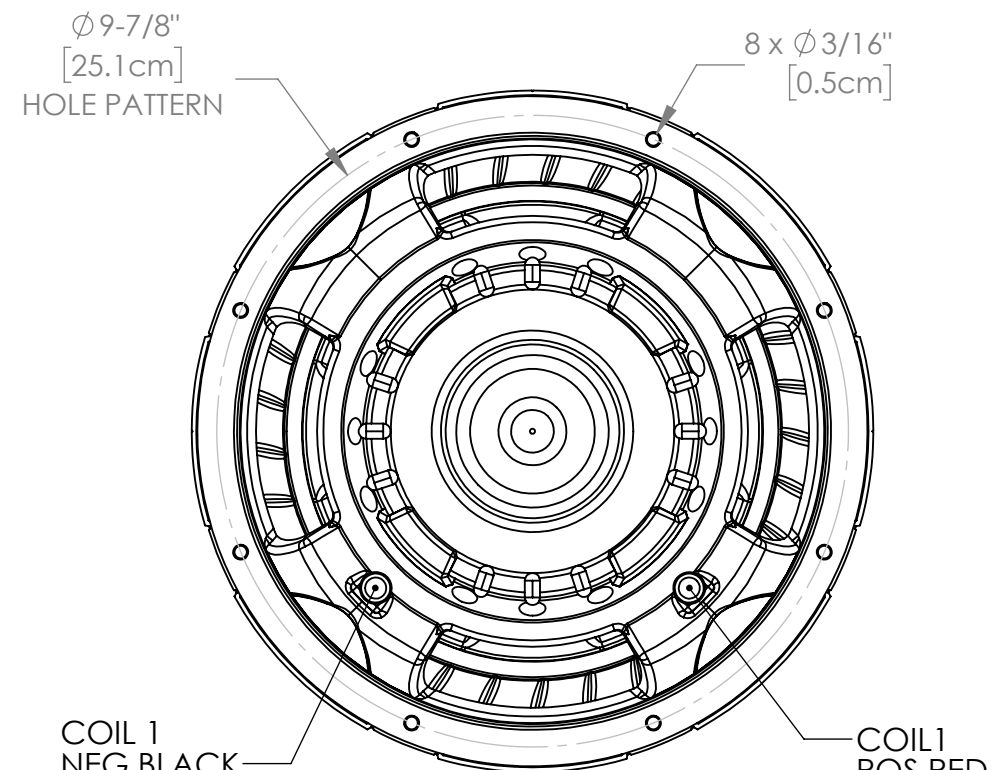
MOUNTING DEPTH DIMENSION ROUNDED UP TO NEAREST 1/16th"
measured inches convert to mm equivalent add 1.6mm=1/16th then software rounds to nearest 1/16th



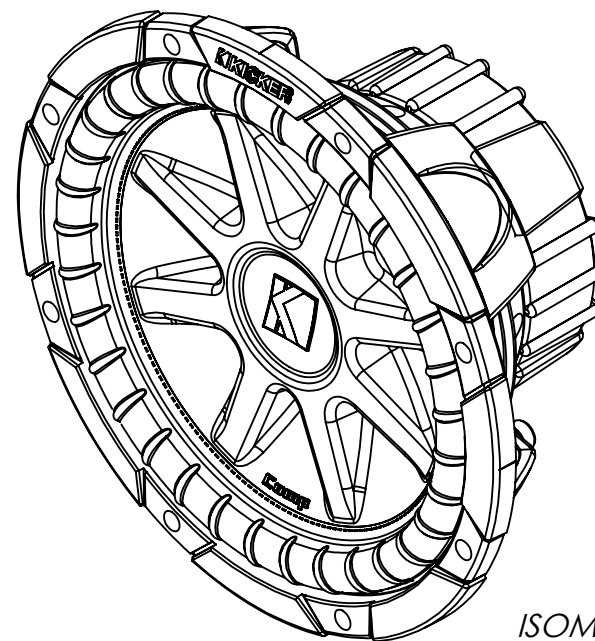
FRONT



SIDE



BACK



ISOMETRIC

Item Number	Impedance
43C104	4OHM SVC

CUSTOMER SERVICE DIMENSIONS



DESCRIPTION:
 10" Comp Subwoofer

SIZE	DWG. NO.	REV	SHEET
B	43C10-CSD	A	1/1