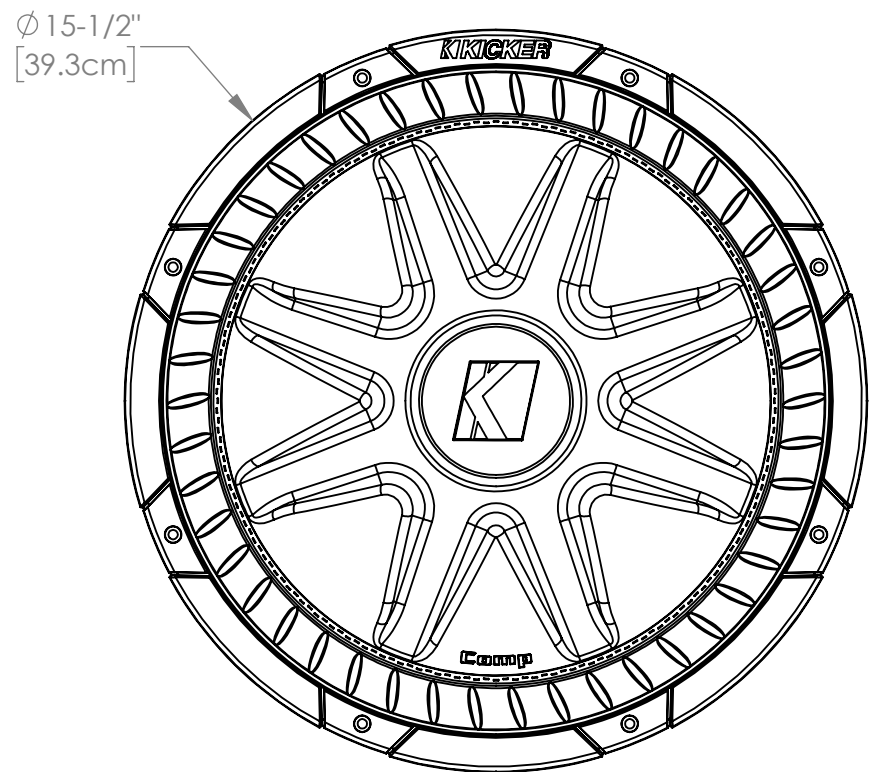
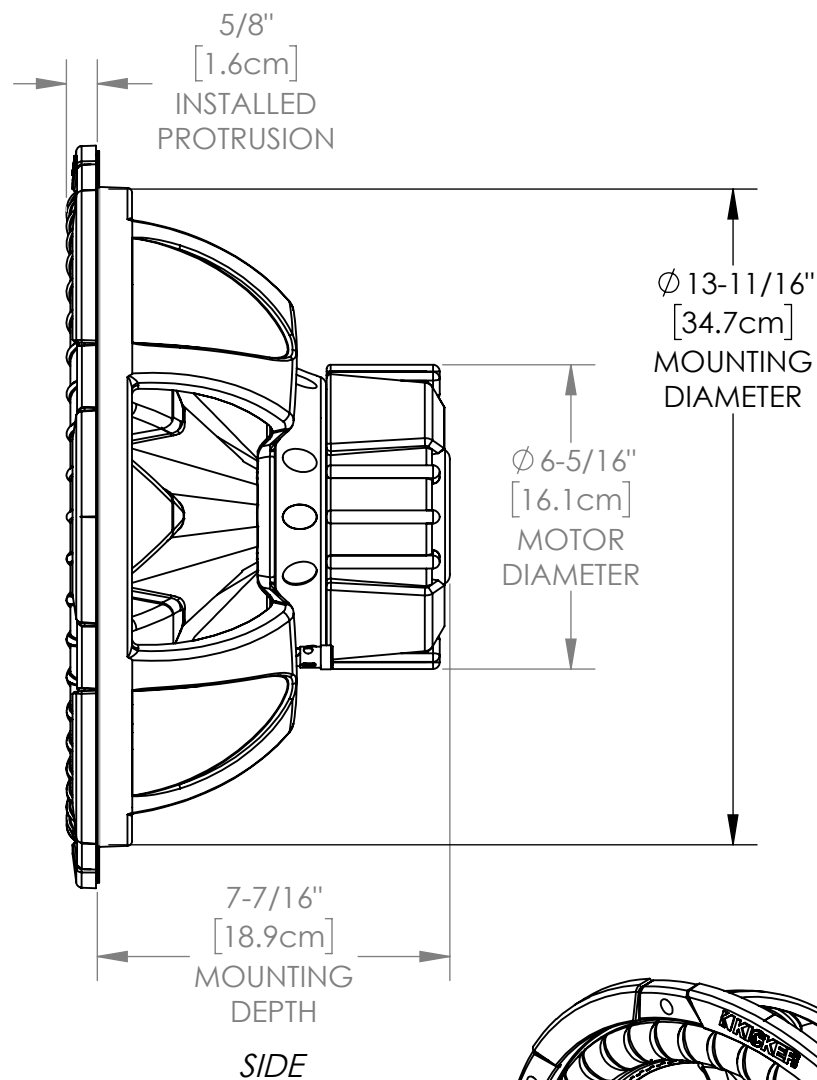


# CARTON ART VIEWS/PUBLISHED DIMENSIONS SHEET

*MOUNTING DEPTH DIMENSION ROUNDED UP TO NEAREST 1/16th"*  
*measured inches convert to mm equivalent add 1.6mm=1/16th then software rounds to nearest 1/16th*

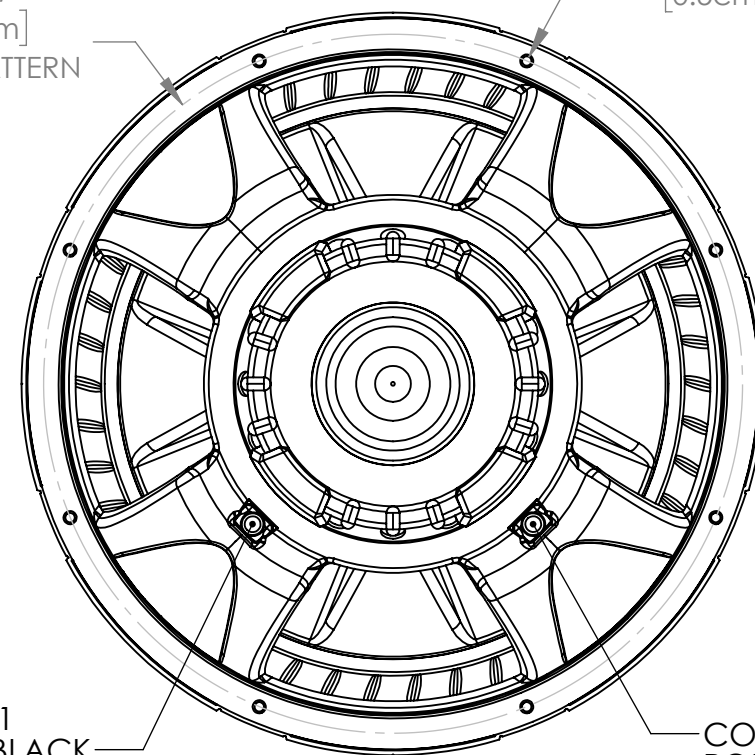


FRONT

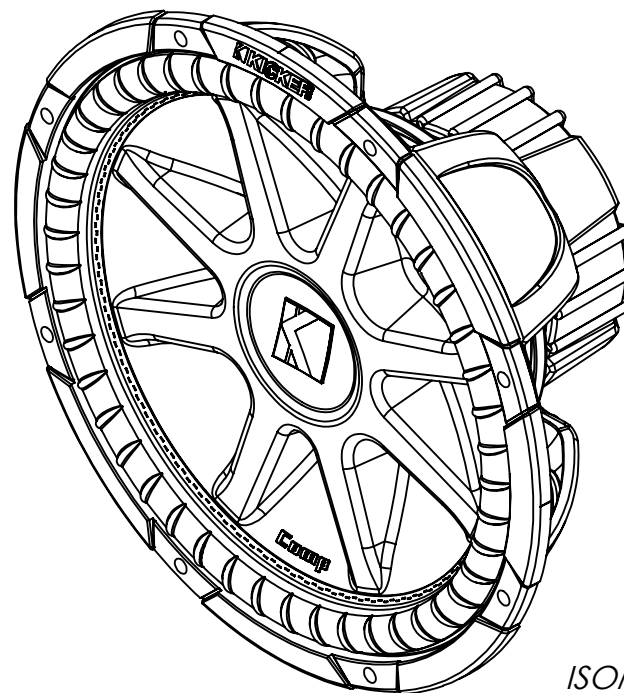


SIDE

$\phi 14-9/16"$   
[37cm]  
HOLE PATTERN



BACK



ISOMETRIC

Item Number	Impedance
43C154	4OHM SVC

CUSTOMER SERVICE DIMENSIONS



DESCRIPTION:  
15" Comp Subwoofer

SIZE	DWG. NO.	REV	SHEET
B	43C15-CSD	A	1/1