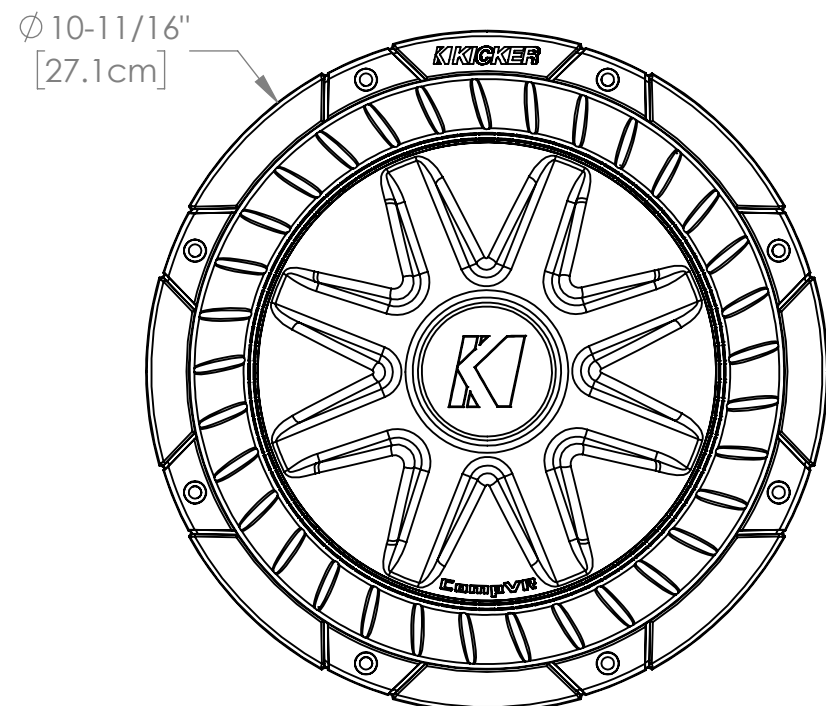


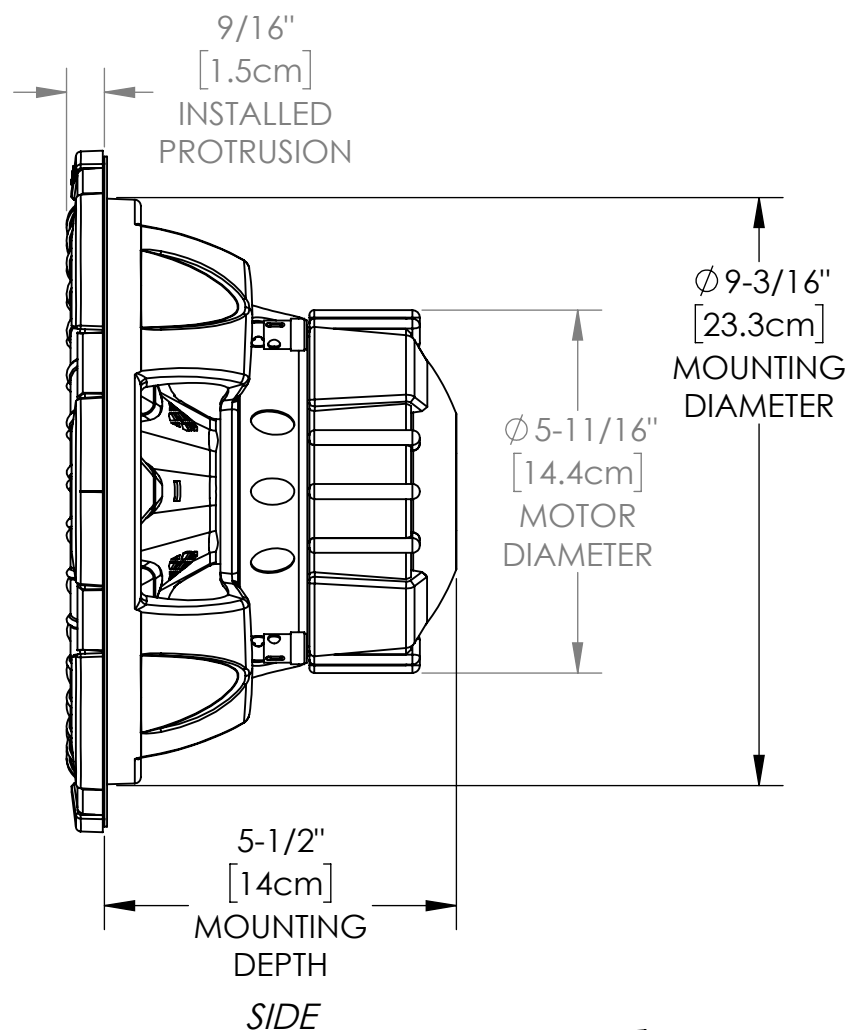
CARTON ART VIEWS/PUBLISHED DIMENSIONS SHEET

MOUNTING DEPTH DIMENSION ROUNDED UP TO NEAREST 1/16th"
measured inches convert to mm equivalent add 1.6mm=1/16th then software rounds to nearest 1/16th



FRONT

Ø10-11/16"
[27.1cm]

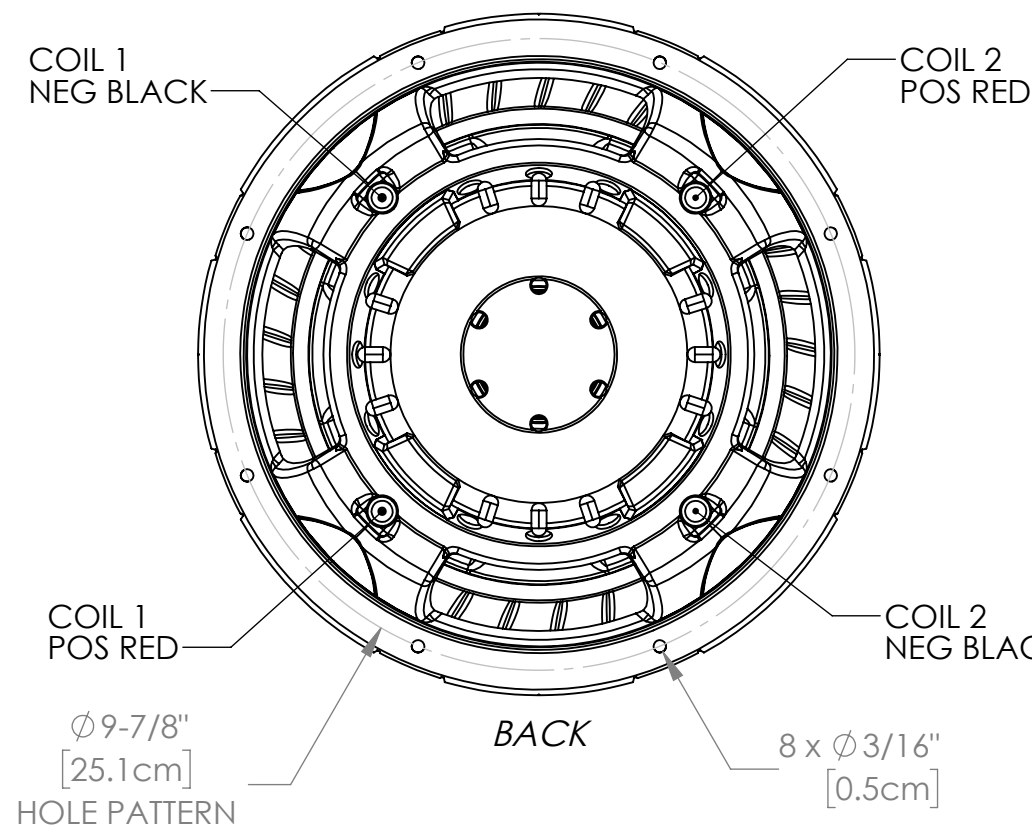


9/16"
[1.5cm]
INSTALLED
PROTRUSION

Ø9-3/16"
[23.3cm]
MOUNTING
DIAMETER

Ø5-11/16"
[14.4cm]
MOTOR
DIAMETER

5-1/2"
[14cm]
MOUNTING
DEPTH
SIDE



COIL 1
NEG BLACK

COIL 2
POS RED

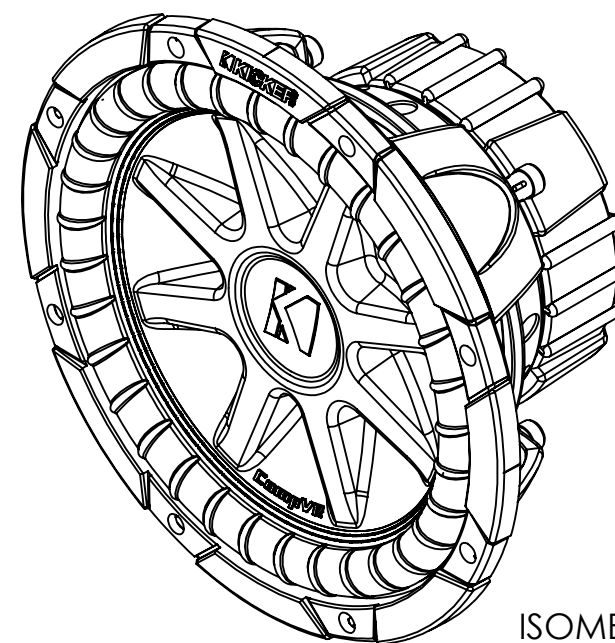
COIL 1
POS RED

COIL 2
NEG BLACK

Ø9-7/8"
[25.1cm]
HOLE PATTERN

BACK

8 x Ø3/16"
[0.5cm]



ISOMETRIC

| Item Number | Impedance |
|-------------|-----------|
| 43CVR102 | 2OHM DVC |
| 43CVR104 | 4OHM DVC |

CUSTOMER SERVICE DIMENSIONS



DESCRIPTION:
10" CompVR Subwoofer

SIZE DWG. NO. REV SHEET
B 43CVR10-CSD A 1/1