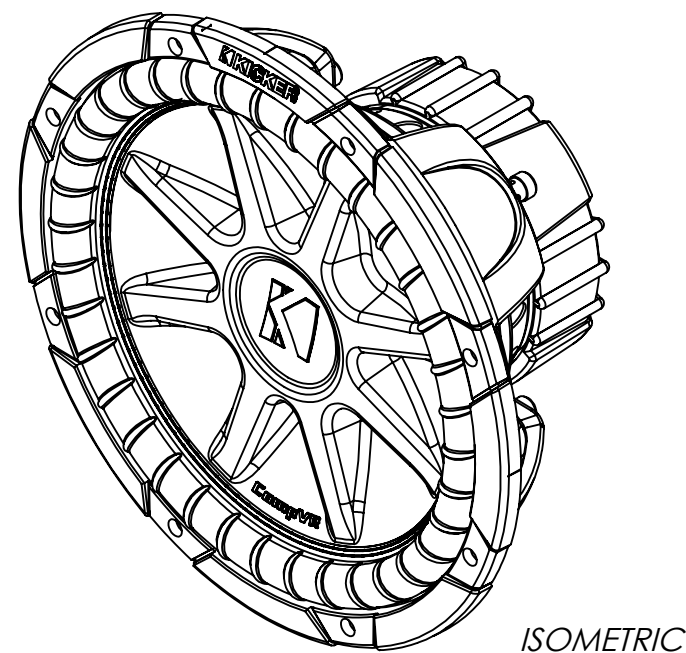
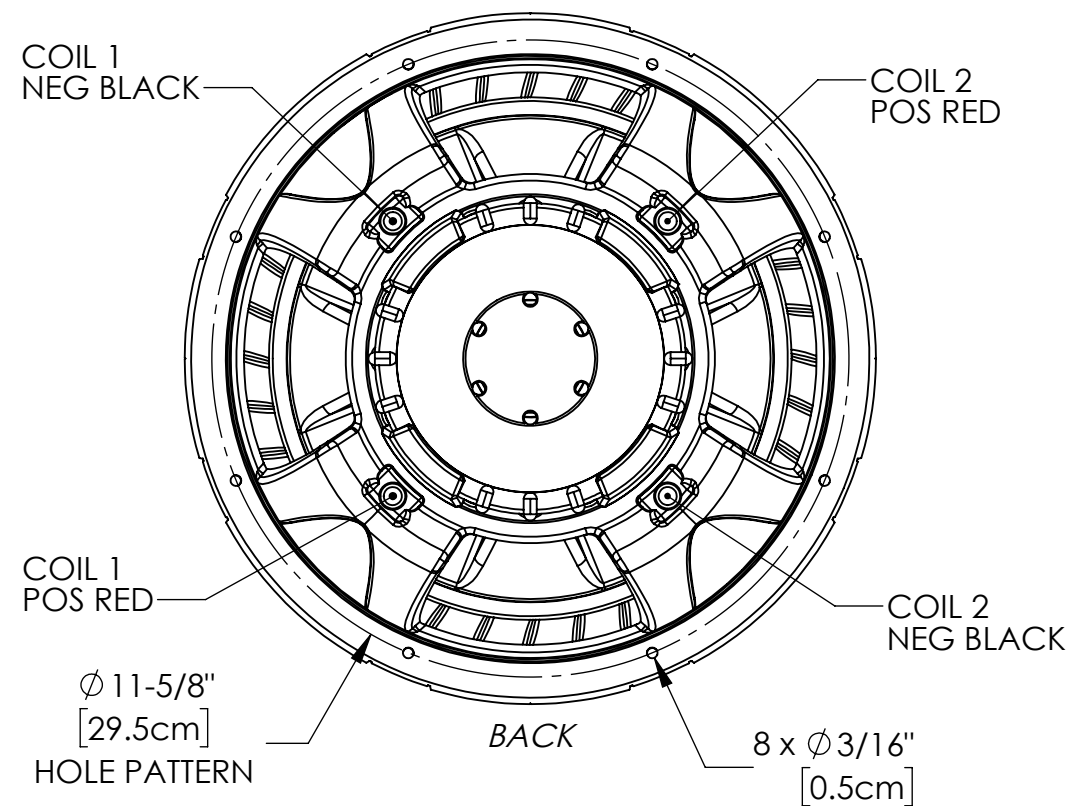
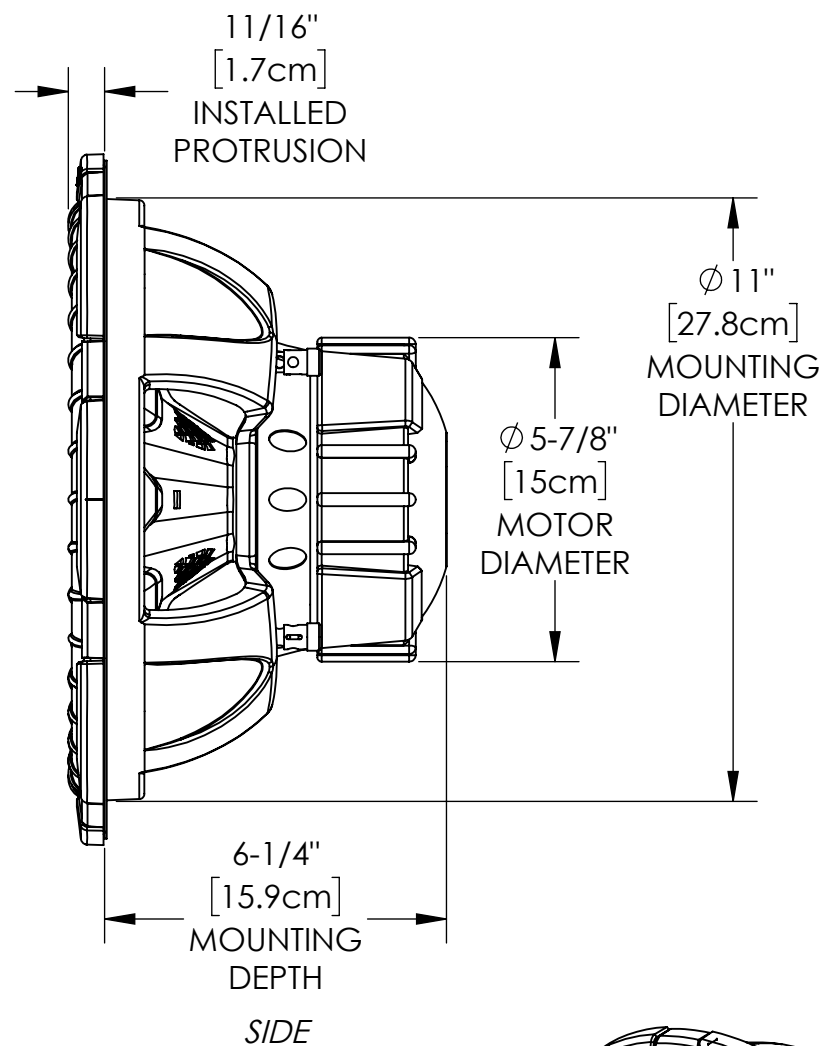
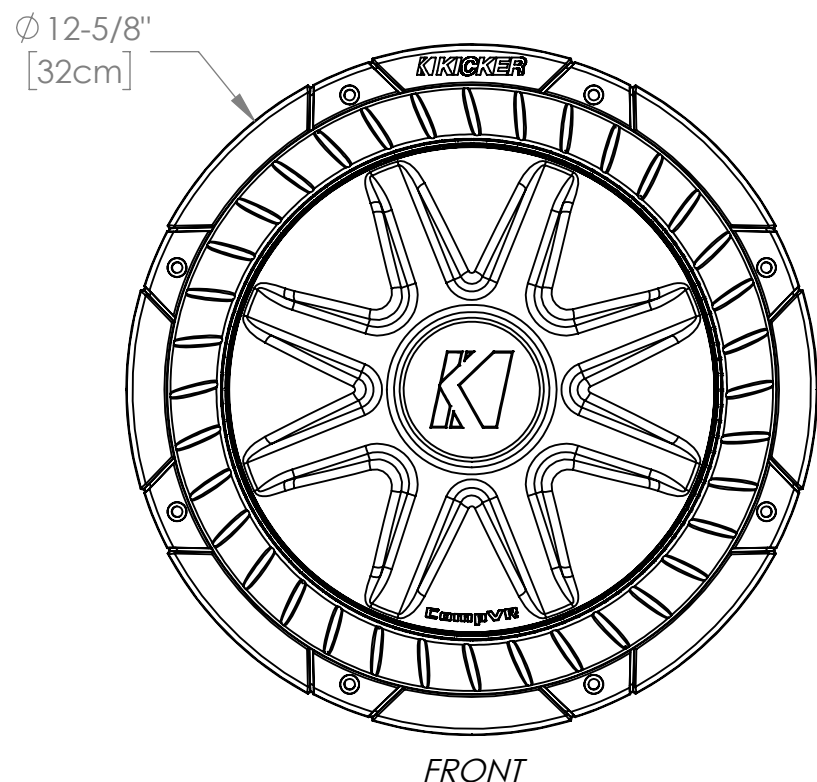


CARTON ART VIEWS/PUBLISHED DIMENSIONS SHEET

MOUNTING DEPTH DIMENSION ROUNDED UP TO NEAREST 1/16th"
measured inches convert to mm equivalent add 1.6mm=1/16th then software rounds to nearest 1/16th



| Item Number | Impedance |
|-------------|-----------|
| 43CVR122 | 2OHM DVC |
| 43CVR124 | 4OHM DVC |

CUSTOMER SERVICE DIMENSIONS



DESCRIPTION:
12" CompVR Subwoofer

SIZE DWG. NO. REV SHEET
B 43CVR12-CSD A 1/1