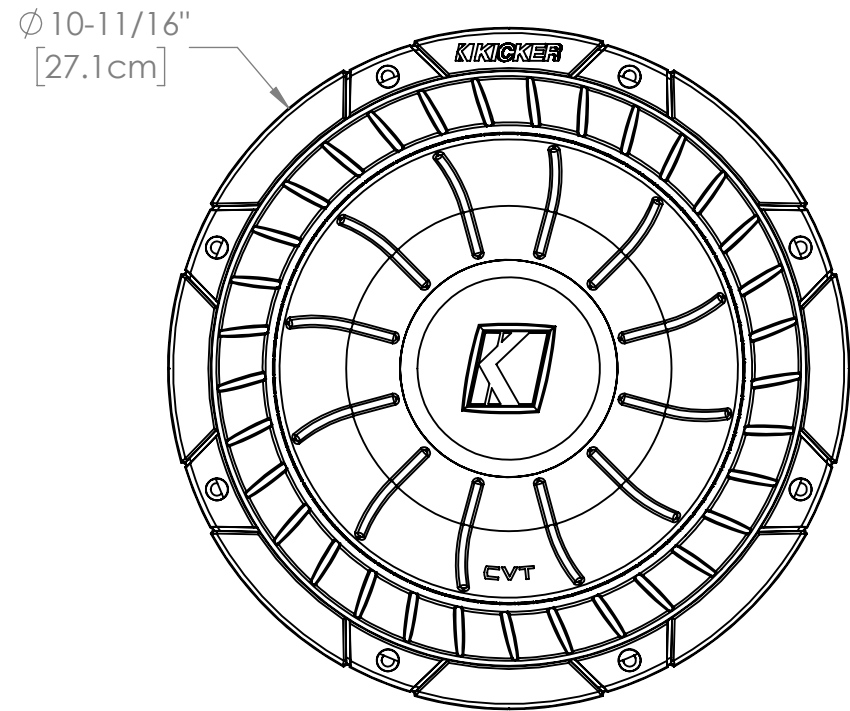
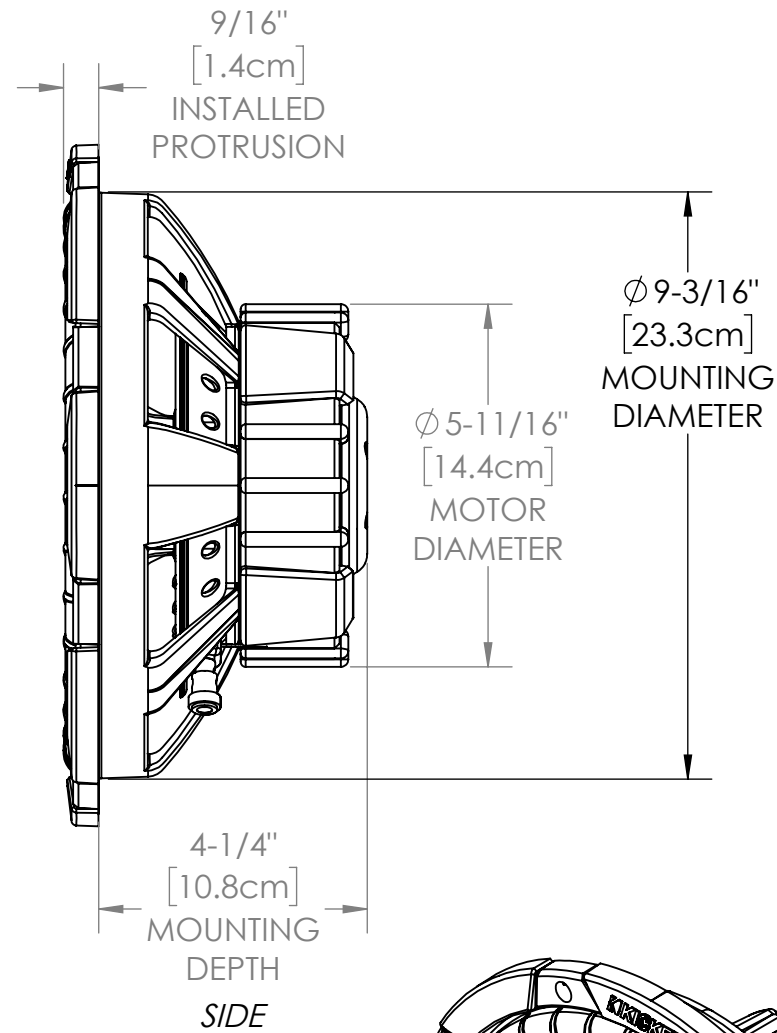


CARTON ART VIEWS/PUBLISHED DIMENSIONS SHEET

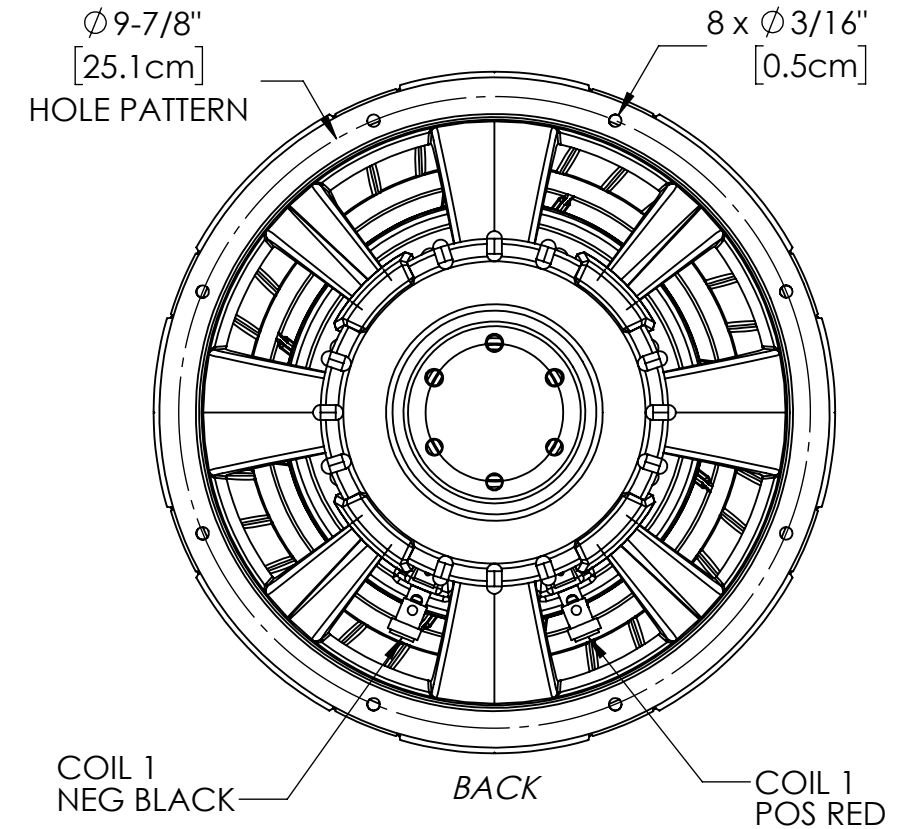
*MOUNTING DEPTH DIMENSION ROUNDED UP TO NEAREST 1/16th"
measured inches convert to mm equivalent add
1.6mm=1/16th then software rounds to nearest 1/16th*



FRONT



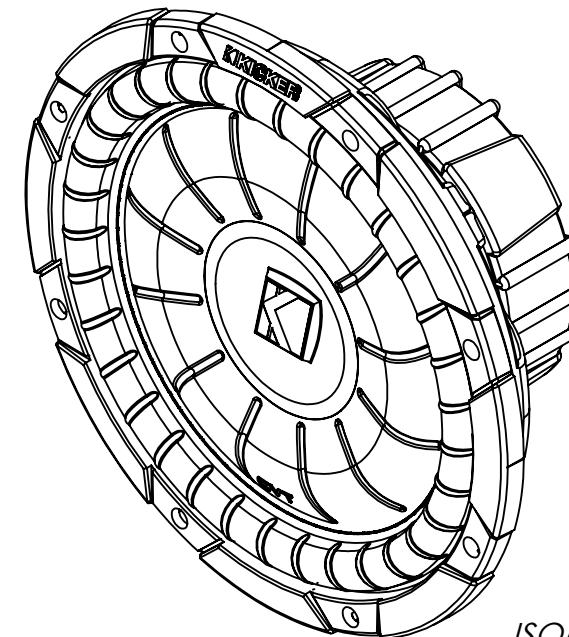
4-1/4"
[10.8cm]
MOUNTING
DEPTH
SIDE



COIL 1
NEG BLACK

BACK

COIL 1
POS RED



ISOMETRIC

Item Number	Impedance
43CVT102	2OHM SVC
43CVT104	4OHM SVC

CUSTOMER SERVICE DIMENSIONS



DESCRIPTION:
10" CompVT Subwoofer

SIZE	DWG. NO.	REV	SHEET
B	43CVT10-CSD	B	1/2