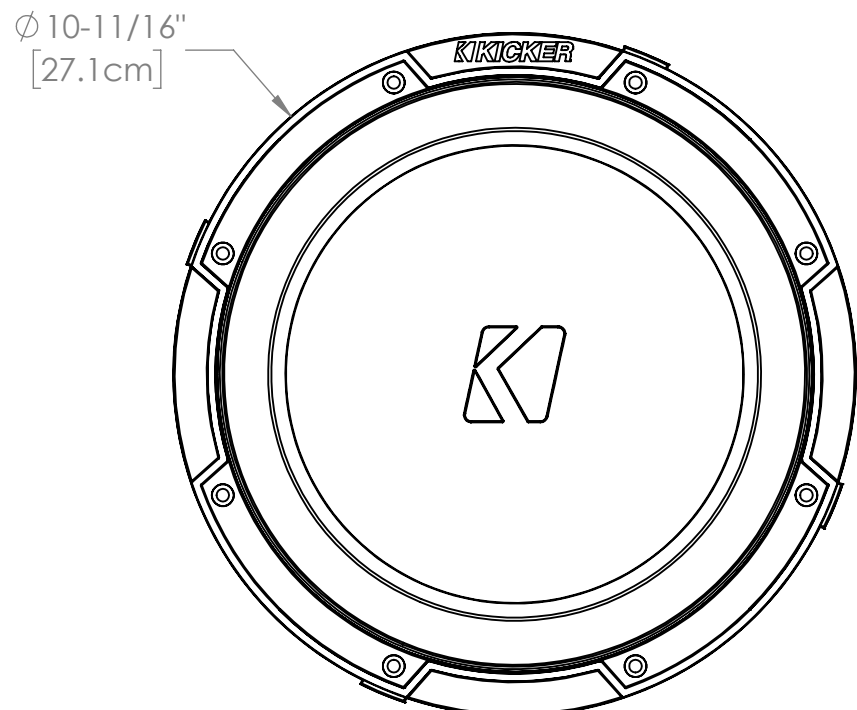
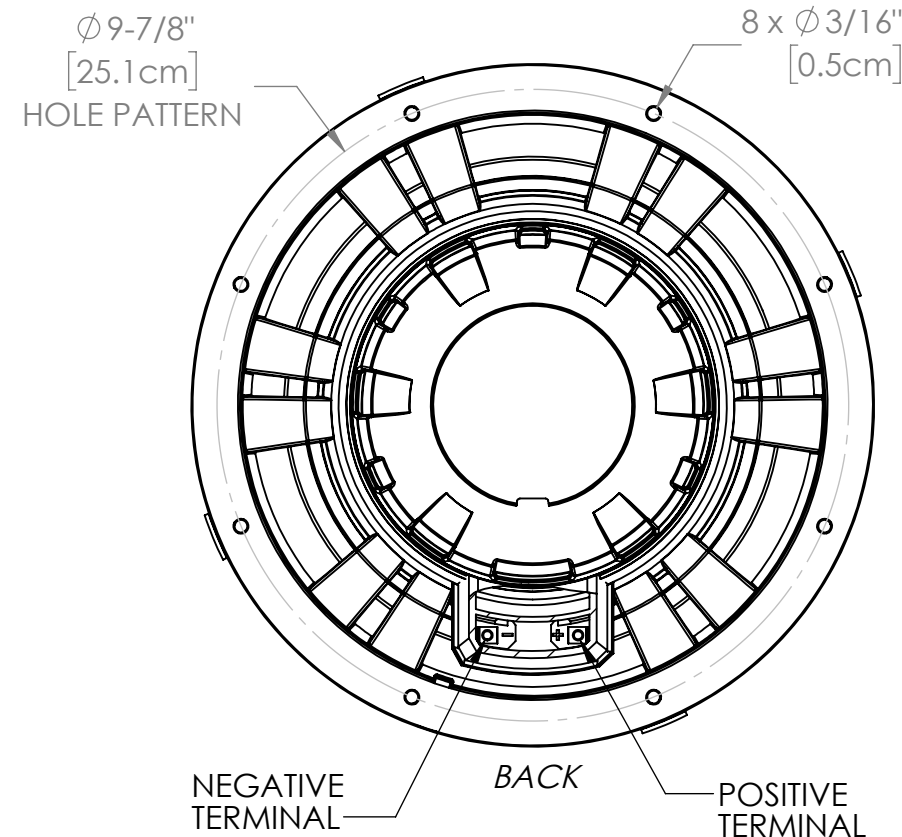
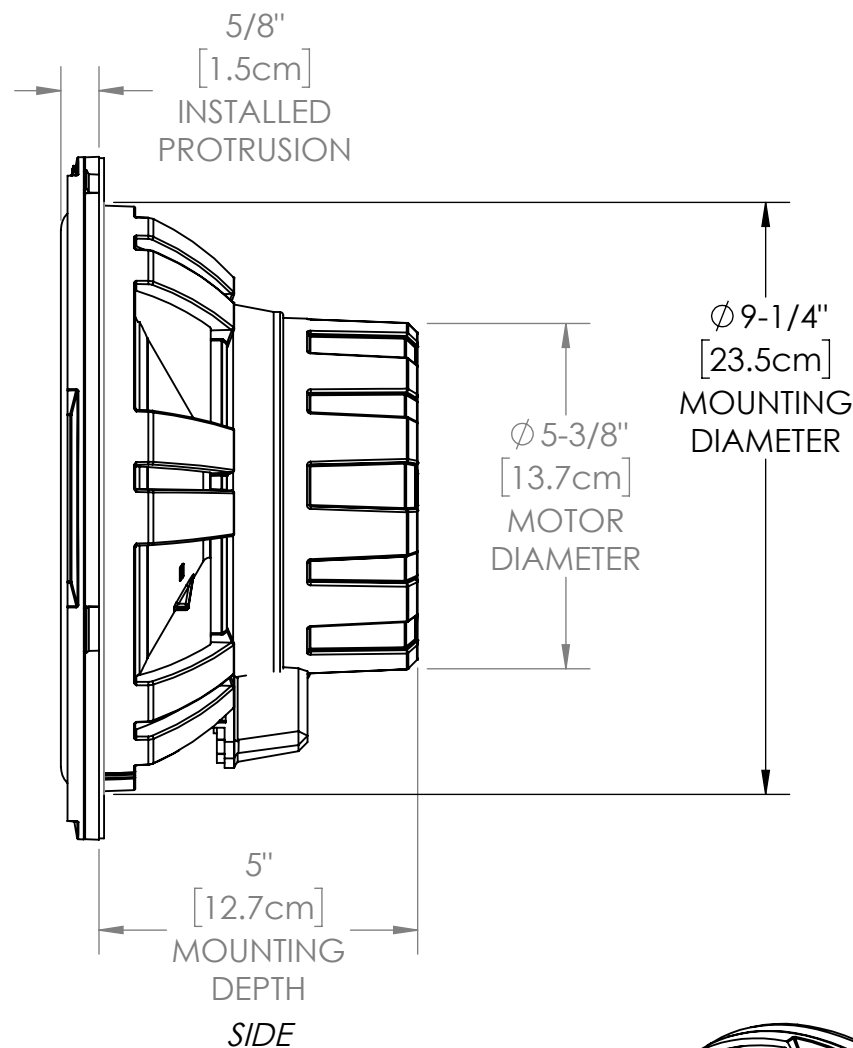


# CARTON ART VIEWS/PUBLISHED DIMENSIONS SHEET

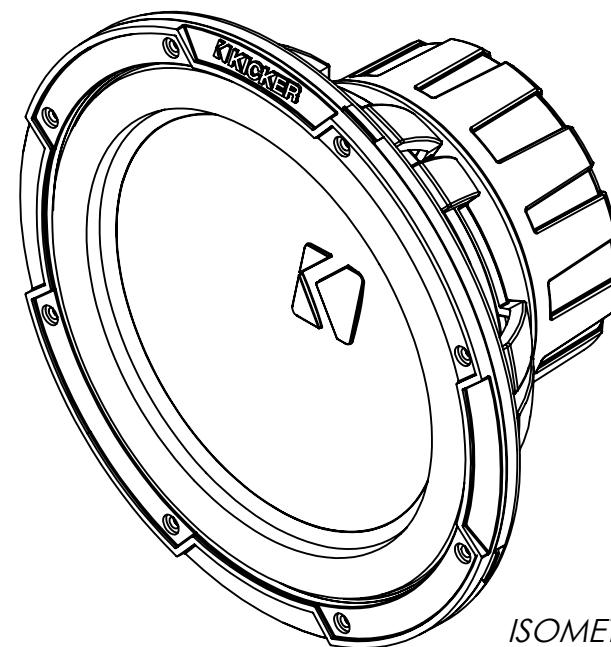
*MOUNTING DEPTH DIMENSION ROUNDED UP TO NEAREST 1/16th"*  
*measured inches convert to mm equivalent add 1.6mm=1/16th then software rounds to nearest 1/16th*



FRONT



NEGATIVE TERMINAL BACK POSITIVE TERMINAL



Item Number	Impedance	Mounting
45KM102	2OHM	Enclosure
45KM104	4OHM	Enclosure
45KMF102	2OHM	Free-Air
45KMF104	4OHM	Free-Air

## CUSTOMER SERVICE DIMENSIONS



DESCRIPTION:  
 10" KM/KMF Marine Subwoofer

SIZE DWG. NO. REV SHEET  
 B 45KM10-CSD B 1/1