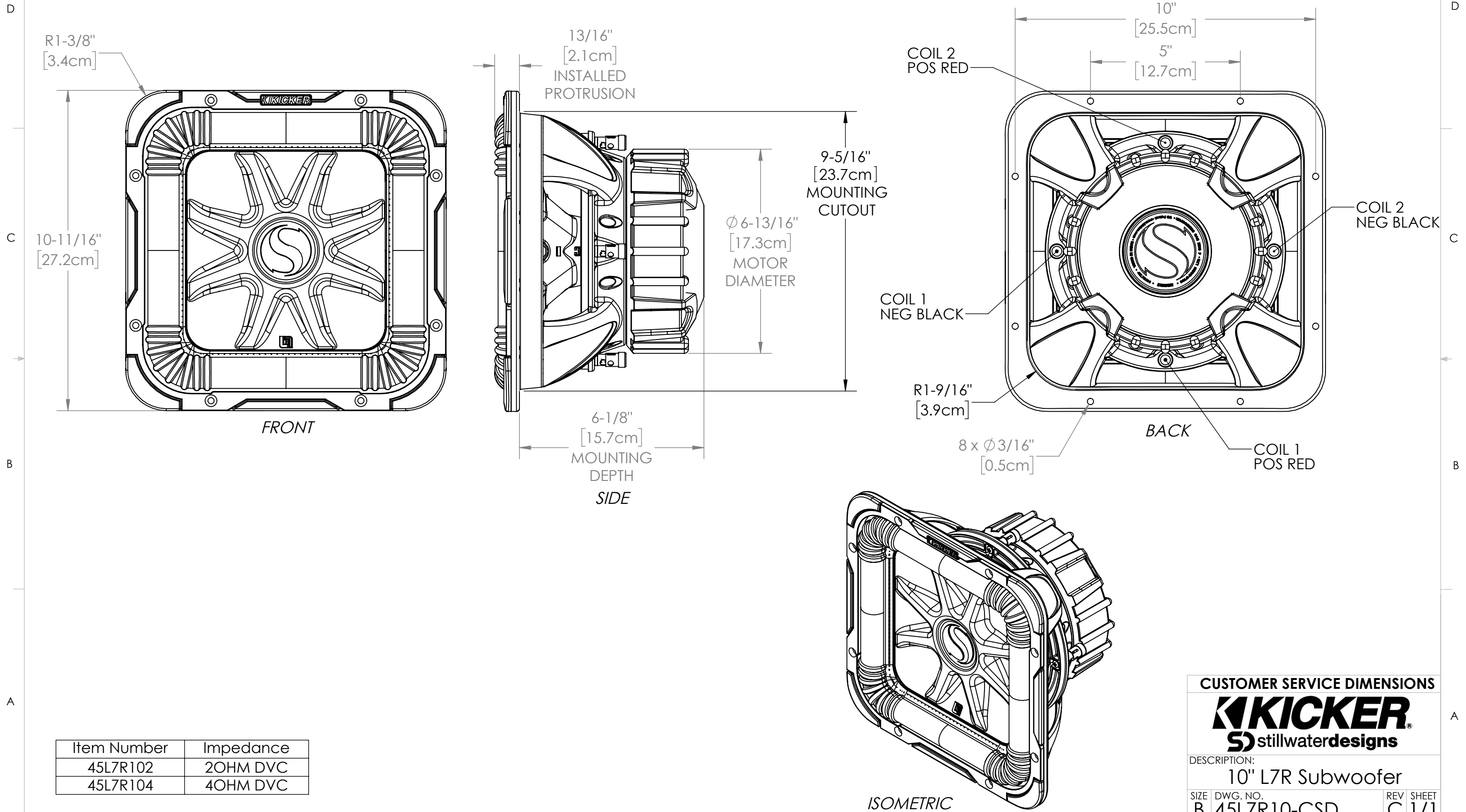


CARTON ART VIEWS/PUBLISHED DIMENSIONS SHEET

MOUNTING DEPTH DIMENSION ROUNDED UP TO NEAREST 1/16th"
measured inches convert to mm equivalent add 1.6mm=1/16th then software rounds to nearest 1/16th



Item Number	Impedance
45L7R102	2OHM DVC
45L7R104	4OHM DVC

CUSTOMER SERVICE DIMENSIONS

KICKER
stillwaterdesigns

DESCRIPTION:
10" L7R Subwoofer

SIZE	DWG. NO.	REV	SHEET
B	45L7R10-CSD	C	1/1