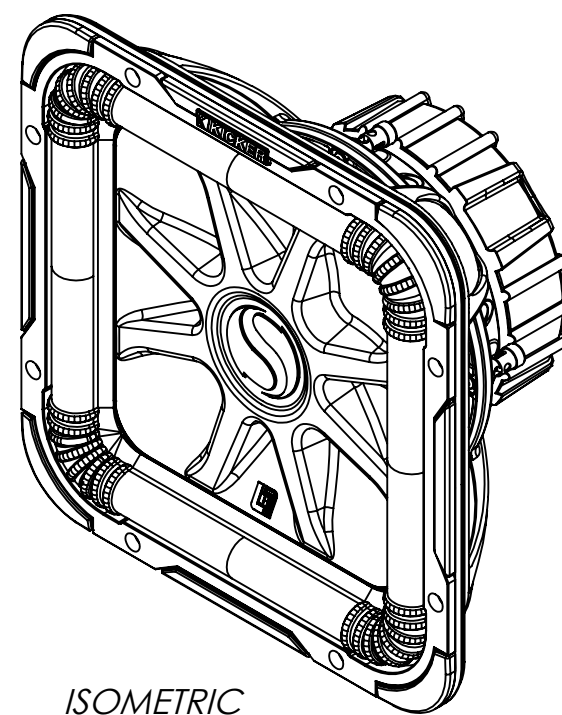
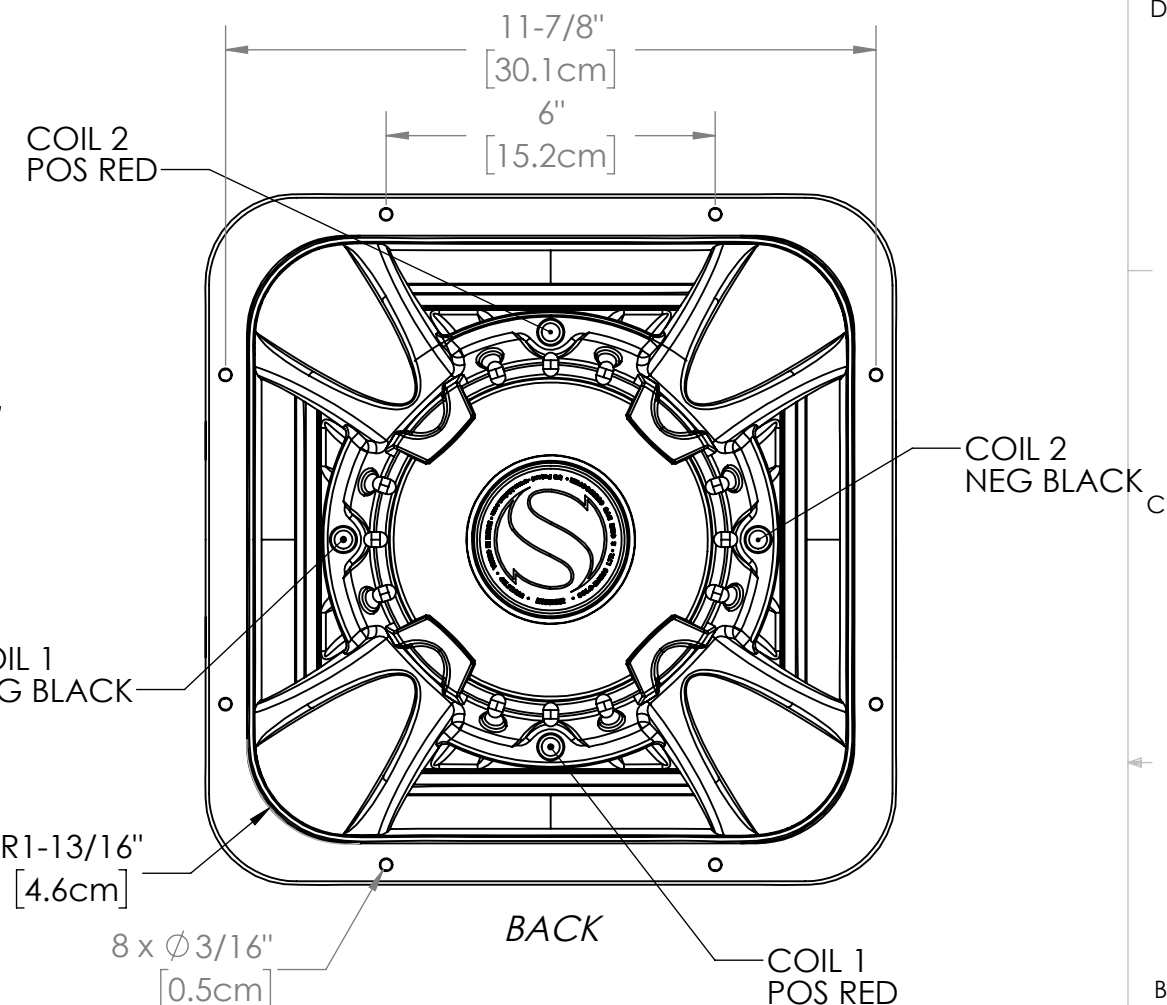
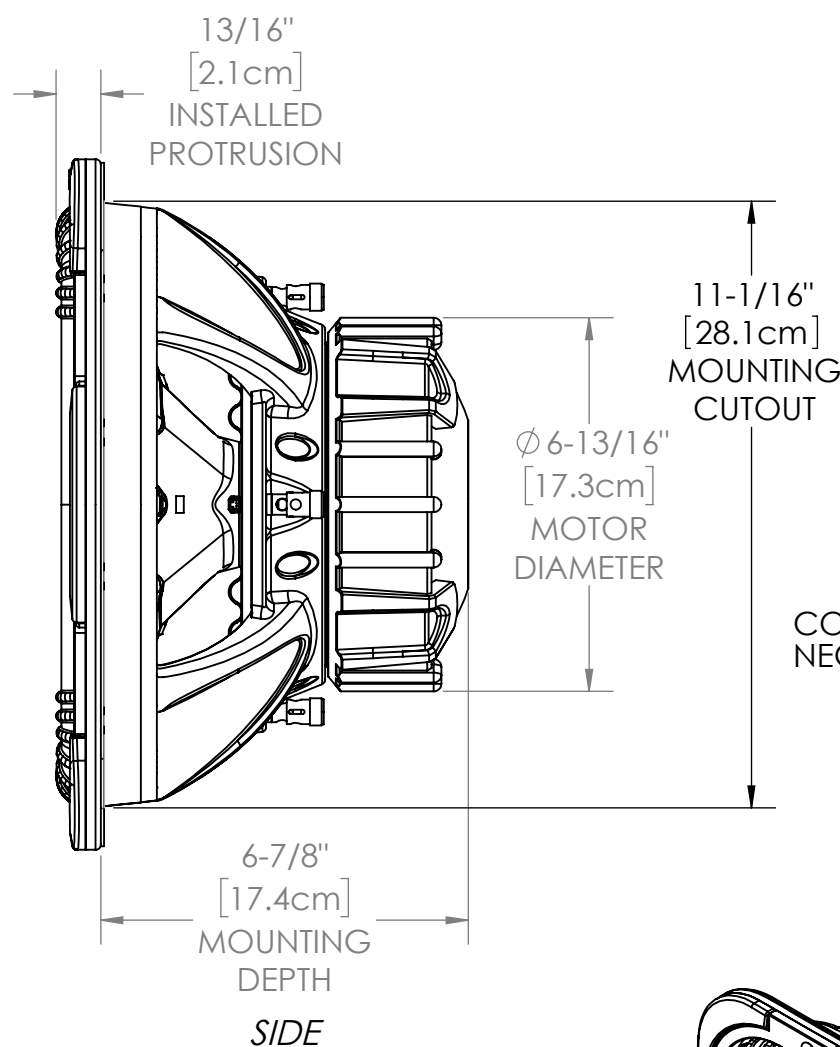
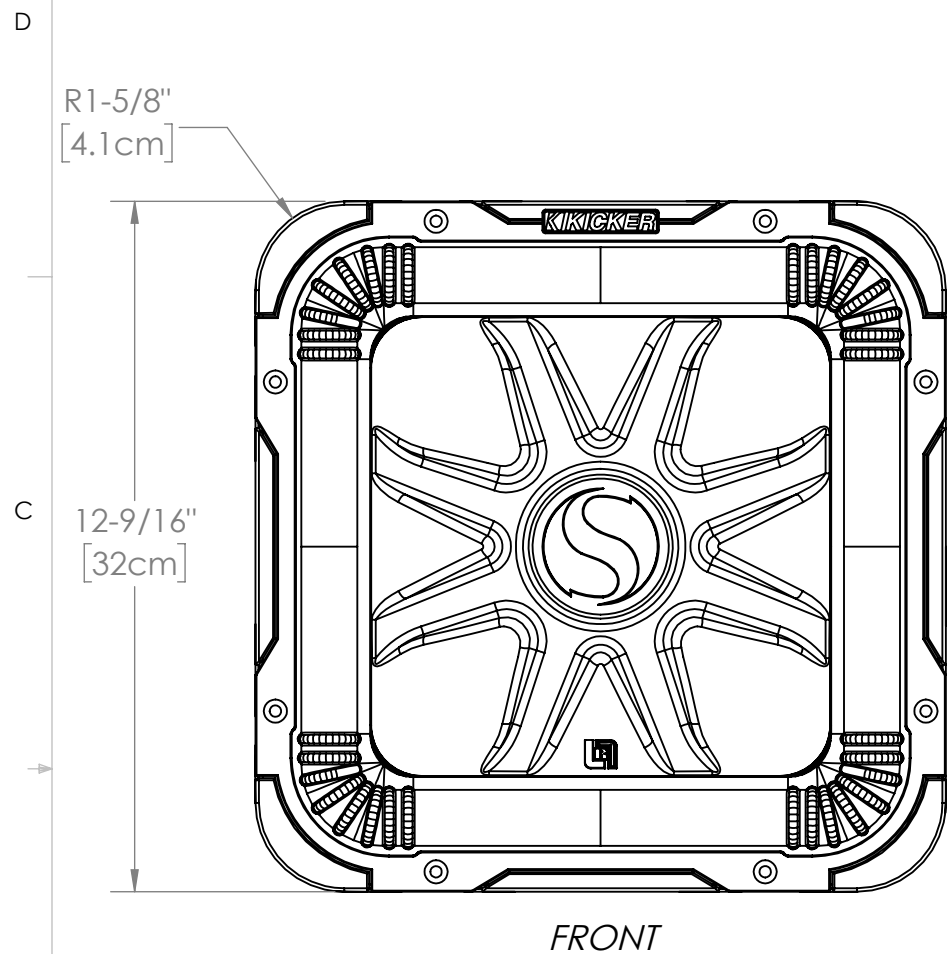


CARTON ART VIEWS/PUBLISHED DIMENSIONS SHEET

*MOUNTING DEPTH DIMENSION ROUNDED UP TO NEAREST 1/16th"
measured inches convert to mm equivalent add
1.6mm=1/16th then software rounds to nearest 1/16th*



Item Number	Impedance
45L7R122	2OHM DVC
45L7R124	4OHM DVC

CUSTOMER SERVICE DIMENSIONS



DESCRIPTION:
12" L7R Subwoofer

SIZE	DWG. NO.	REV	SHEET
B	45L7R12-CSD	C	1/1