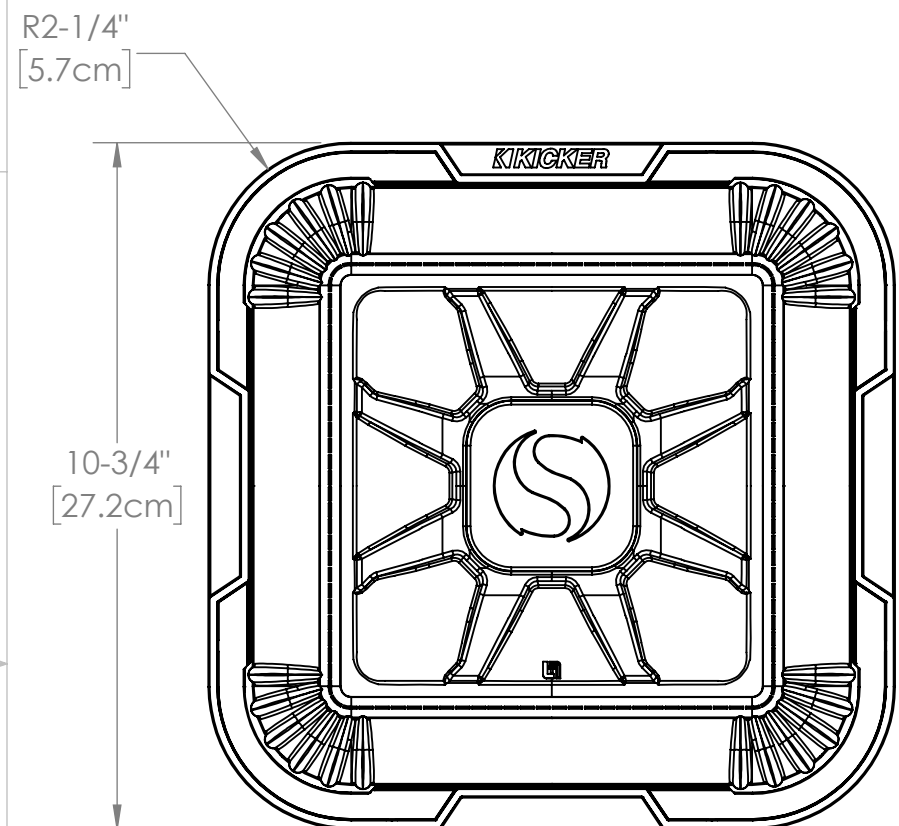
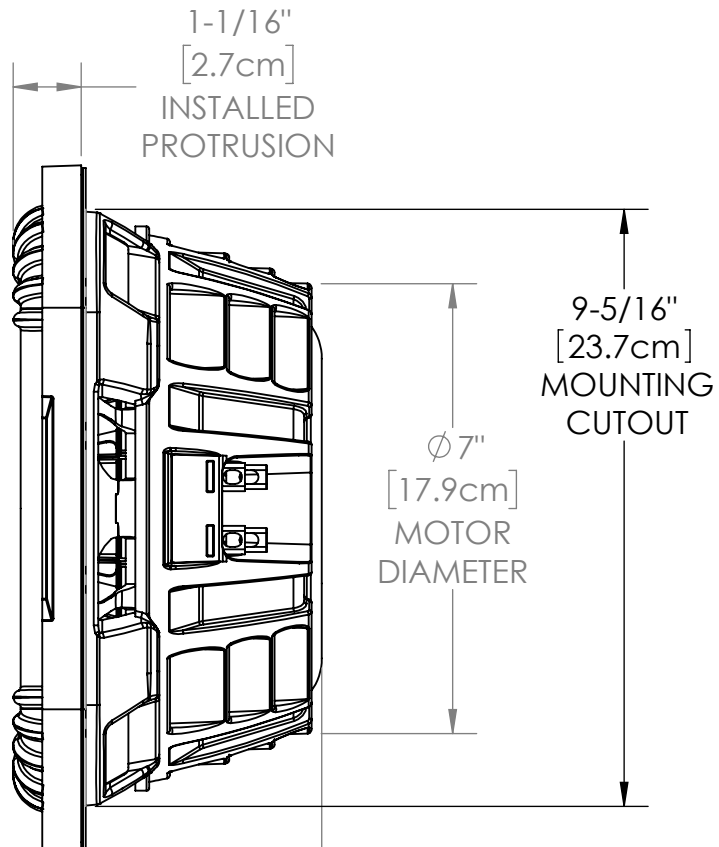


CARTON ART VIEWS/PUBLISHED DIMENSIONS SHEET

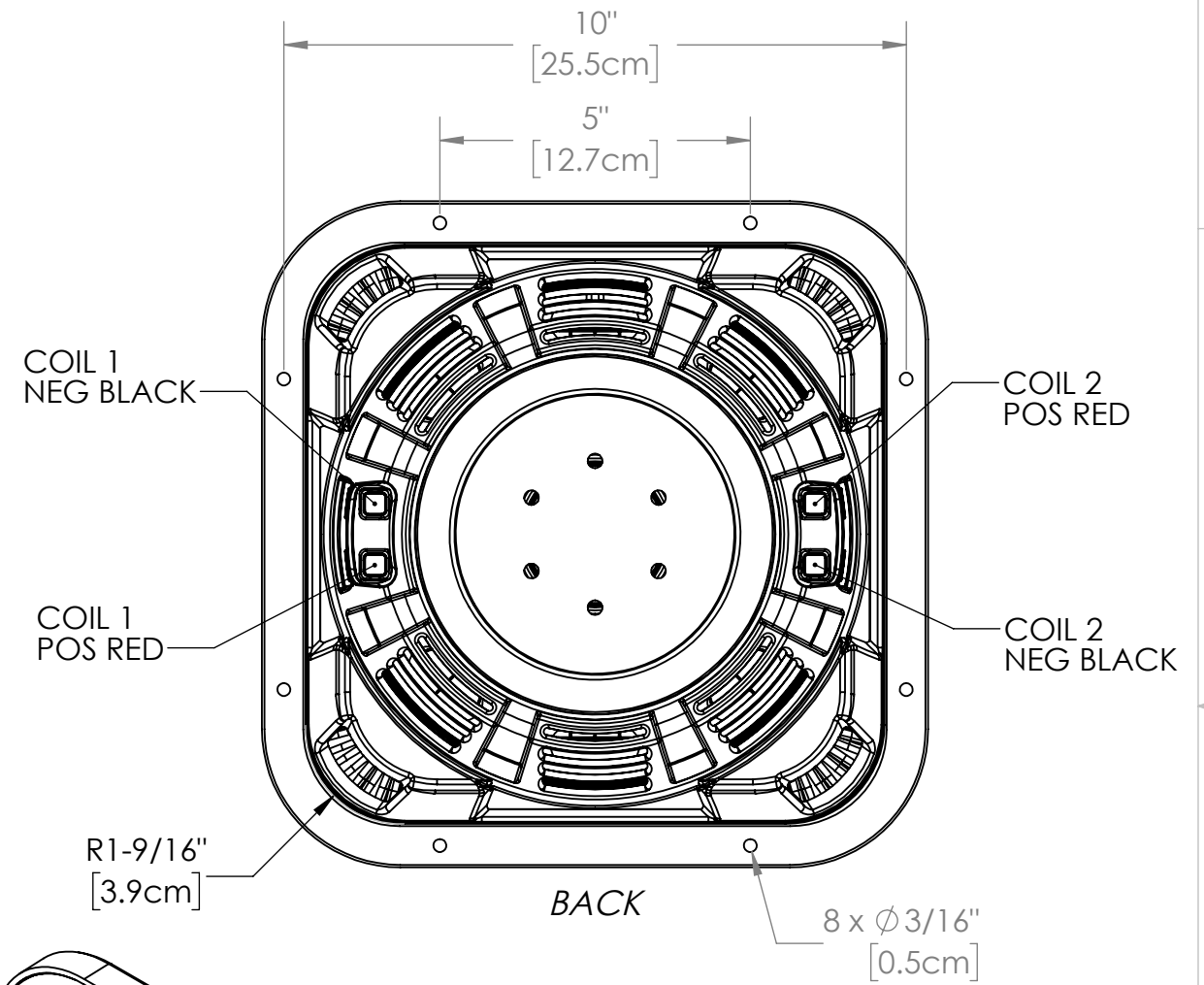
MOUNTING DEPTH DIMENSION ROUNDED UP TO NEAREST 1/16th"
measured inches convert to mm equivalent add 1.6mm=1/16th then software rounds to nearest 1/16th



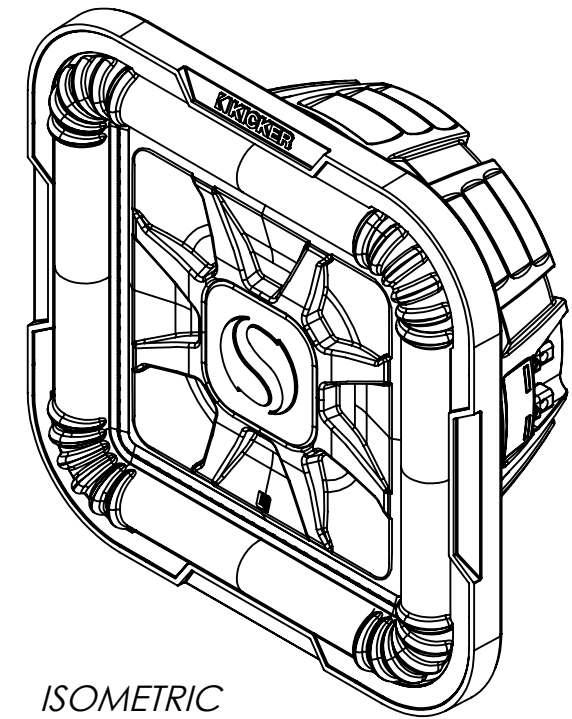
FRONT



MOUNTING DEPTH SIDE



BACK



ISOMETRIC

Item Number	Impedance
46L7T102	2OHM DVC
49L7T104	4OHM DVC

CUSTOMER SERVICE DIMENSIONS

KICKER
stillwaterdesigns

DESCRIPTION:
10" L7T Subwoofer

SIZE DWG. NO. REV SHEET
B 46L7T10-CSD B 1/1