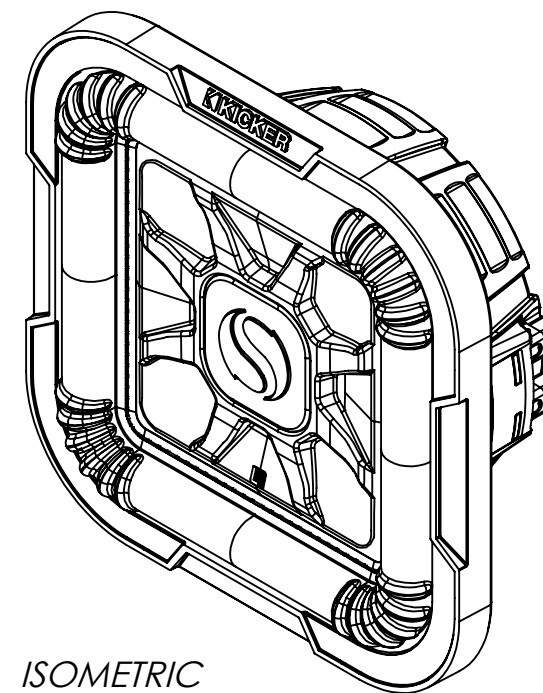
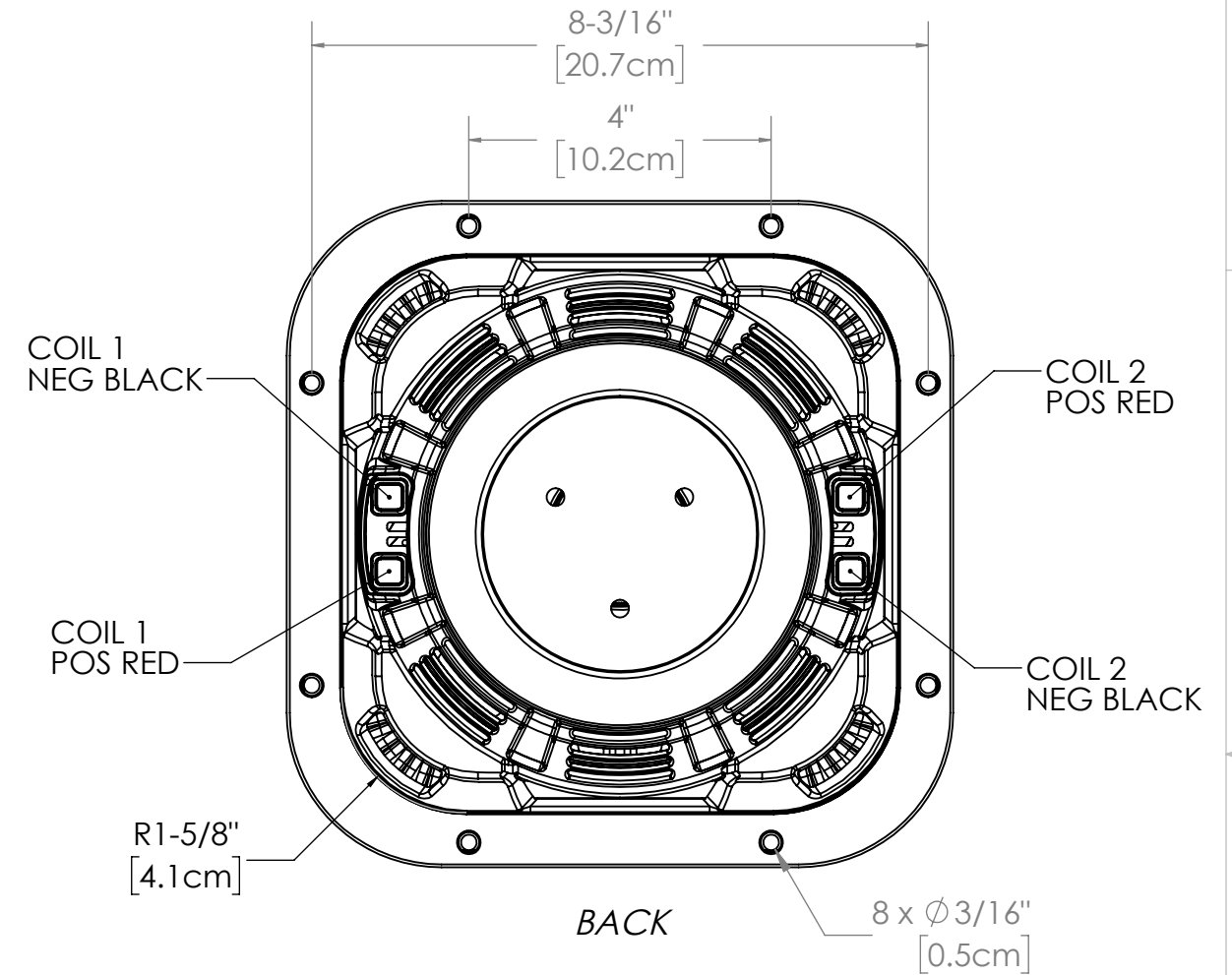
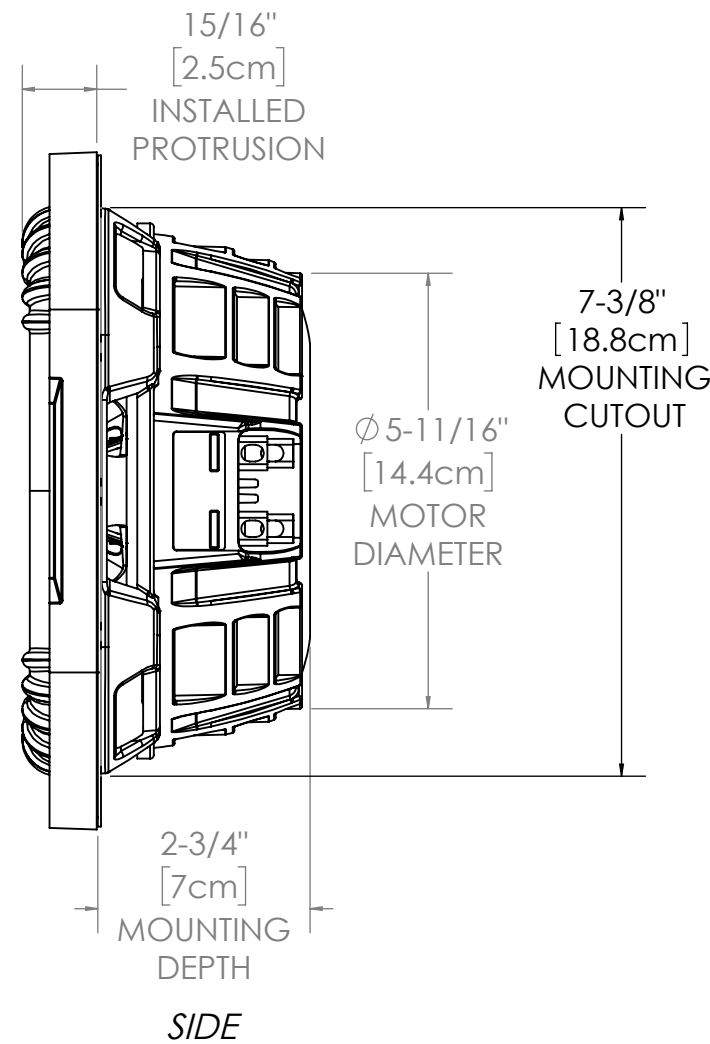
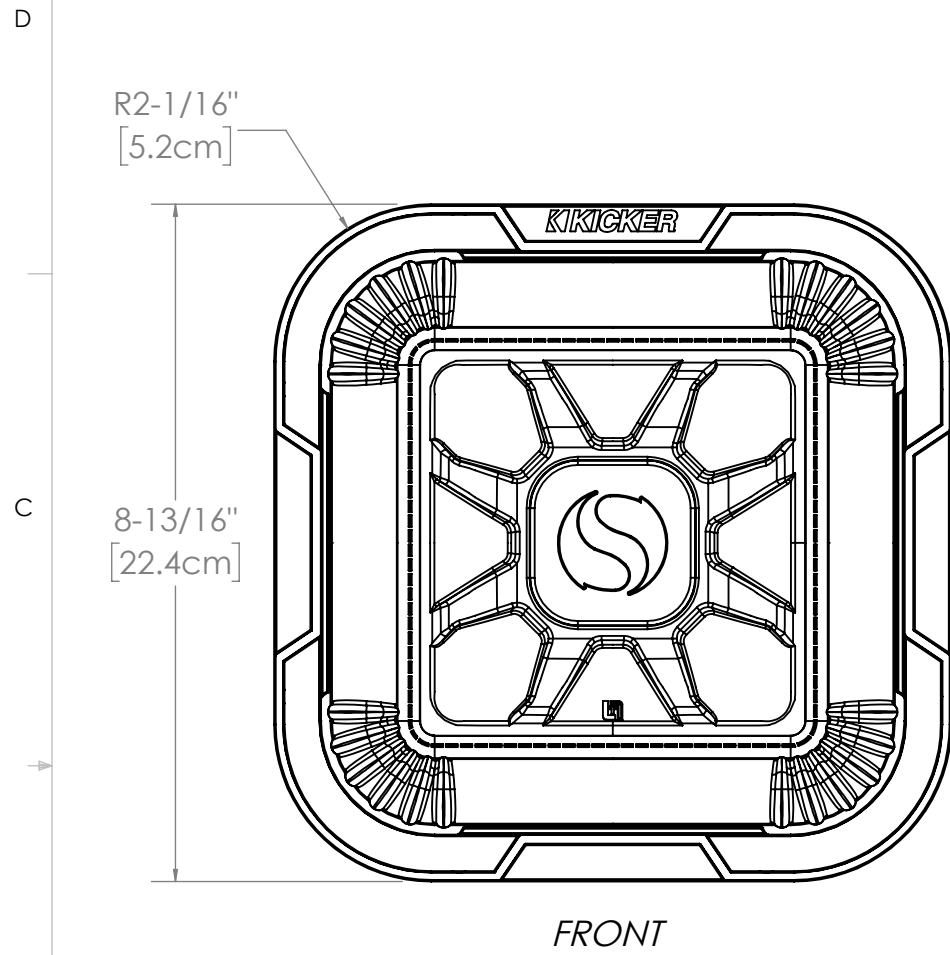


# CARTON ART VIEWS/PUBLISHED DIMENSIONS SHEET

*MOUNTING DEPTH DIMENSION ROUNDED UP TO NEAREST 1/16th"*  
*measured inches convert to mm equivalent add 1.6mm=1/16th then software rounds to nearest 1/16th*



Item Number	Impedance
46L7T82	2OHM DVC
49L7T84	4OHM DVC

CUSTOMER SERVICE DIMENSIONS



DESCRIPTION:  
8" L7T Subwoofer

SIZE	DWG. NO.	REV	SHEET
B	46L7T8-CSD	B	1/1