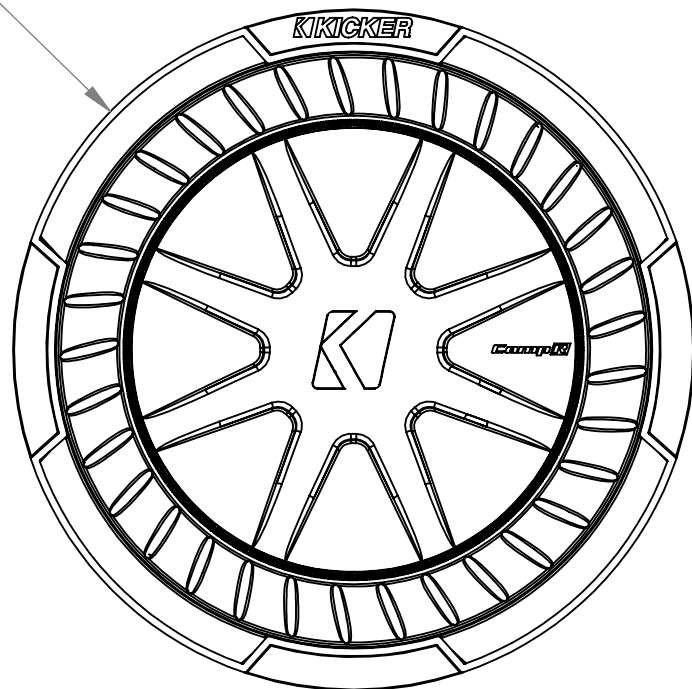


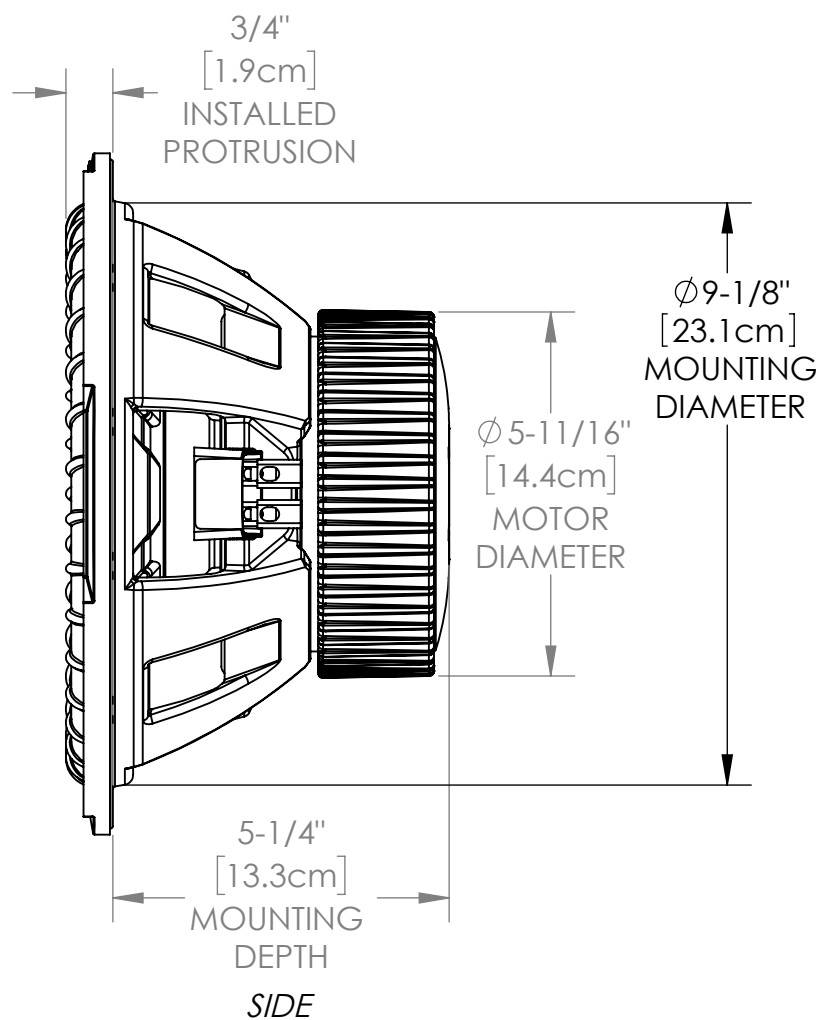
CARTON ART VIEWS/PUBLISHED DIMENSIONS SHEET

MOUNTING DEPTH DIMENSION ROUNDED UP TO NEAREST 1/16th"
measured inches convert to mm equivalent add 1.6mm=1/16th then software rounds to nearest 1/16th

Ø 10-5/8"
[27cm]



FRONT



5-1/4"
[13.3cm]
MOUNTING DEPTH
SIDE

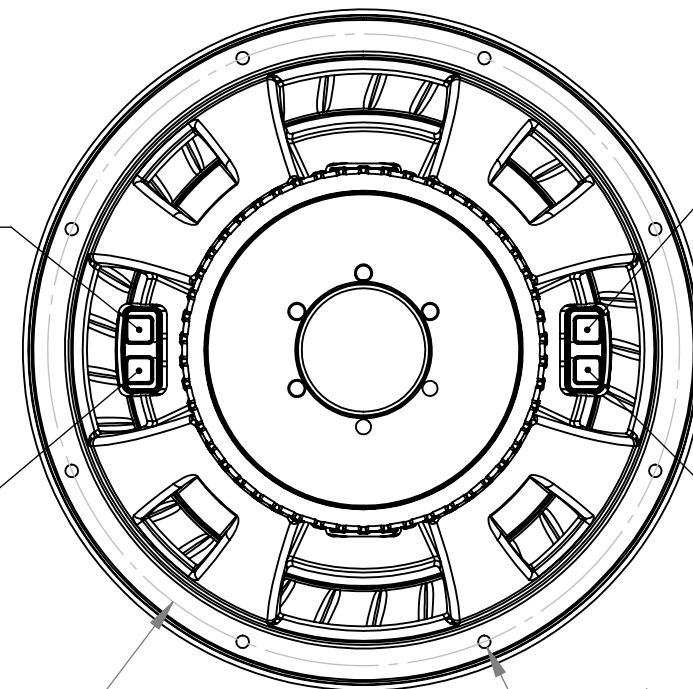
Ø 9-1/8"
[23.1cm]
MOUNTING DIAMETER

Ø 5-11/16"
[14.4cm]
MOTOR DIAMETER

COIL 1
NEG BLACK

COIL 1
POS RED

Ø 9-7/8"
[25.1cm]
HOLE PATTERN

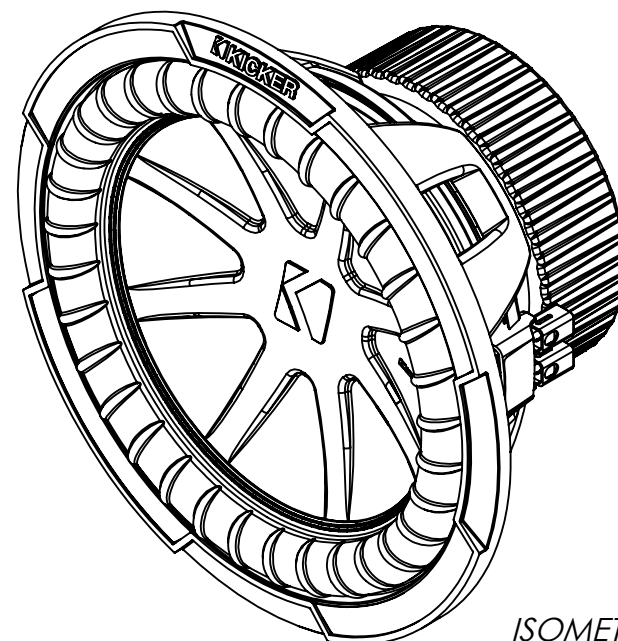


BACK

COIL 2
POS RED

COIL 2
NEG BLACK

8 x Ø 3/16"
[0.5cm]



ISOMETRIC

Item Number	Impedance
48CWR102	2OHM DVC
48CWR104	4OHM DVC

CUSTOMER SERVICE DIMENSIONS



DESCRIPTION:
10" CompR Subwoofer

SIZE	DWG. NO.	REV	SHEET
B	48CWR10-CSD	B	2/2