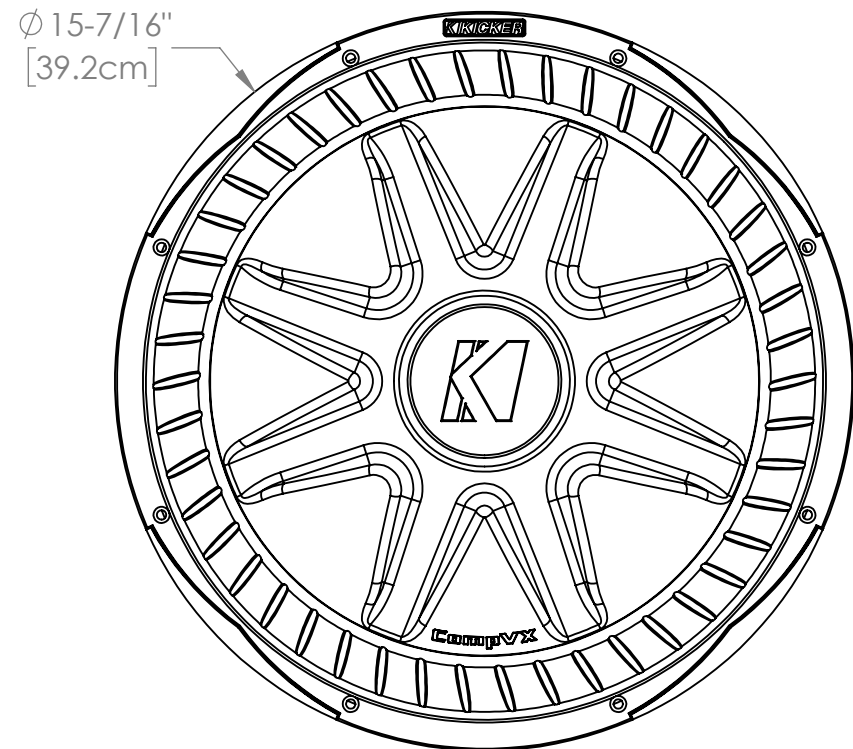
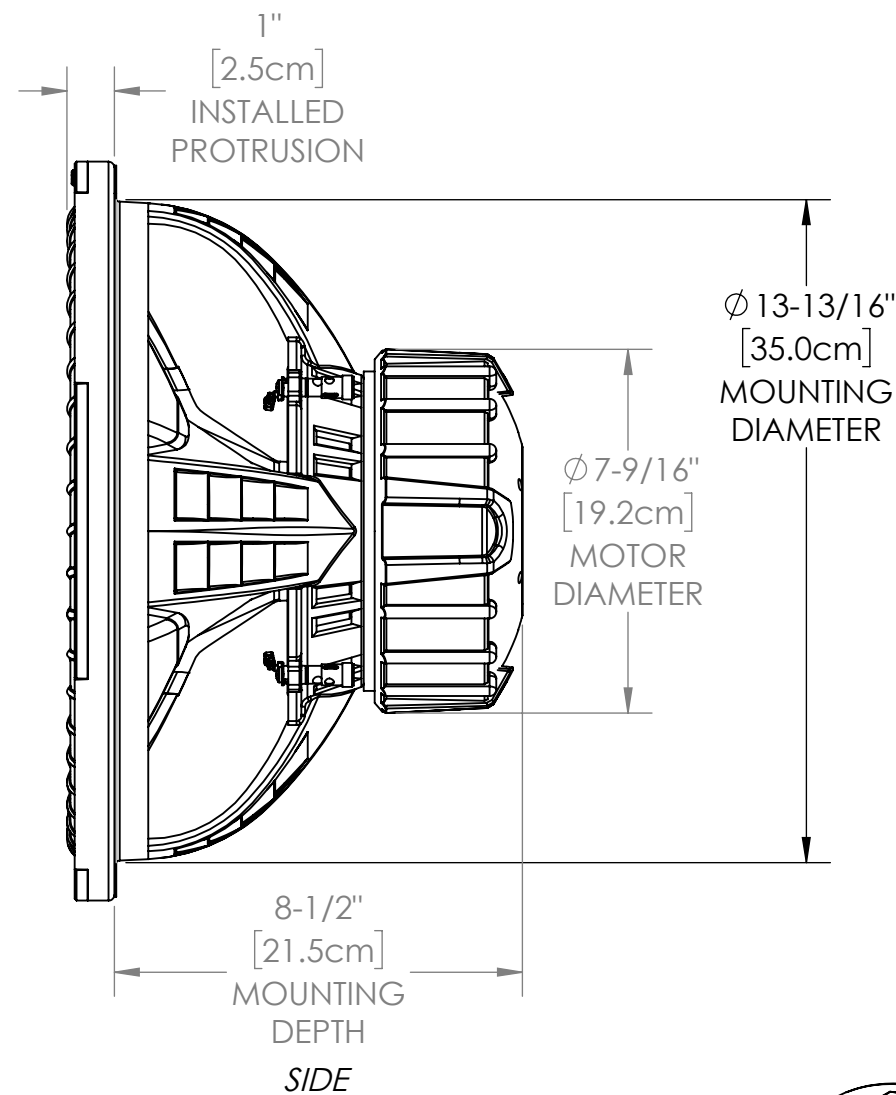


# CARTON ART VIEWS/PUBLISHED DIMENSIONS SHEET

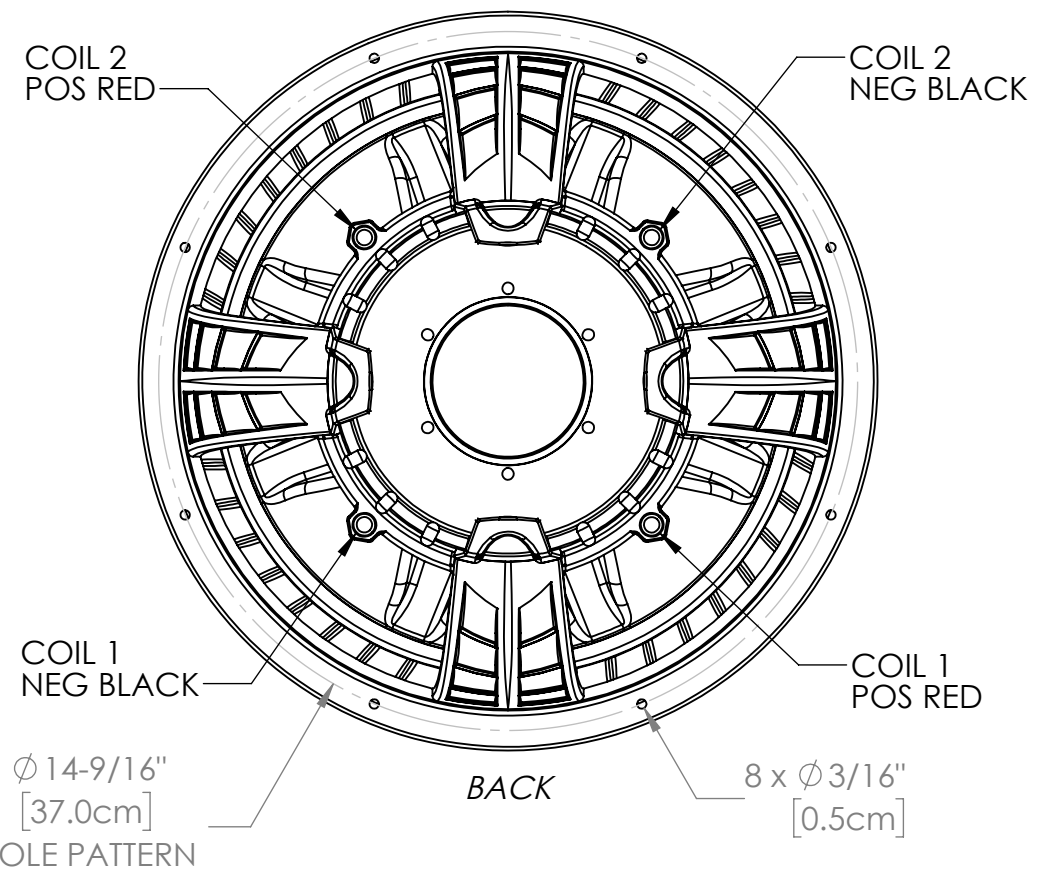
*MOUNTING DEPTH DIMENSION ROUNDED UP TO NEAREST 1/16th"*  
*measured inches convert to mm equivalent add 1.6mm=1/16th then software rounds to nearest 1/16th*



FRONT



8-1/2" [21.5cm]  
MOUNTING  
DEPTH  
SIDE



BACK



ISOMETRIC

Item Number	Impedance
50CVX152	2OHM DVC
50CVX154	4OHM DVC

## CUSTOMER SERVICE DIMENSIONS



DESCRIPTION:  
15" CompVX Subwoofer

SIZE	DWG. NO.	REV	SHEET
B	50CVX15-CSD	B	3/3