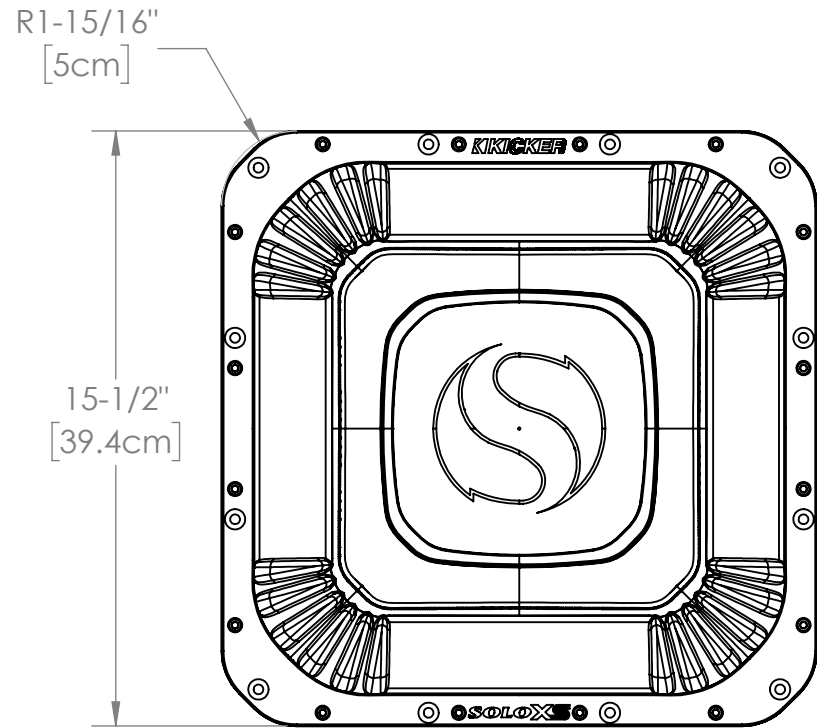
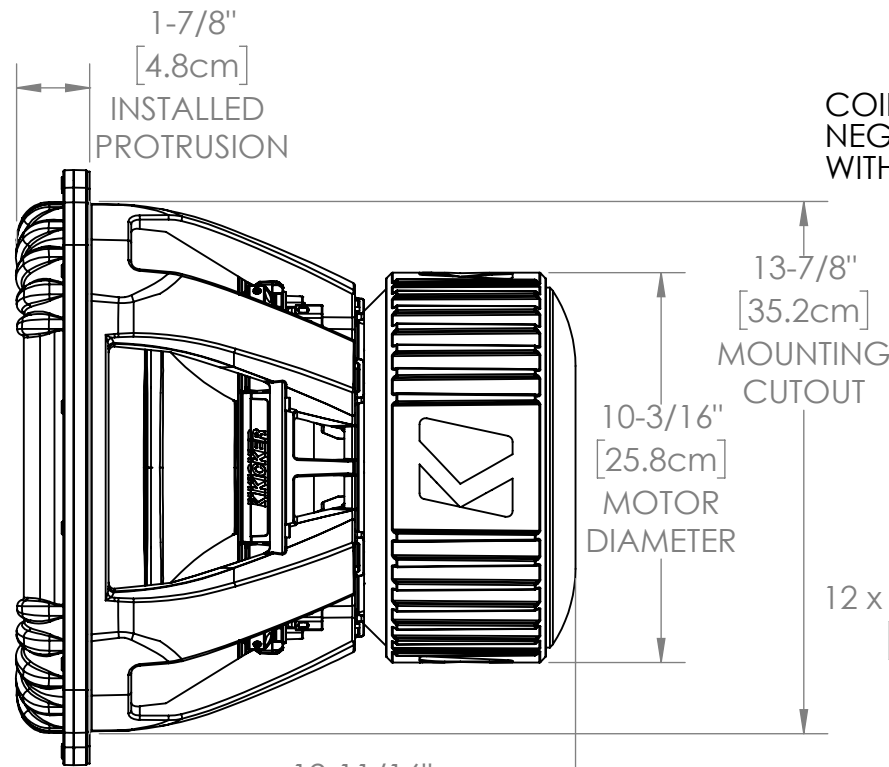


# CARTON ART VIEWS/PUBLISHED DIMENSIONS SHEET

*MOUNTING DEPTH DIMENSION ROUNDED UP TO NEAREST 1/16th"*  
*measured inches convert to mm equivalent add 1.6mm=1/16th then software rounds to nearest 1/16th*



FRONT



SIDE

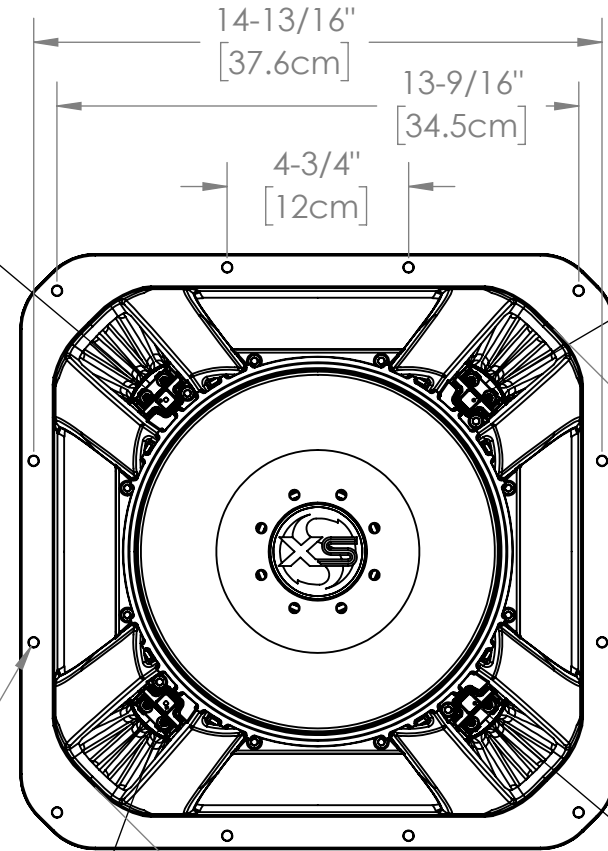
COIL 1  
NEG BLACK  
WITH DOTS

13-7/8"  
[35.2cm]  
MOUNTING  
CUTOUT

10-3/16"  
[25.8cm]  
MOTOR  
DIAMETER

12 x Ø1/4"  
[0.7cm]

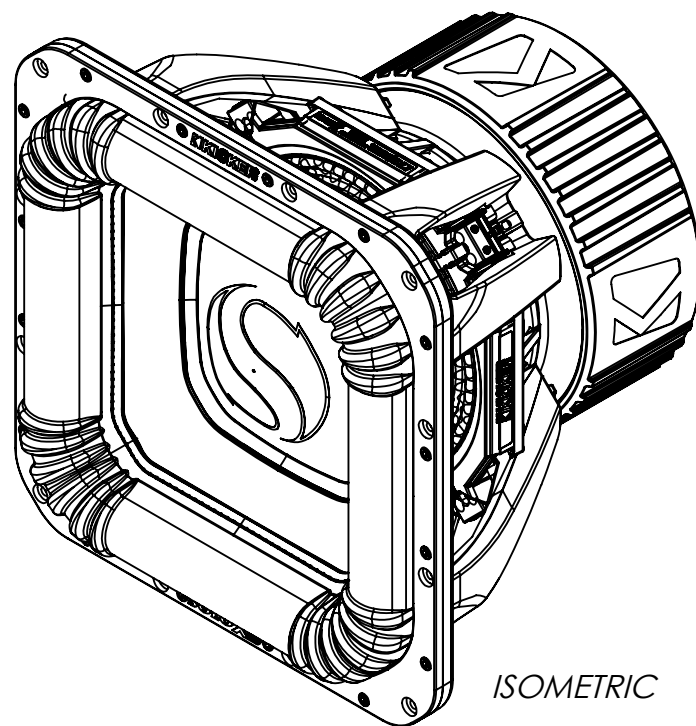
COIL 1  
POS RED  
WITH DOTS



BACK

COIL 2  
POS RED

COIL 2  
NEG BLACK



ISOMETRIC

Item Number	Impedance
52L7XS151	1OHM DVC
52L7XS152	2OHM DVC

CUSTOMER SERVICE DIMENSIONS



DESCRIPTION:  
15" L7XS subwoofer

SIZE	DWG. NO.	REV	SHEET
B	52L7XS15-CSD	0	1/1