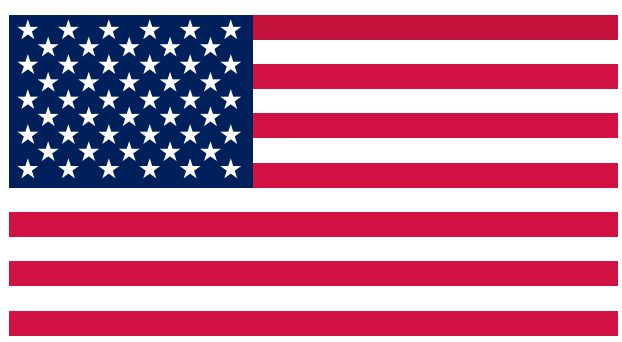


# **KICKER®**

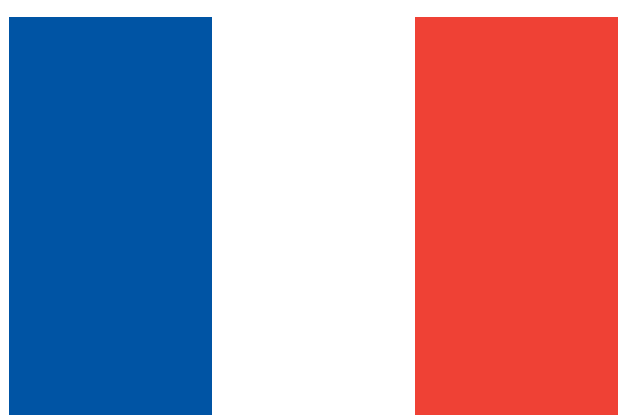
**Owner's Manual**  
**Manual del Propietario**  
**Manuel d'utilisatio**  
**Benutzerhandbuch**

## L7X-Series Subwoofers

*select language*



*seleccione  
el idioma*



*choisir la  
langue*



*sprache  
auswählen*

# Contents

---

Overview .....	3
Specifications .....	4
Installation .....	5
Wiring Configuration.....	5
Box Building Notes .....	7
Vented Enclosures.....	10
Re-Cone Kit .....	11
Warranty .....	23
International Warranty ....	88

# Overview

---

## **IMPORTANT SAFETY WARNING**

PROLONGED CONTINUOUS OPERATION OF AN AMPLIFIER, SPEAKER, OR SUBWOOFER IN A DISTORTED, CLIPPED OR OVER-POWERED MANNER CAN CAUSE YOUR AUDIO SYSTEM TO OVERHEAT, POSSIBLY CATCHING FIRE AND RESULTING IN SERIOUS DAMAGE TO YOUR COMPONENTS AND/OR VEHICLE. AMPLIFIERS REQUIRE UP TO 4 INCHES (10CM) OPEN VENTILATION. SUBWOOFERS SHOULD BE MOUNTED WITH AT LEAST 2 INCHES (5CM) CLEARANCE BETWEEN THE FRONT OF THE SPEAKER AND ANY SURFACE. KICKER PRODUCTS ARE CAPABLE OF PRODUCING SOUND LEVELS THAT CAN PERMANENTLY DAMAGE YOUR HEARING! TURNING UP A SYSTEM TO A LEVEL THAT HAS AUDIBLE DISTORTION IS MORE DAMAGING TO YOUR EARS THAN LISTENING TO AN UNDISTORTED SYSTEM AT THE SAME VOLUME LEVEL. THE THRESHOLD OF PAIN IS ALWAYS AN INDICATOR THAT THE SOUND LEVEL IS TOO LOUD AND MAY PERMANENTLY DAMAGE YOUR HEARING. PLEASE USE COMMON SENSE WHEN CONTROLLING VOLUME.

The L7X reimagines the massive power-handling and motor of KICKER's legendary line of L7 SoloX subwoofers with the most up-to-date engineering, materials, and design concepts. If you want the absolute best in SPL-performance and rock-bottom bass, then look no further than KICKER's award-winning pedigree with this celebrated line of subs. And remember that the driver is only half the equation. Without the immense power needed to push these subwoofers, you're short changing yourself. Use these subs with our high-powered Warhorse amplifiers to crush the competition and get all the low frequency output you're looking for!

# Specifications

	<b>L7X10</b>	<b>L7X12</b>	<b>L7X15</b>
Woofer [in, mm]	10, 25	12, 30	15, 38
Recommended Amplifier Power [Watts RMS]	1000-2000	1000-2000	1000-2000
Frequency Response [Hz]	25-100	20-100	20-100
Magnet Diameter [in, cm]	8 11/16, 22	8 11/16, 22	8 11/16, 22
Total Magnet Weight [oz, kg]	406, 11.5	406, 11.5	406, 11.5
Voice Coil Diameter [in, mm]	3, 75	3, 75	3, 75
Voice Coil Winding Width [in, mm]	2.5, 62.5	2.5, 62.5	2.5, 62.5
Top Plate Thickness [in, mm]	.5, 12	.5, 12	.5, 12
Rated Impedance [ $\Omega$ ]	1 or 2	1 or 2	1 or 2
Xmax (Linear Excursion) [mm]	1.25, 31.25	1.25, 31.25	1.25, 31.25
Mounting Cutout [in, cm]	9-5/16, 23.7	11-1/16, 28.1	13-3/4, 34.9
Mounting Depth [in, cm]	9-7/16, 24	10-1/8, 25.7	11-9/16, 29.3

**Note:** All specifications and performance figures are subject to change. Please visit **[www.kicker.com](http://www.kicker.com)** for the most current information. To get the best performance from your new KICKER speakers, we recommend using genuine KICKER accessories and wiring. Please allow two weeks of break-in time for the speakers to reach optimum performance.

**Pro Tip:** You're a KICKER amplifier and a few cables away from a full system upgrade that will dominate any factory system! KICKER line of amplifiers make it easy to upgrade to solid bass with your existing or stock source unit. Also, ask your dealer about KICKER Speaker upgrades.

# Installation

---

## Wiring Configuration

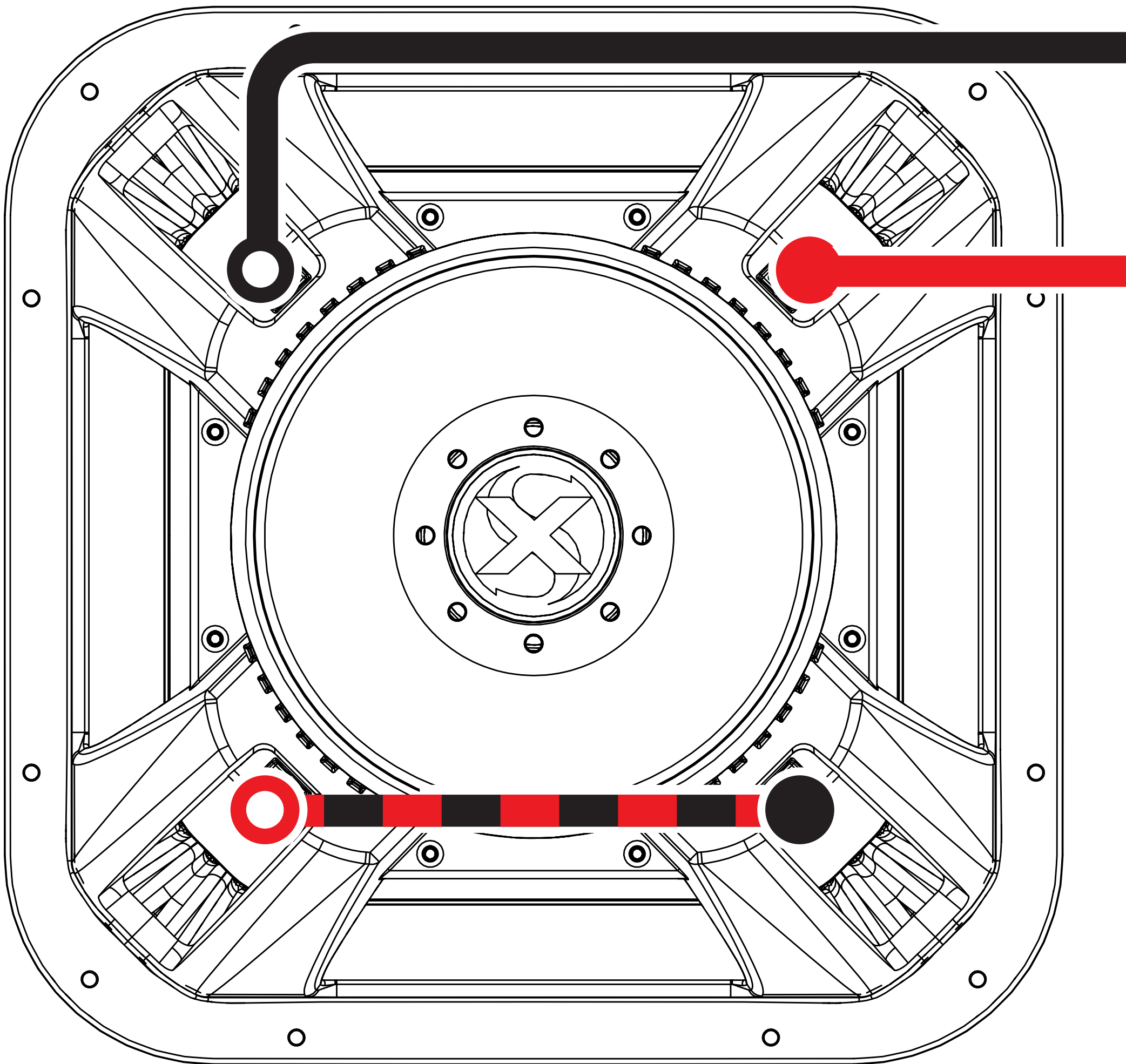
L7X-Series subwoofers are made with dual  $1\Omega$  or  $2\Omega$  voice coils. Both coils must be connected to a source of amplification. The Dual  $1\Omega$  will provide a  $0.5\Omega$  load wired in parallel or  $2\Omega$  load wired in series. The Dual  $2\Omega$  will provide a  $1\Omega$  load wired in parallel or  $4\Omega$  load wired in series. **Make sure your source unit or amplifier is rated at the correct ohm load for operation.**

The subwoofer wire should be kept away from sharp edges and avoid the possibility of getting pinched by the trunk. If a factory hole and grommet do not exist or are inaccessible, you must drill a hole through which to run the wire. Be careful not to drill into other wiring or existing mechanisms. Any time a wire is run through a hole, it is necessary to insert a rubber or plastic grommet to protect the wire from damage.

## Series Wiring

Dual  $1\Omega$  Voice Coils =  $2\Omega$  Load

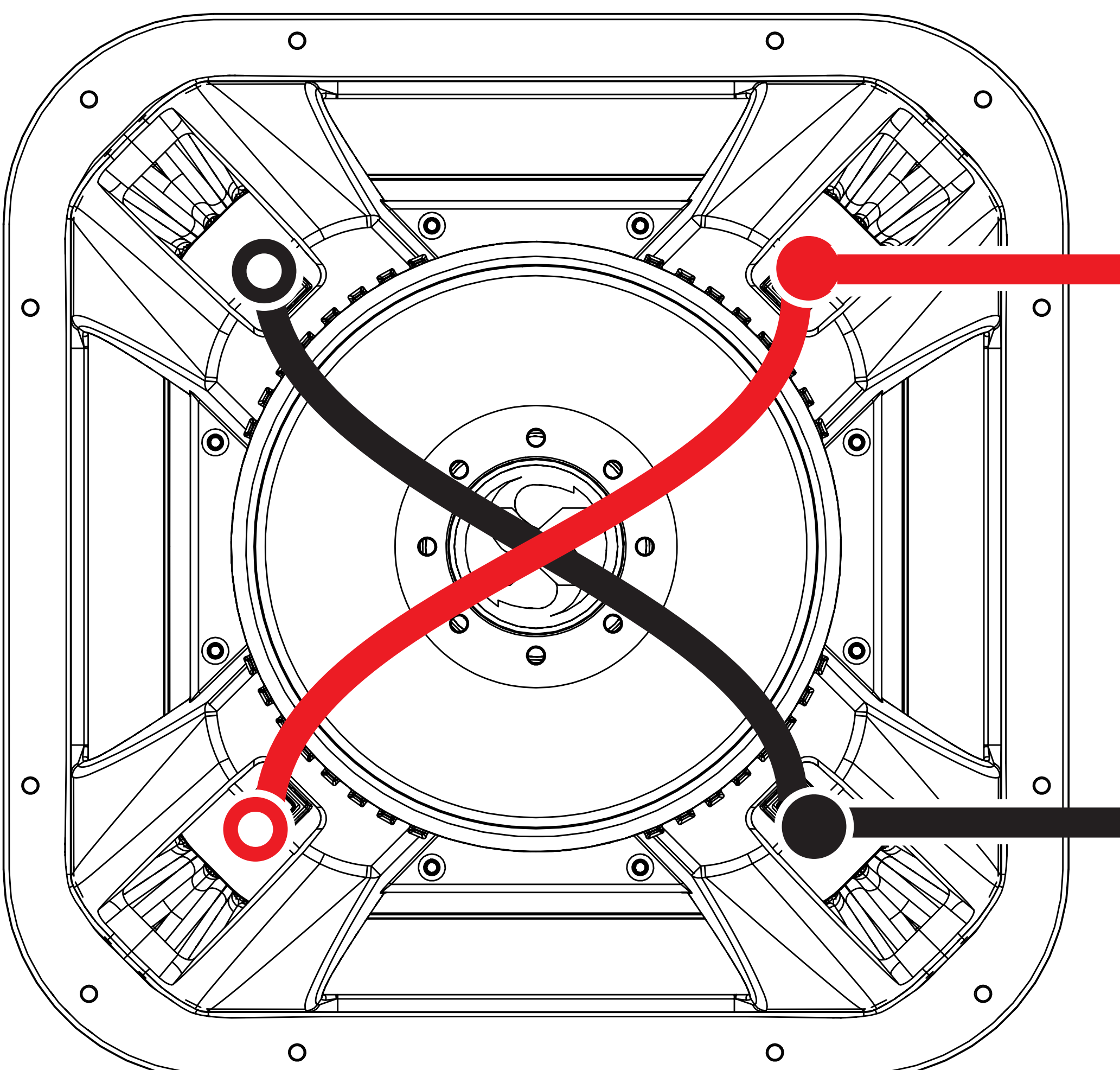
Dual  $2\Omega$  Voice Coils =  $4\Omega$  Load



## Parallel Wiring

Dual  $1\Omega$  Voice Coils =  $0.5\Omega$  Load

Dual  $2\Omega$  Voice Coils =  $1\Omega$  Load



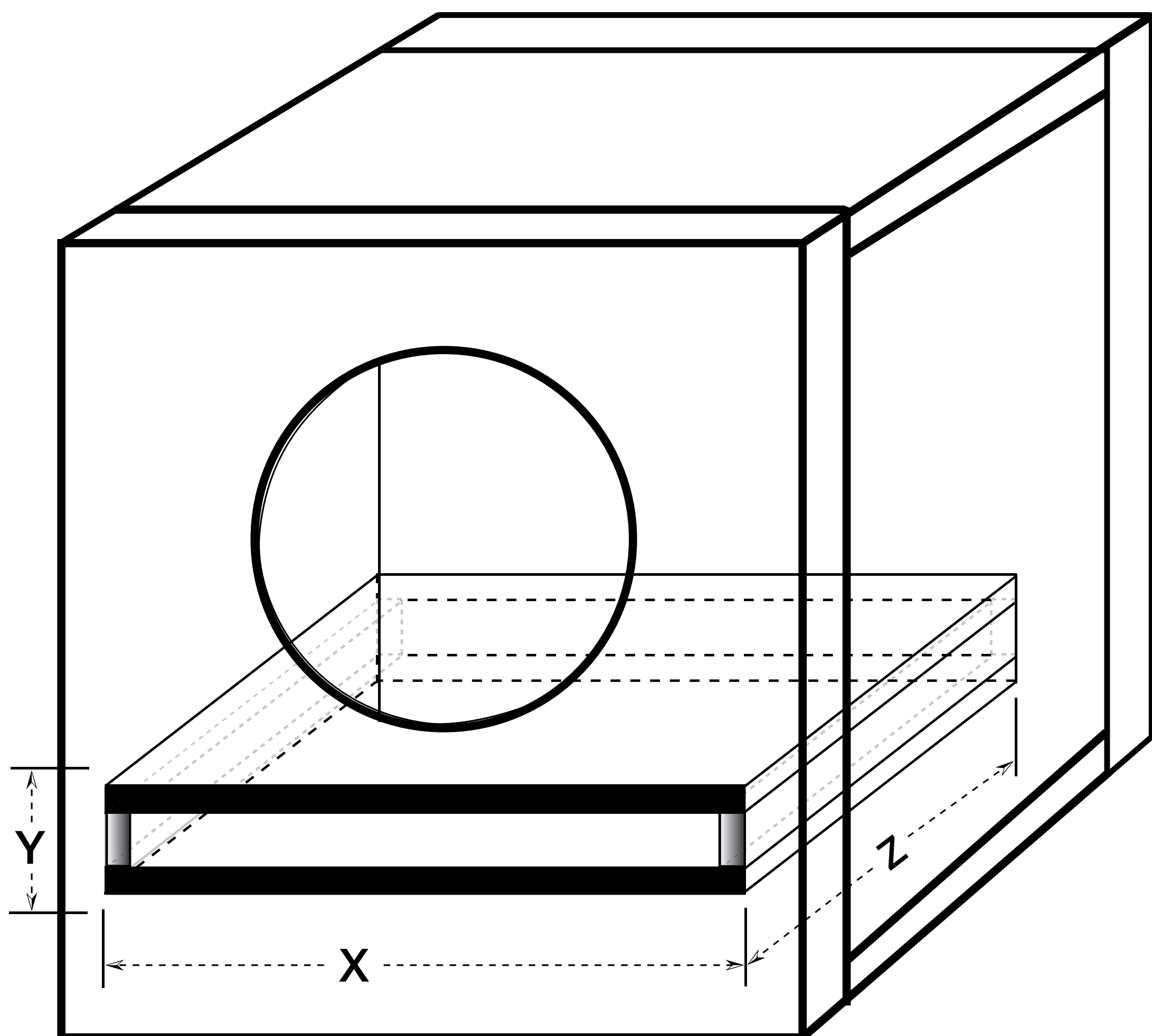
# Box Building Notes

KICKER recommends using M5 or #10 mounting screws with t-nuts. Use 3/4" (1.9cm) or thicker MDF (medium density fiberboard) or birch plywood and seal the joints with silicone. Use the "template" inside your L7X subwoofer's shipping carton to mark the mounting hole, then cut directly on the line. These designs need internal bracing. Add triangular bracing between each of the larger unsupported panels.

For vented enclosures the displacement of the port must be calculated and added to the internal volume of the final design. Use the outer dimensions of the port and multiply "X x Y x Z", convert to cubic feet.

Due to the necessary length of these ports, you may want to fold the port along the bottom and back walls. It will be impractical to use round ports for these designs.

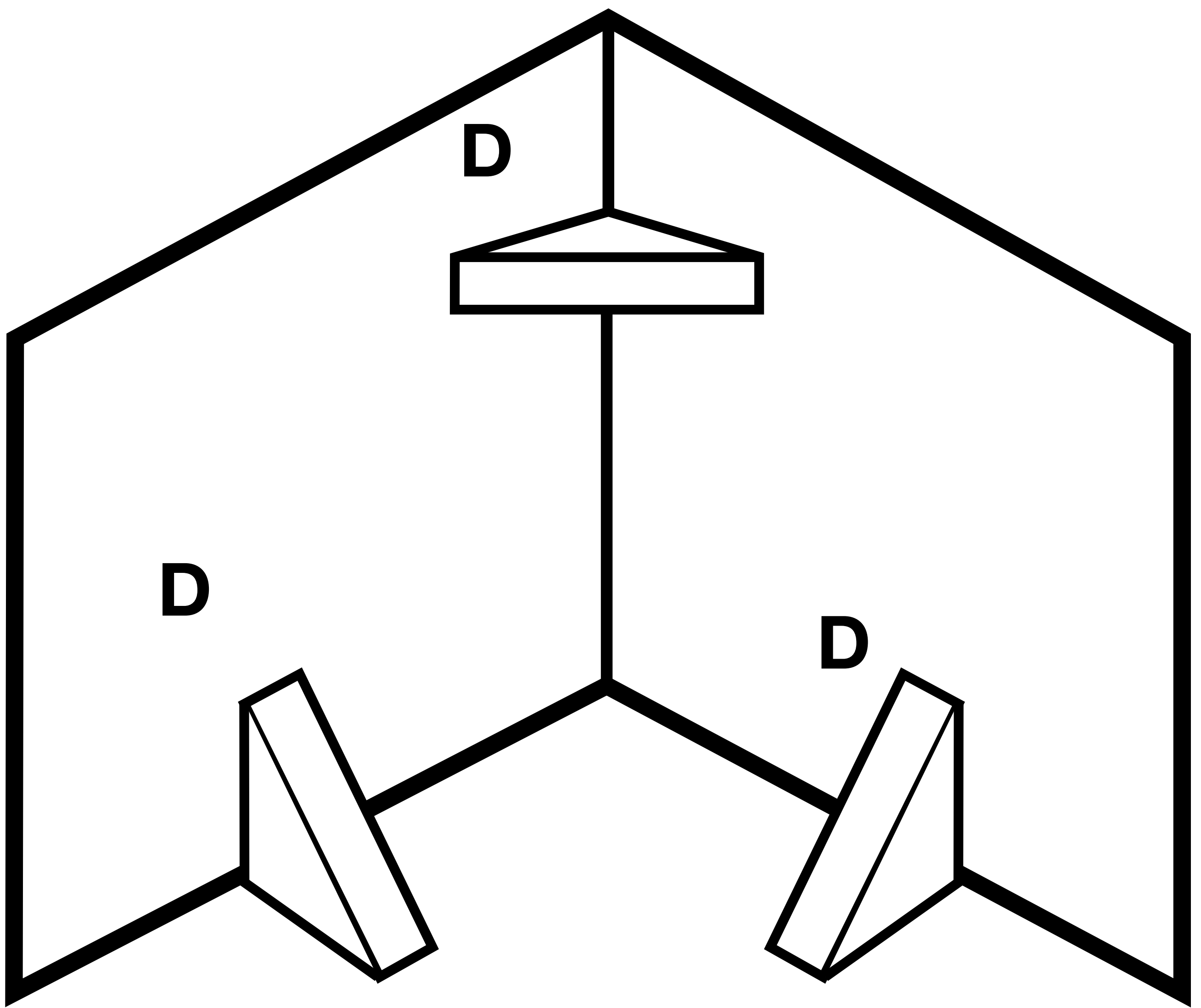
Do not install a port opening against a solid surface, such as an internal brace, back-panel or trunk wall, seat or interior panel of your vehicle. The port opening must remain unobstructed. Use the smallest dimension of the rectangular port as the minimum amount of space between the port opening and any solid surface to ensure unrestricted airflow.



You can loosely fill your enclosure with poly-fil stuffing. Ported designs will require covering the end of the port (located inside the box) with grill cloth, chicken wire, or expanded metal to prevent the poly-fil from exiting the port. The use of poly-fil will slightly decrease efficiency, but will deepen and extend the low frequency output by making your subwoofer think it's in a bigger box.



Add triangular bracing between each of the larger unsupported panels. The mounting baffle should be double the 3/4" wall.



**L7X12, L7X15: D = 3" x 3" (8cm x 8cm)**

**L7X10: D = 2" x 2" (5cm x 5cm)**

For more advice on box building, refer to your Authorized Kicker Dealer, or click on the Support tab on the Kicker homepage, **[www.kicker.com](http://www.kicker.com)**. Please e-mail [support@kicker.com](mailto:support@kicker.com) or call Technical Support at (405) 624-8583 for specific or unanswered questions.

# Vented Enclosures

L7X subwoofers will handle massive amounts of power. Vented enclosures increase bass efficiency and have significantly more output from 30 to 80 Hz. Output will be considerably higher than that of any sealed box. Do not forget to add the displacement of the subwoofer to the internal volume of the final design.

	<b>L7X10</b>	<b>L7X12</b>	<b>L7X15</b>
Recommended Vented Box Volume ft <sup>3</sup> [L]	2, [56.6]	3, [84.9]	5, [141.6]
Port Opening, in. x in. [cm x cm]	2.5 X 12.25 [6 X 31]	3.5 X 13 [9 X 33]	4.25 X 16.5 [11 X 42]
Port Length, in. [cm]	38.5, [98]	36.5, [93]	34.75, [88]
Tuning Frequency (Hz)	31	31	30
Woofer Displacement ft <sup>3</sup> [L]	0.18 [5.09]	0.19 [5.38]	0.21 [5.94]

# Re-Cone Kit

The L7X has been designed for competitive use and, because there is no glue utilized in the re-cone process, the cone can be replaced in minutes if failure occurs in the field.

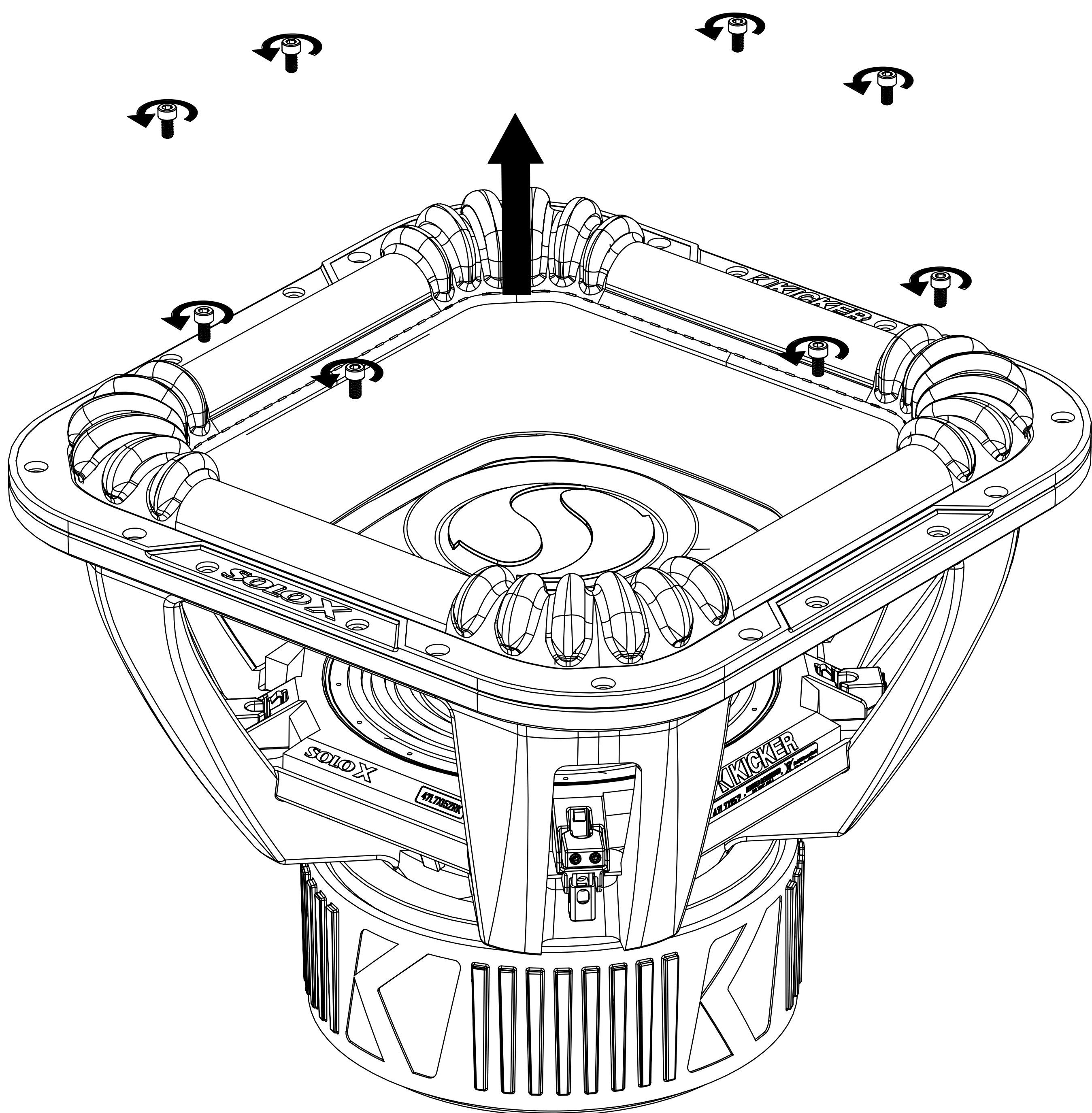
The Re-Cone Assembly consists of a pre-assembled cone, surround, and voice coil that will be bolted into the L7X motor and Basket Assembly, and can be purchased on the KICKER website [here](#). Do **NOT** attempt to use alternate impedance Recone Kits when rebuilding the subwoofer. For example, only use the 1-ohm Recone Kit in the 1-ohm L7X subwoofer structure.

Use the following steps to rebuild the L7X.

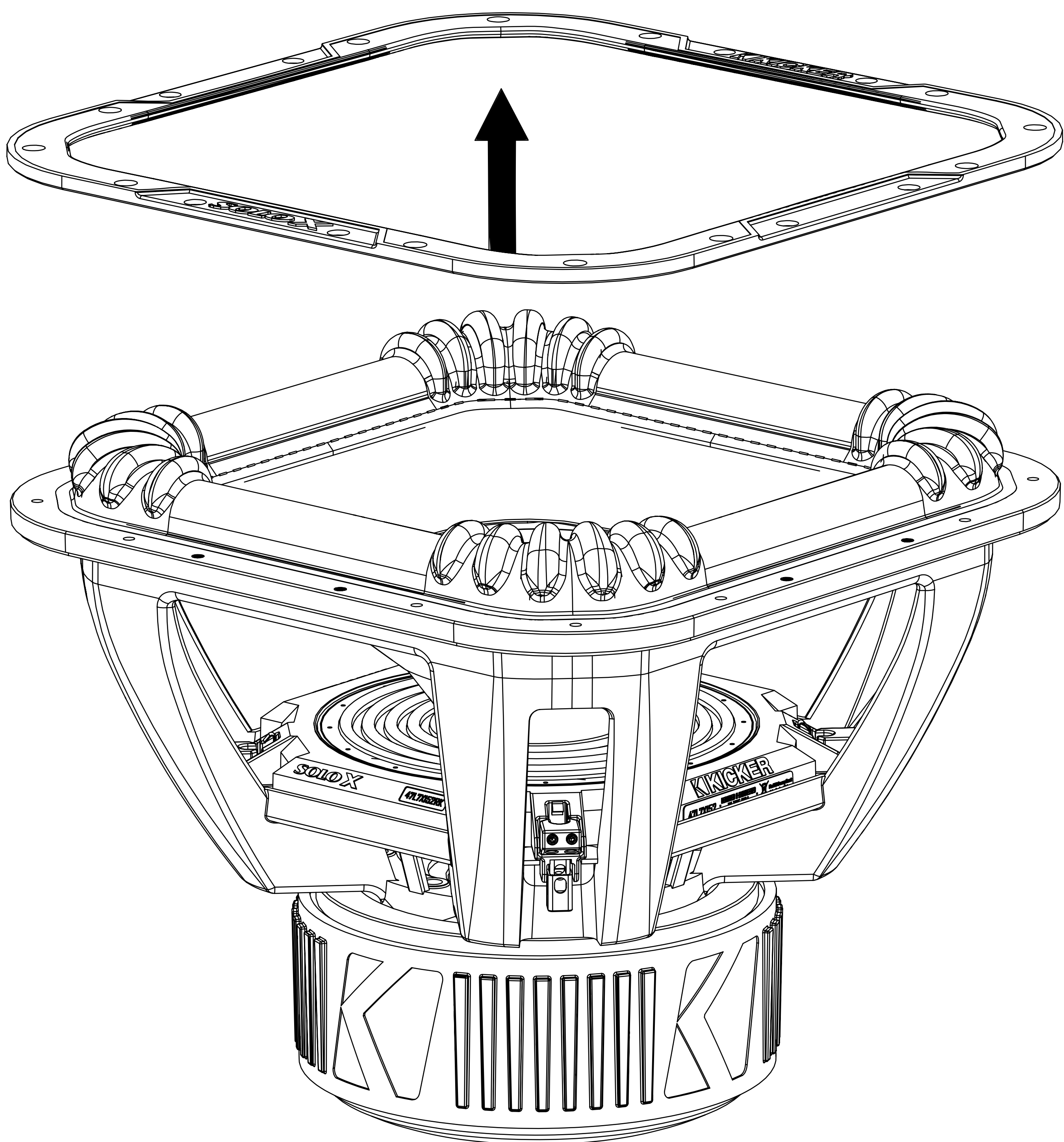
*Do not use power tools for this rebuild! The L7X magnet is extremely powerful and may cause personal injury or damage to items. Use caution around objects that contain magnetic material.*

Begin by removing the subwoofer from its mounting location and disconnecting all wiring.

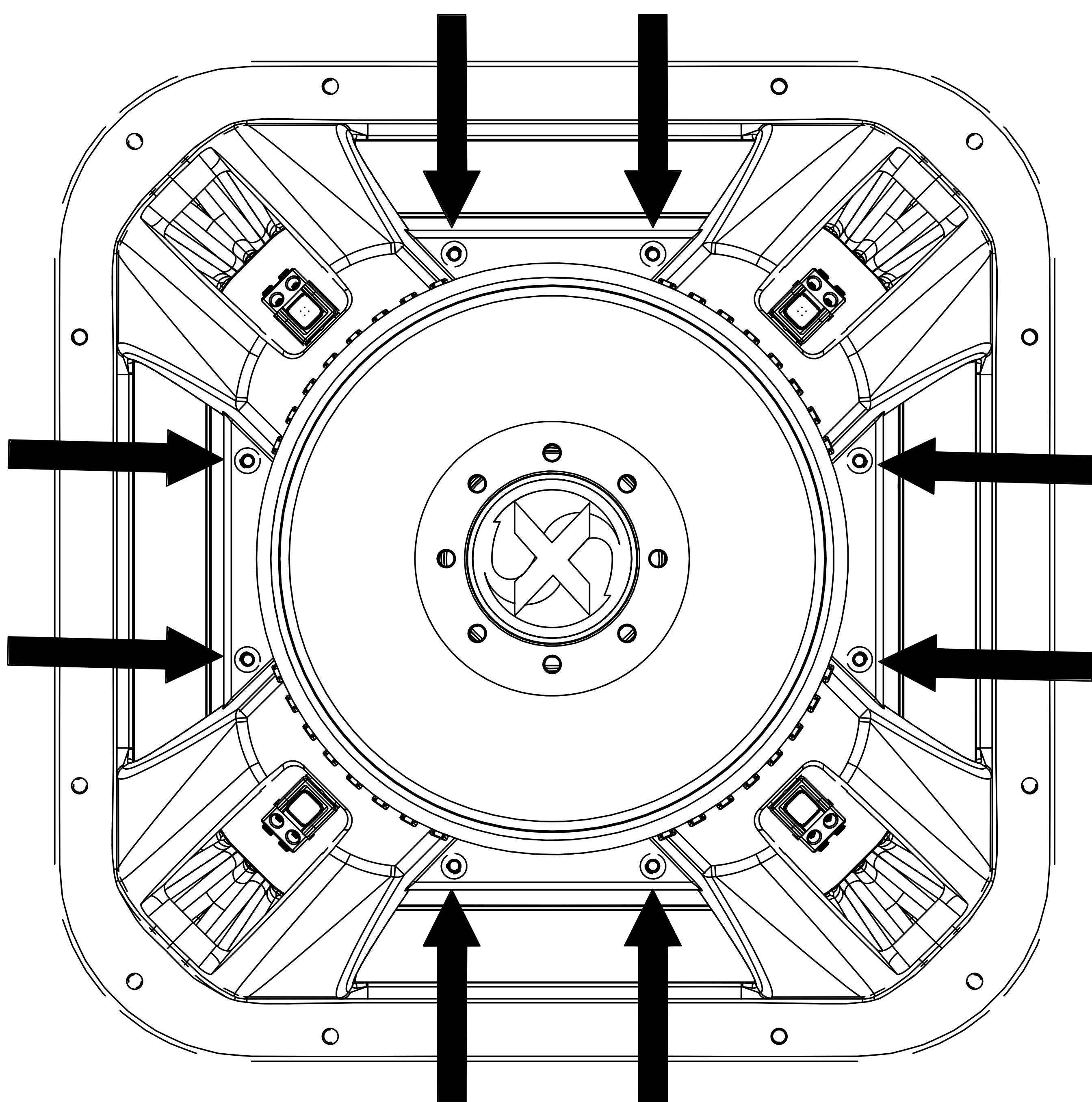
Using a 4mm Allen Wrench, remove the eight M5x0.8x10mm bolts securing the Surround Mounting Flange to the Basket Assembly.



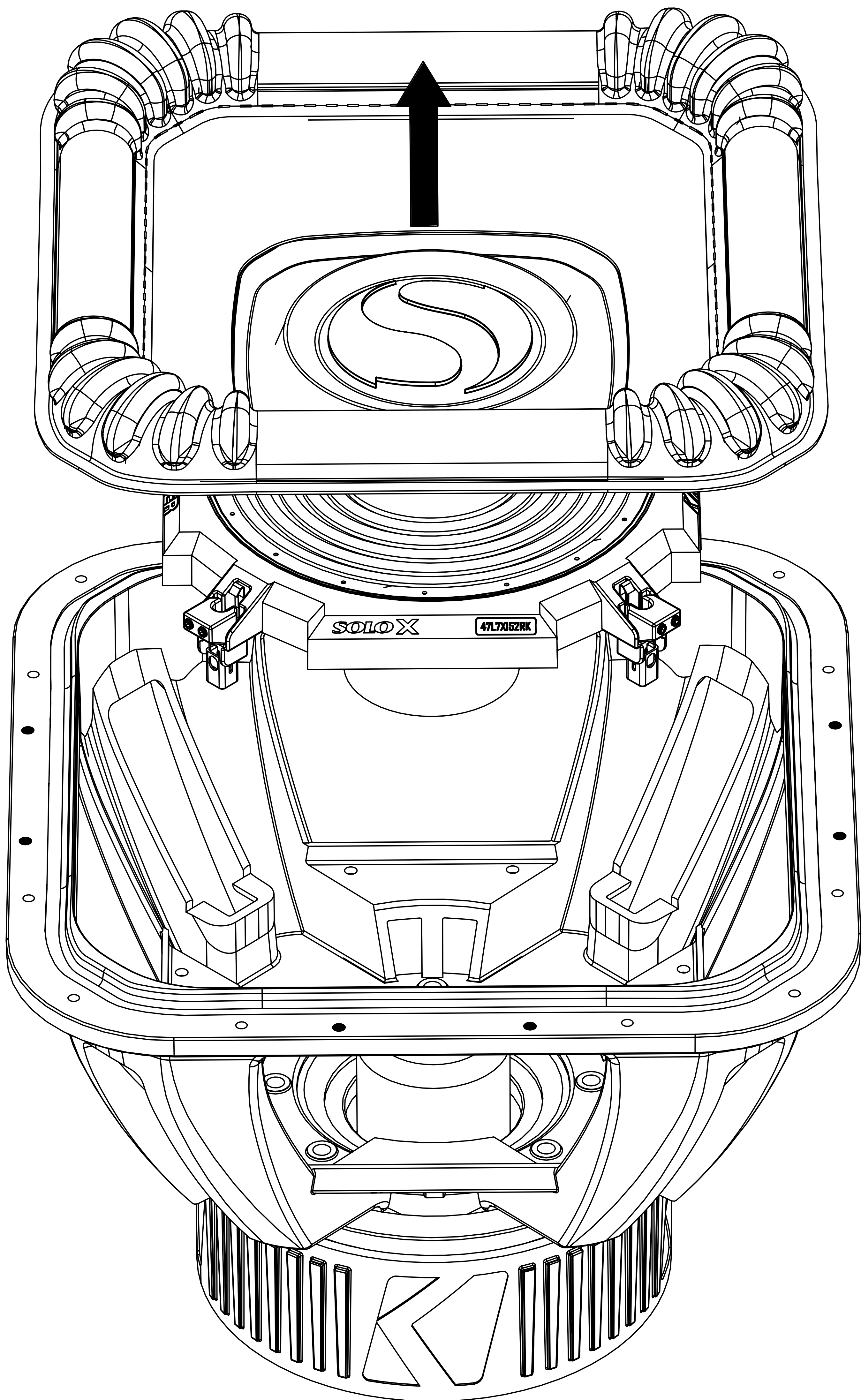
Remove the Surround Mounting Flange from the Basket Assembly.



From the magnet side (bottom) of the Basket Assembly, use a 4mm Allen Wrench to remove the eight M5x0.8x16mm bolts securing the Spider to the Basket Assembly.

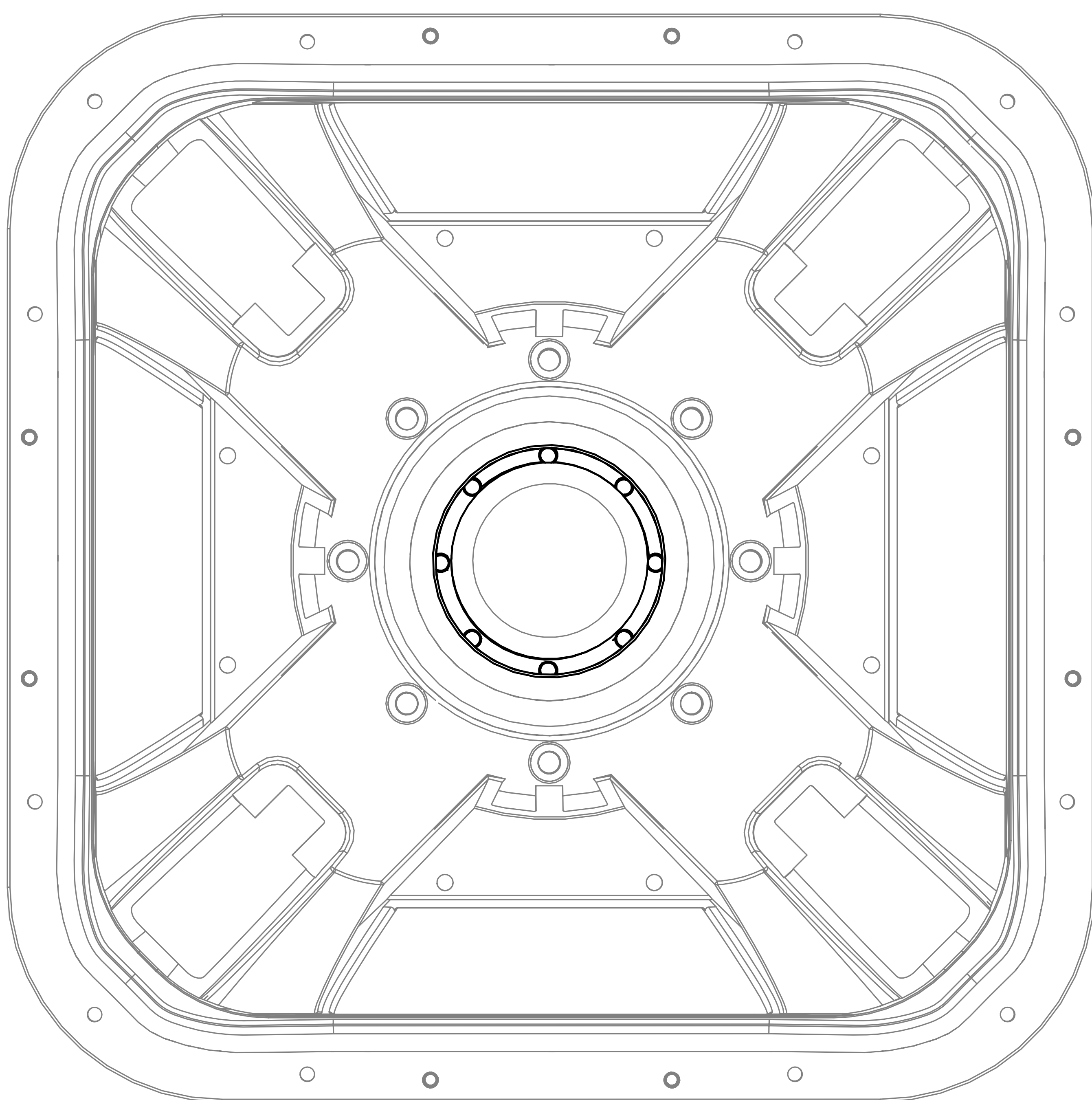


From the cone side (top) of the Basket Assembly, pull the Cone Assembly out of the Basket Assembly.



Clean and remove all debris from the Voice Coil Gap.

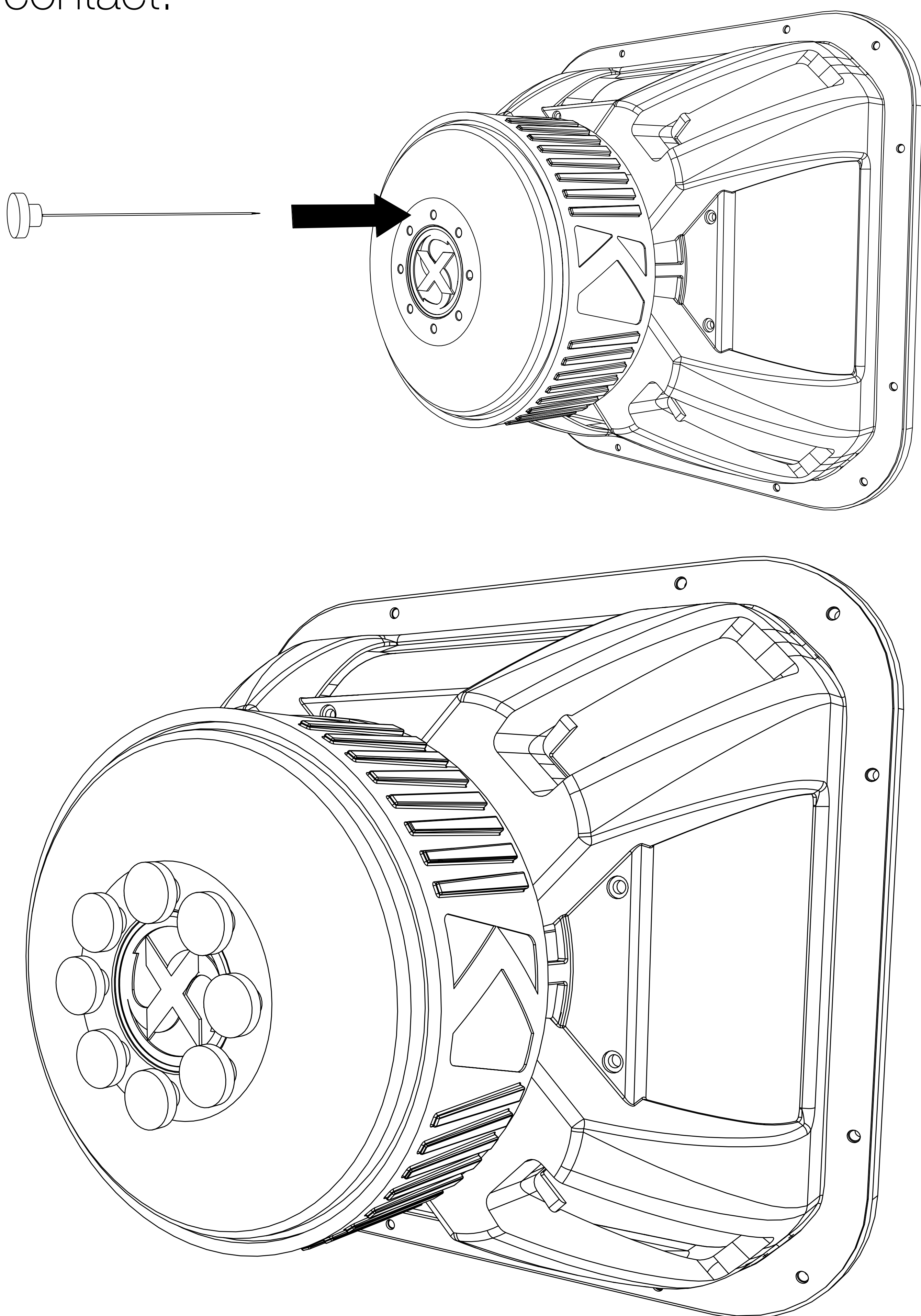
*NOTE: The L7X magnet is extremely powerful. Do not allow objects containing magnetic materials to fall into voice coil gap. These objects may become stuck, rendering the subwoofer useless.*





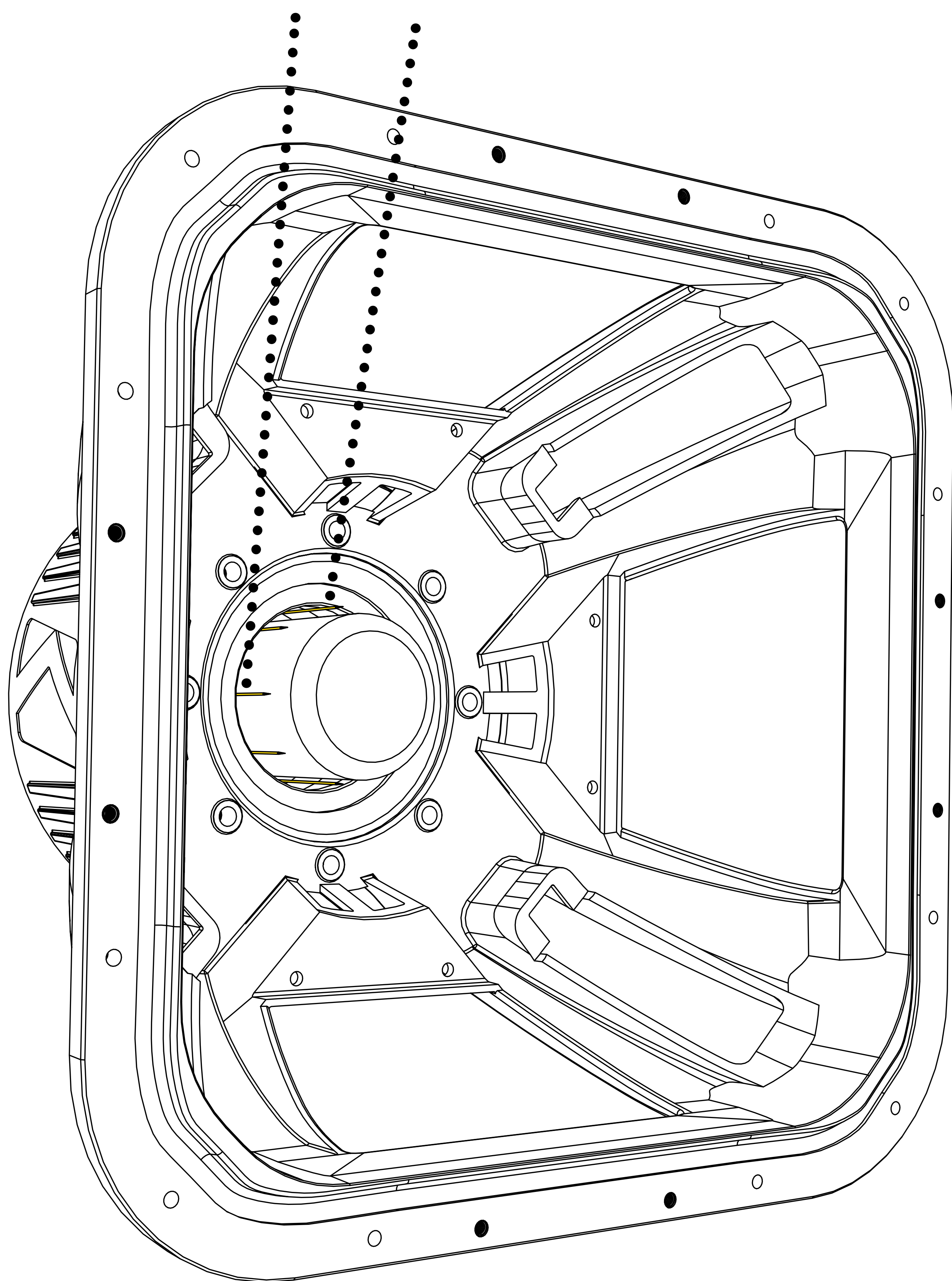
*WARNING! The Voice Coil Alignment Pins are very sharp and may cause serious injury or death if handled improperly. Use caution while handling.*

With the Basket Assembly laying on its side, insert a Voice Coil Alignment Pin into each of the eight holes of the subwoofer motor. The pin's head must contact the motor. Finesse may be required to achieve contact.

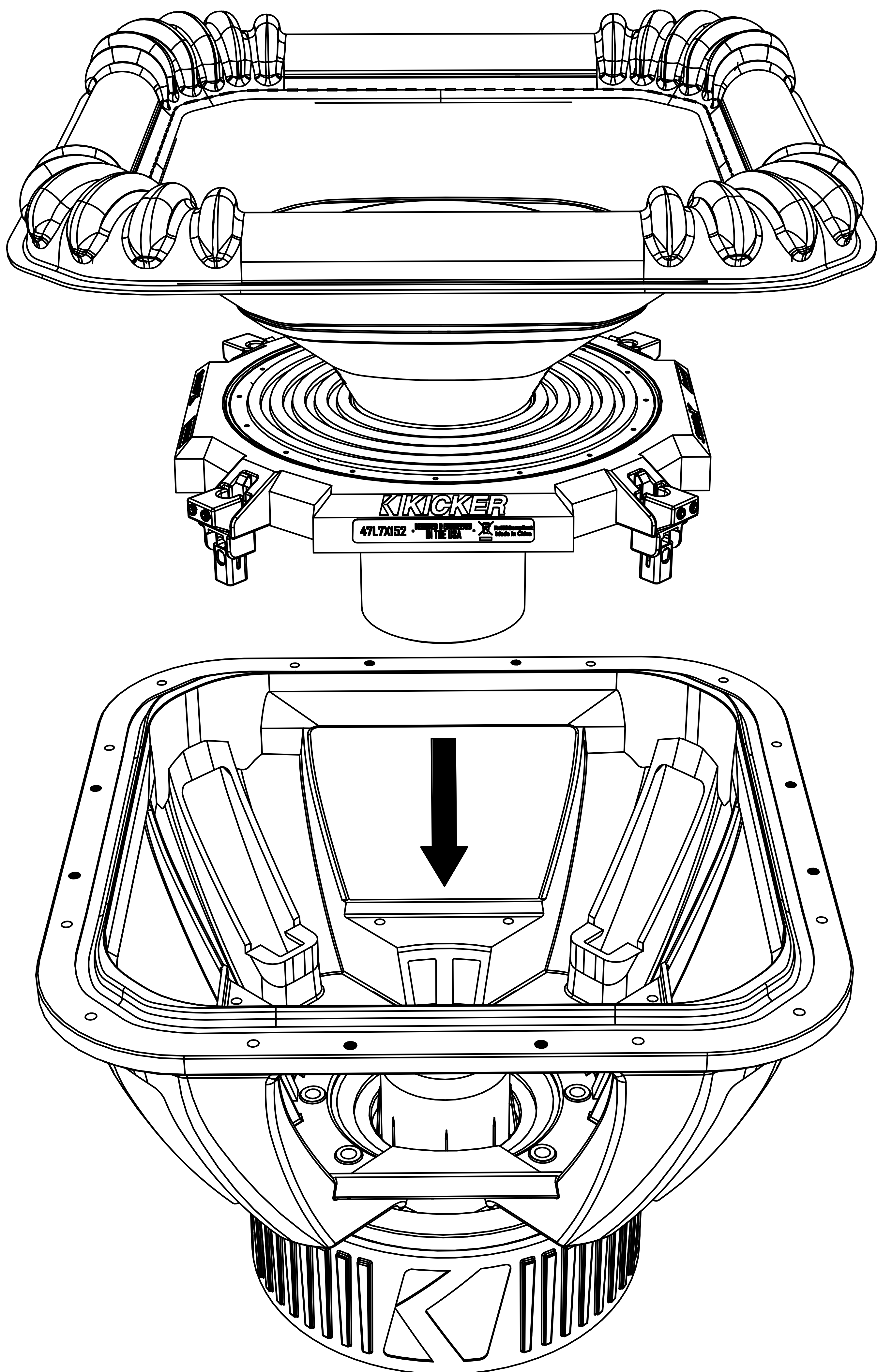


After all the Voice Coil Alignment Pins are inserted, push the pins towards the magnetic pole until the pins are held to the pole magnetically. Space the pins evenly around the pole.

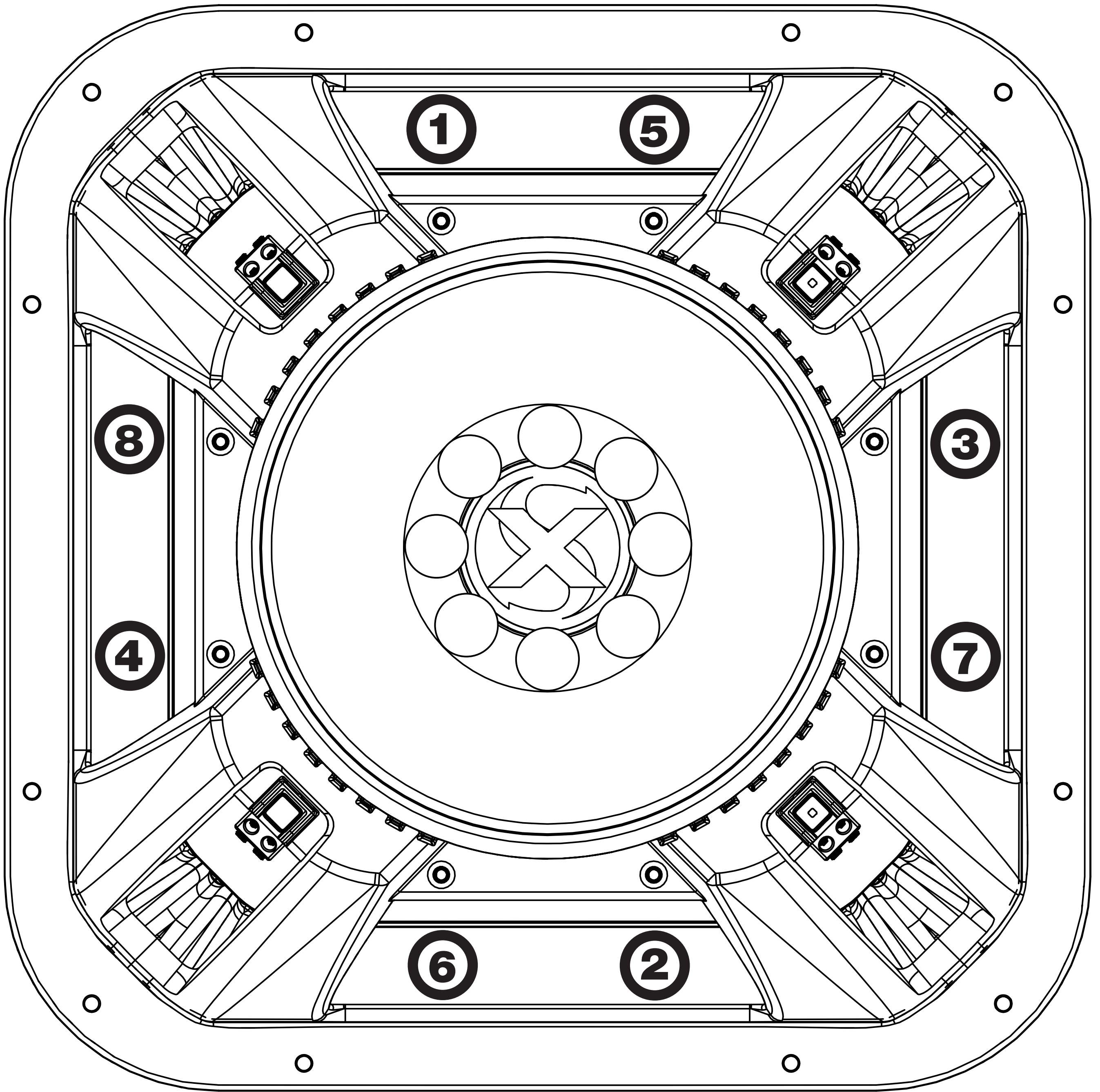
push the tips of all 8 pins towards the magnetic pole in the middle until they are held in place



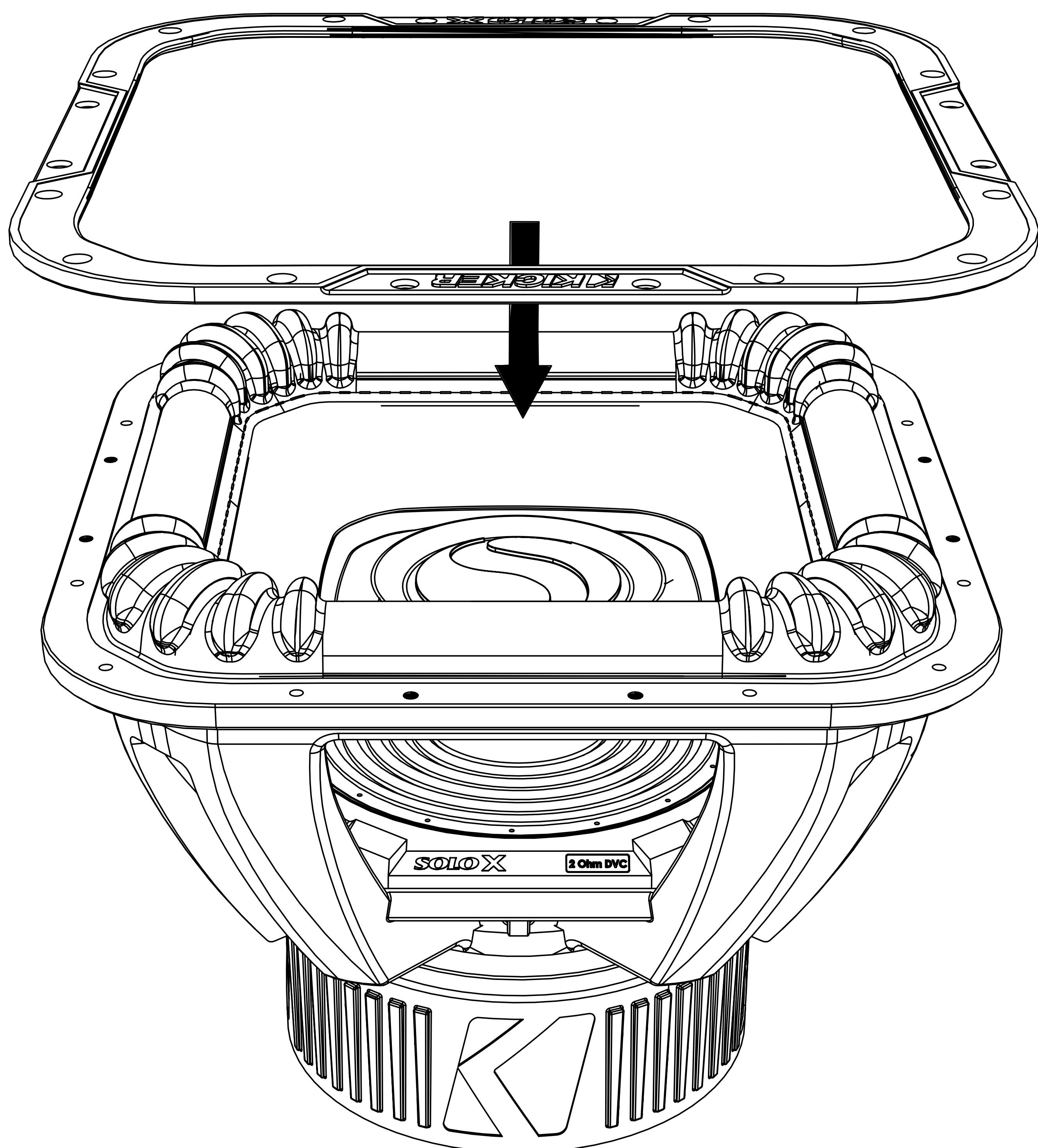
With the Basket Assembly still laying on its side, insert the new Cone Assembly into the Basket Assembly. Pay close attention and ensure that the pins lay inside of the voice coil, allowing the voice coil to smoothly slide into place over the magnetic pole.



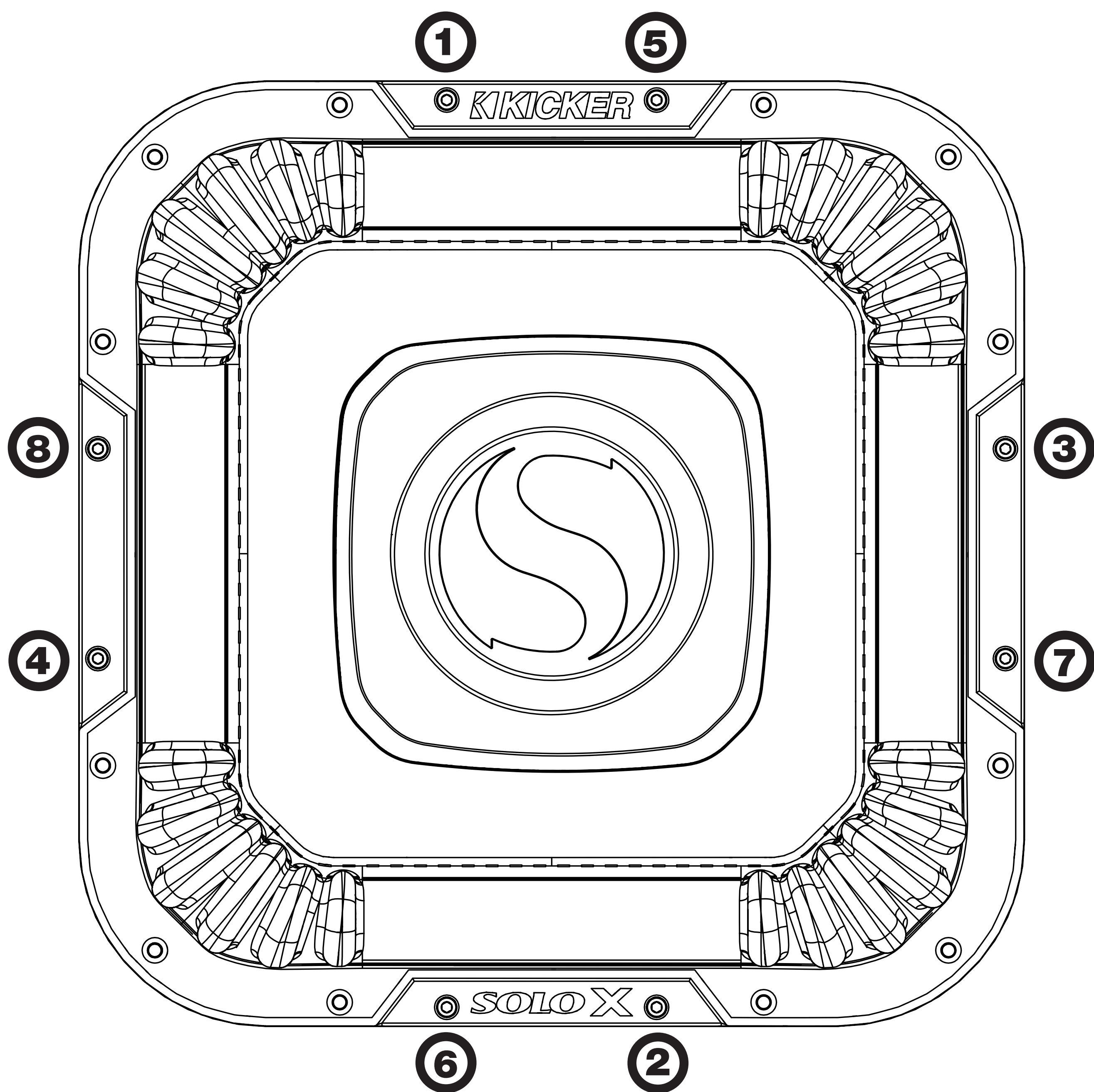
Secure the Spider to the Basket Assembly using the eight M5x0.8x16mm bolts. Loosely start all bolts before tightening. Torque the bolts to 20in-lbs in the sequence shown below.



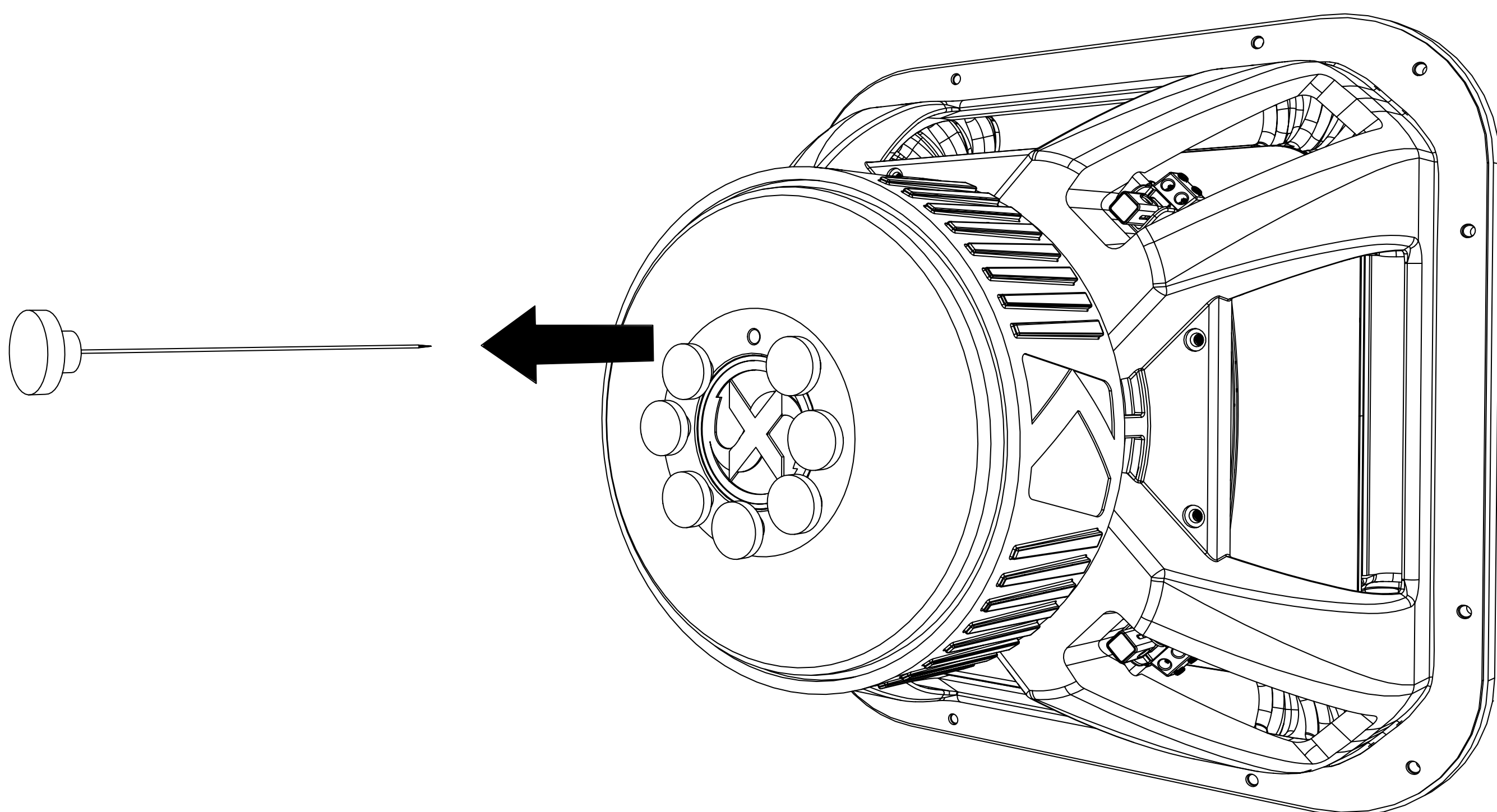
Turn speaker upright and install the Surround Mounting Flange over the Surround.



Secure the Surround Mounting Flange to the basket with the eight M5x0.8x10mm bolts. Loosely start all bolts before tightening. Torque bolts to 20in-lbs in the sequence shown below.



Remove the Voice Coil Alignment Pins from the motor.



# Warranty

---

When purchased from an Authorized KICKER Dealer, KICKER warrants this product to be free from defects in material and workmanship under normal use for a period of ONE (1) YEARS from date of original purchase with receipt. If this product is identified as “Refurbished” or “B Goods”, the warranty is limited to a period of THREE (3) MONTHS from the date of original purchase. In all cases you must have the original receipt. Should service be necessary under this warranty for any reason due to manufacturing defect or malfunction during the warranty period, KICKER will repair or replace (at its discretion) the defective merchandise with equivalent merchandise. Warranty replacements may have cosmetic scratches and blemishes. Discontinued products may be replaced with more current equivalent products. This warranty is valid only for the original purchaser and is not extended to owners of the product subsequent to the original purchaser. Any applicable implied warranties are limited in duration to a period of the express warranty as provided herein beginning with the date of the original purchase at retail, and no warranties, whether express or implied, shall apply to this product thereafter. Some states do not allow limitations on implied warranties; therefore, these exclusions may not apply to you. This warranty gives you specific legal rights; however you may have other rights that vary from state to state.

## **WHAT TO DO IF YOU NEED WARRANTY OR SERVICE:**

Defective merchandise should be returned to your local Authorized Stillwater Designs (KICKER) Dealer for warranty service. Assistance in locating an Authorized Dealer can be found at [www.KICKER.com](http://www.KICKER.com) or by contacting Stillwater Designs directly. You can confirm that a dealer is authorized by asking to see a current authorized dealer window decal.

If it becomes necessary for you to return defective merchandise directly to Stillwater Designs (KICKER), call the KICKER Customer Service Department at (405) 624-8510 for a Return Merchandise Authorization (RMA) number. Package only the defective items in a package that will prevent shipping damage, and return to:

**Stillwater Designs**  
**3100 North Husband St**  
**Stillwater, OK 74075**

The RMA number must be clearly marked on the outside of the package. Please return only defective components. The return of functioning items increases your return freight charges. Non-defective items will be returned freight collect to you. For example, if a subwoofer is defective, only return the defective subwoofer, not the entire enclosure. Include a copy of the original receipt with the purchase date clearly visible, and a “proof-of-purchase” statement listing the Customer’s name, Dealer’s name and invoice number, and product purchased. Warranty expiration on items without proof-of-purchase will be determined from the type of sale and manufacturing date code. Freight must be prepaid; items sent freight-collect, or COD, will be refused.

## **WHAT IS NOT COVERED?**

This warranty is valid only if the product is used for the purpose for which it was designed. It does not cover:

- o Damage due to improper installation
- o Subsequent damage to other components
- o Damage caused by exposure to moisture, excessive heat, chemical cleaners, and/or UV radiation
- o Damage through negligence, misuse, accident or abuse. Repeated returns for the same damage may be considered abuse
- o Any cost or expense related to the removal or reinstallation of product
- o Speakers damaged due to amplifier clipping or distortion
- o Items previously repaired or modified by any unauthorized repair facility
- o Return shipping on non-defective items
- o Products with tampered or missing barcode labels
- o Products with tampered or missing serial numbers
- o Products returned without a Return Merchandise Authorization (RMA) number
- o Products purchased from an UNAUTHORIZED dealer
- o Freight Damage
- o The cost of shipping product to KICKER
- o Service performed by anyone other than KICKER

## **HOW LONG WILL IT TAKE?**

KICKER strives to maintain a goal of one-week service for all acoustics (subwoofers, midrange drivers, tweeters, crossovers, etc) returns. Delays may be incurred if lack of replacement inventory or parts is encountered. Failure to follow these steps may void your warranty. Any questions can be directed to the KICKER Customer Service Department at (405) 624-8510. Contact your International KICKER dealer or distributor concerning specific procedures for your country’s warranty policies.



# Contenido

---

Descripción general .....	26
Especificaciones .....	27
Instalación .....	28
Configuración del cableado..	28
Notas para la construcción de cajas acústicas .....	30
Carcasas ventiladas .....	33
Kit de reconexión .....	34
Garantía   Garantie .....	88

# Descripción general

---

## **ADVERTENCIA IMPORTANTE DE SEGURIDAD**

LA OPERACIÓN CONTINUA Y PROLONGADA DE UN AMPLIFICADOR, ALTAVOZ O SUBWOOFER EN UNA FORMA DISTORSIONADA, CORTADA O CON DEMASIADA POTENCIA PUEDE RECALENTAR SU SISTEMA DE AUDIO Y LLEGAR A INCENDIARLO, ESTO PODRÍA CAUSAR DAÑOS SERIOS A SUS COMPONENTES Y/O VEHÍCULO. LOS AMPLIFICADORES REQUIEREN DE UN MÁXIMO DE 4 PULGADAS (10 CM) DE VENTILACIÓN ABIERTA. LOS SUBWOOFERS DEBEN INSTALARSE CON AL MENOS 2 PULGADA (5 CM) DE ESPACIO ENTRE LA PARTE FRONTAL DEL ALTAVOZ Y CUALQUIER SUPERFICIE. ¡LOS PRODUCTOS KICKER TIENEN LA CAPACIDAD DE PRODUCIR NIVELES DE SONIDO QUE PUEDEN DAÑAR DE FORMA PERMANENTE SU AUDICIÓN! AUMENTAR EL VOLUMEN DE UN SISTEMA HASTA UN NIVEL QUE GENERE DISTORSIÓN AUDIBLE ES MÁS DAÑINO PARA SUS OÍDOS QUE ESCUCHAR UN SISTEMA SIN DISTORSIONES AL MISMO NIVEL DE VOLUMEN. EL UMBRAL DEL DOLOR ES SIEMPRE UN INDICADOR DE QUE EL NIVEL DE SONIDO ES DEMASIADO ELEVADO Y PUEDE DAÑAR PERMANENTEMENTE SU AUDICIÓN. UTILICE EL SENTIDO COMÚN CUANDO CONTROLE EL VOLUMEN.

El L7X reinventa el manejo de potencia masivo y el motor de la legendaria línea de subwoofers L7 SoloX de KICKER con la ingeniería, los materiales y los conceptos de diseño más actuales. Si desea el mejor desempeño en SPL y los graves más bajos, ya no busque más y decídase por el galardonado pedigrí de KICKER con esta afamada línea de subwoofers. Y recuerde que el controlador es solo la mitad de la ecuación. Sin la inmensa potencia que se necesita para accionar estos subwoofers, se estará quedando corto. Use estos subwoofers con nuestros amplificadores de alta potencia de la línea Warhorse para demoler a la competencia y conseguir toda la salida de baja frecuencia que busca.

# Especificaciones

	<b>L7X10</b>	<b>L7X12</b>	<b>L7X15</b>
Woofer [pulgadas, mm]	10, 25	12, 30	15, 38
Potencia recomendada del amplificador [vatios RMS]	1000-2000	1000-2000	1000-2000
Respuesta de frecuencia [Hz]	25-100	20-100	20-100
Diámetro del imán [pulgadas, cm]	8 11/16, 22	8 11/16, 22	8 11/16, 22
Peso total del imán [oz, kg]	406, 11.5	406, 11.5	406, 11.5
Diámetro de la bobina de voz [pulgadas, mm]	3, 75	3, 75	3, 75
Ancho de la bobina de voz [pulgadas, mm]	2.5, 62.5	2.5, 62.5	2.5, 62.5
Espesor de la placa superior [pulgadas, mm]	0.5, 12	0.5, 12	0.5, 12
Impedancia nominal [ $\Omega$ ]	1 o 2	1 o 2	1 o 2
Xmax (Excursión lineal) [mm]	1.25, 31.25	1.25, 31.25	1.25, 31.25
Abertura de montaje [pulgadas, cm]	9-5/16, 23.7	11-1/16, 28.1	13-3/4, 34.9
Profundidad de montaje [pulgadas, cm]	9-7/16, 24	10-1/8, 25.7	11-9/16, 29.3

**Nota:** Todas las especificaciones y cifras de desempeño están sujetas a cambio. Visite **[www.kicker.com](http://www.kicker.com)** para encontrar la información más reciente. Para obtener el mejor desempeño de sus nuevos altavoces KICKER, le recomendamos usar accesorios y cables KICKER. Espere dos semanas para que los altavoces se adapten y alcancen su desempeño óptimo.

**Consejo de profesionales:** ¡Está a solo un amplificador KICKER y algunos cables de tener una actualización completa del sistema que controlará cualquier equipo de fábrica! La línea de amplificadores KICKER facilita la actualización para obtener bajos sólidos con su unidad fuente existente u original. De igual forma, pregunte a su vendedor sobre las mejoras en el altavoz KICKER.

# Instalación

---

## Configuración del cableado

Los subwoofers de la serie L7X se fabrican con doble bobina de voz de  $1\Omega$  o  $2\Omega$ .

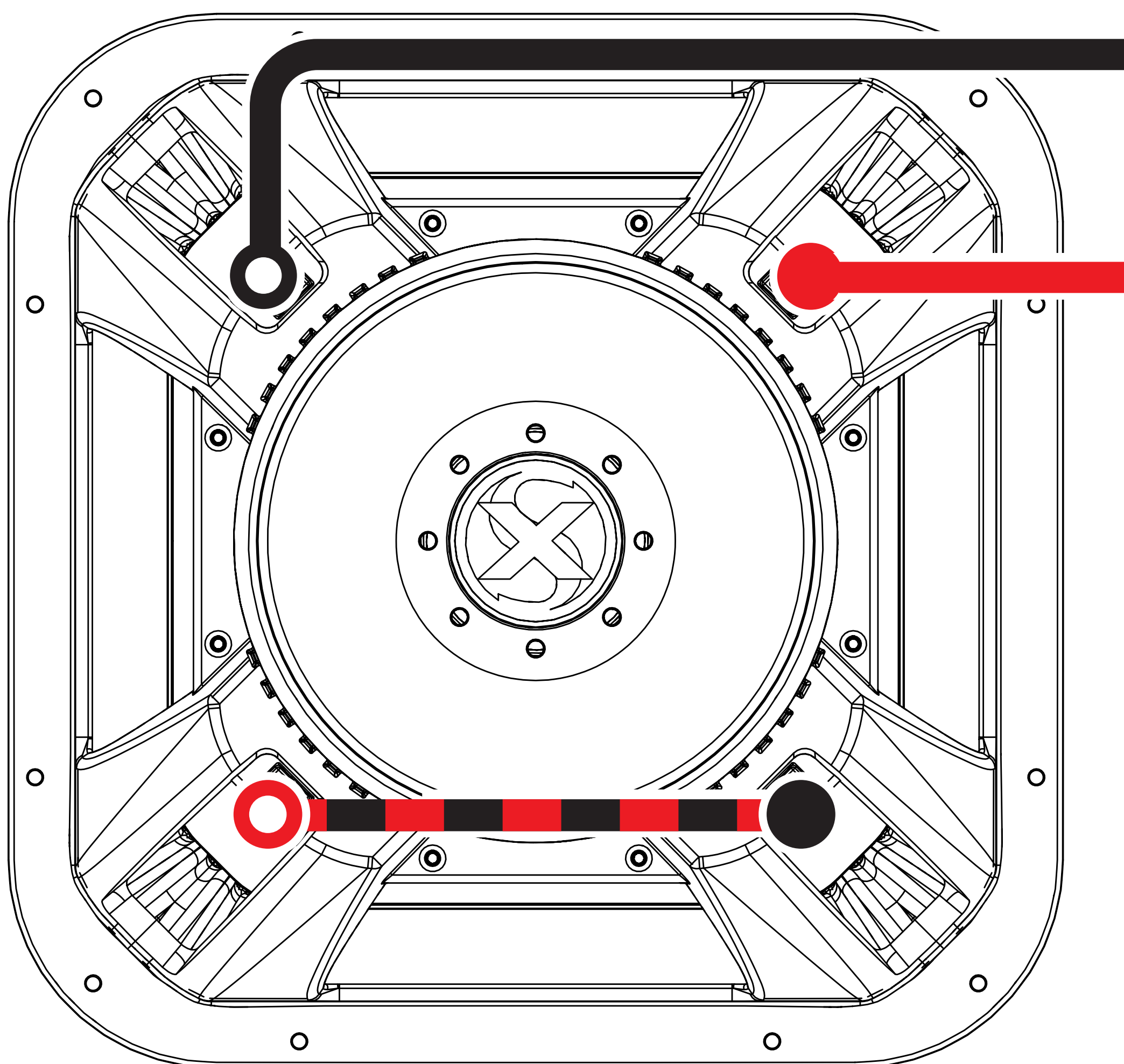
Ambas bobinas deben estar conectadas a una fuente de amplificación. Las bobinas de voz duales de  $1\Omega$  proporcionarán una carga de  $0.5\Omega$  cableada en paralelo o una carga de  $2\Omega$  cableada en serie. Las bobinas de voz duales de  $2\Omega$  proporcionarán una carga de  $1\Omega$  cableada en paralelo o una carga de  $4\Omega$  cableada en serie. **Asegúrese de que su unidad fuente o amplificador esté clasificado para operación con la carga de ohmios correcta.**

El cable del subwoofer debe mantenerse alejado de bordes afilados y evitar la posibilidad de que quede atrapado por el maletero. Si no existen un pasacables u orificio de fábrica o estos son inaccesibles, debe perforar un orificio para deslizar el cable. Tenga cuidado de no perforar otros cables o mecanismos existentes. Siempre que se pase un cable por un orificio, es necesario insertar un pasacables de goma o plástico para proteger el cable de daños.

## Cableado en serie

Bobinas de voz duales  $1\Omega =$  Carga de  $2\Omega$

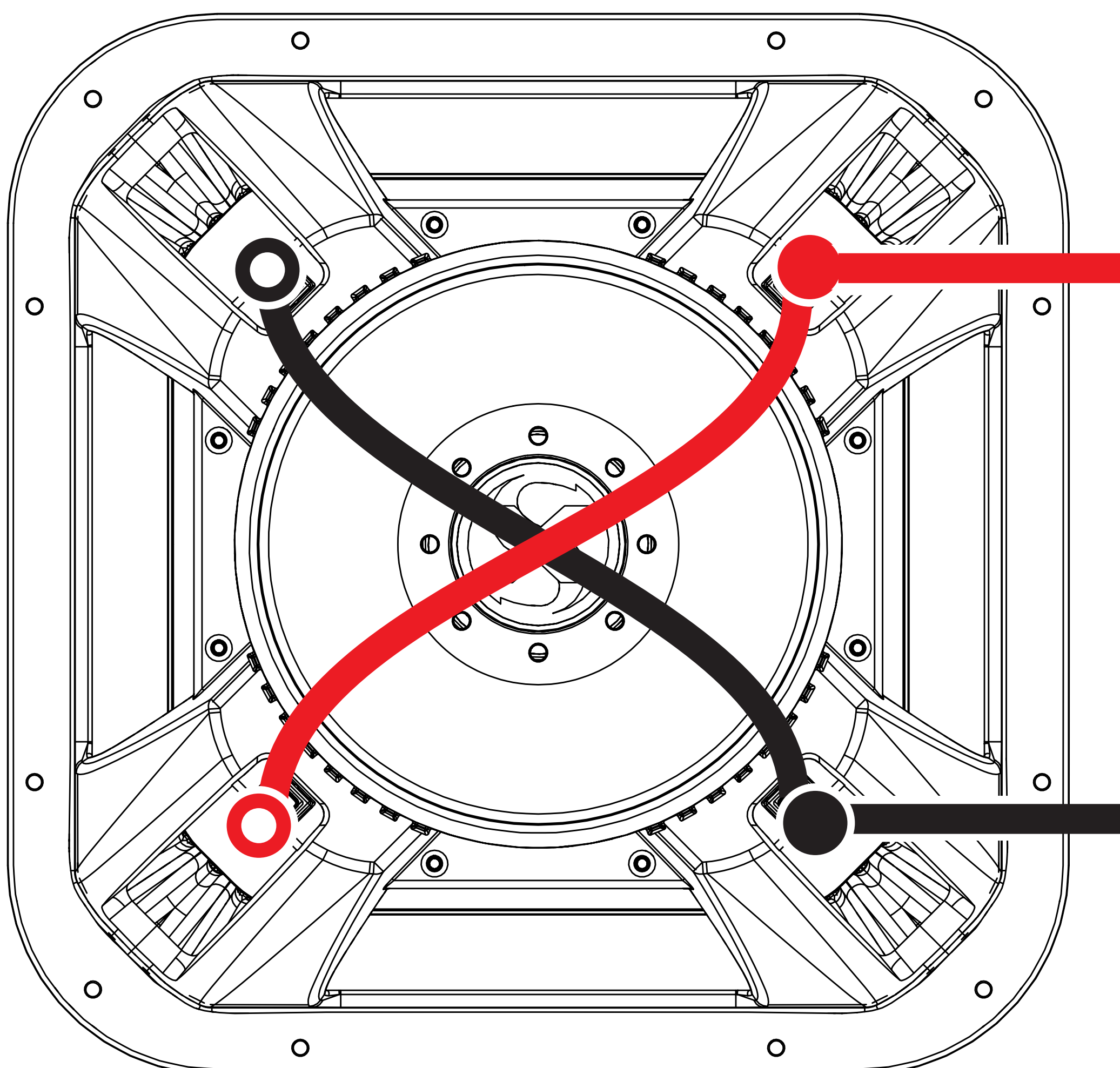
Bobinas de voz duales  $2\Omega =$  Carga de  $4\Omega$



## Cableado en paralelo

Bobinas de voz duales  $1\Omega =$  Carga de  $0.5\Omega$

Bobinas de voz duales  $2\Omega =$  Carga de  $1\Omega$

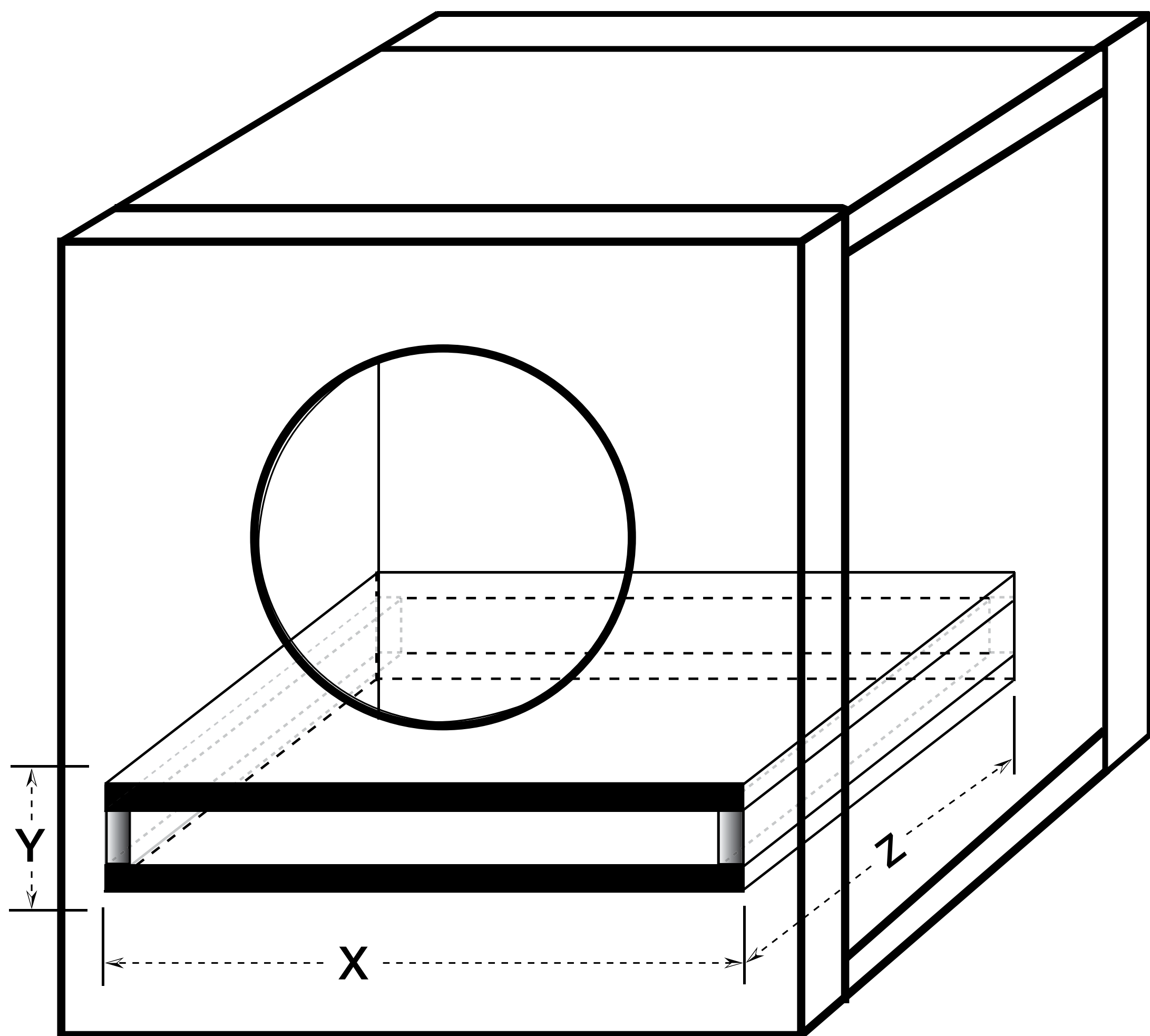


# Notas para la construcción de cajas acústicas

KICKER recomienda utilizar tornillos de montaje M5 o n.º 10 con tuercas en T. Use MDF (fibra de densidad media) o contrachapado de abedul de 3/4" (1.9 cm) o más gruesa y selle las uniones con silicona. Use la "plantilla" dentro de la caja de embalaje de su subwoofer L7X para marcar el orificio de montaje, después corte directamente sobre la línea. Estos diseños necesitan refuerzos internos. Agregue refuerzos triangulares entre cada uno de los paneles sin soporte de mayor tamaño.

En el caso de las carcasas ventiladas, el desplazamiento del puerto debe calcularse y agregarse al volumen interno del diseño final. Use las dimensiones externas del puerto y multiplique "X x Y x Z", convierta a pies cúbicos.

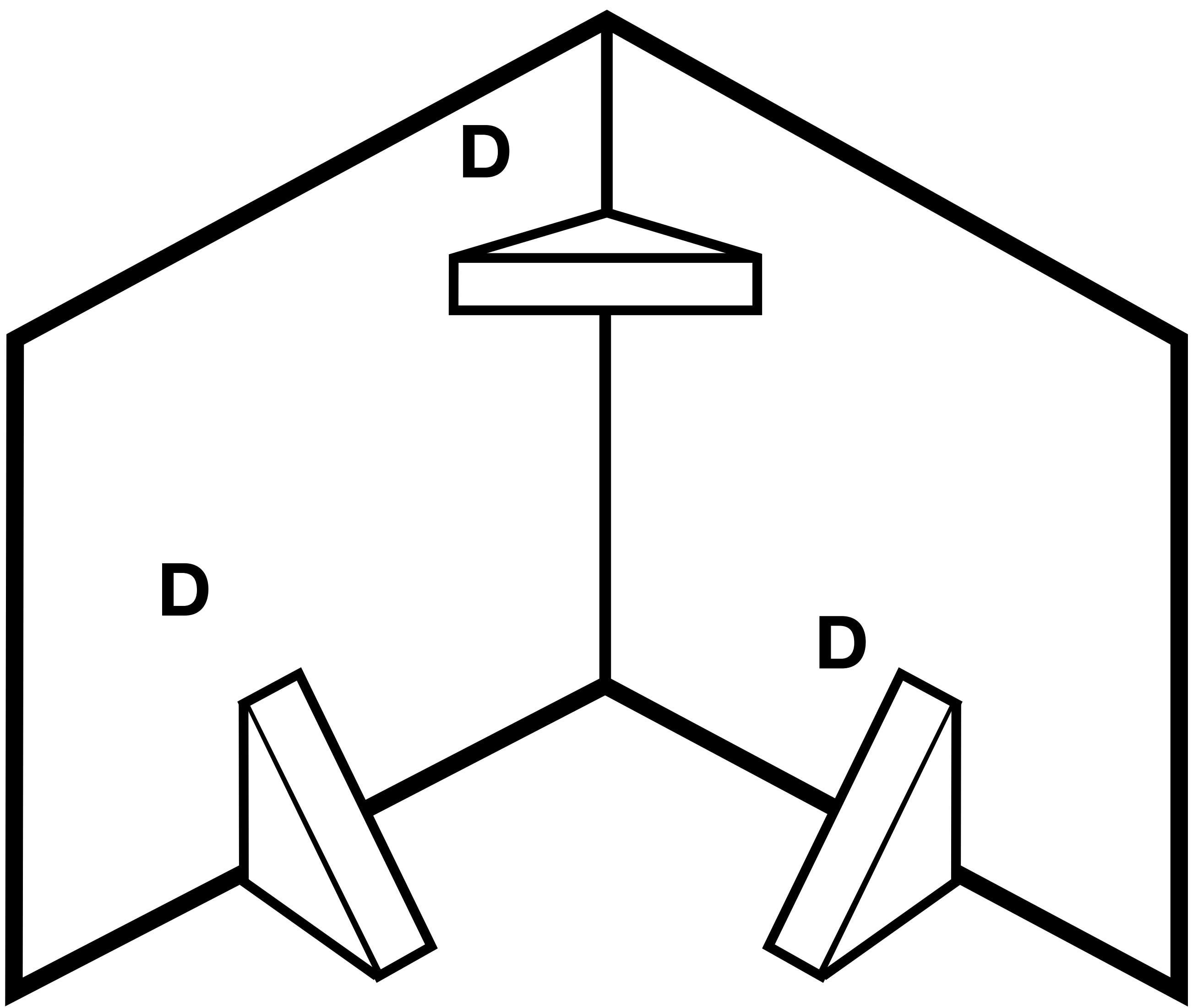
Debido a la longitud necesaria de estos puertos, es probable que desee plegar el puerto a lo largo de las paredes inferior y posterior. No sería práctico utilizar puertos redondos para estos diseños.



No instale una abertura de puerto sobre una superficie sólida, como un soporte interno, un panel posterior o una pared del maletero, asiento o panel interior de su vehículo. La abertura del puerto debe permanecer libre de obstrucciones. Utilice la dimensión más pequeña del puerto rectangular como la cantidad de espacio mínima entre la abertura del puerto y cualquier superficie sólida para asegurar un flujo de aire sin restricciones.

Puede rellenar ligeramente su carcasa con relleno de poly-fil. Los diseños con puerto requerirán de cubrir el extremo del puerto (ubicado dentro de la caja) con paño rejilla, malla de alambre o metal expandido para evitar que el poly-fil salga por el puerto. El uso de poly-fil reducirá ligeramente la eficiencia, pero profundizará y ampliará la salida de baja frecuencia logrando que su subwoofer se comporte como si estuviera en una caja más grande.

Agregue refuerzos triangulares entre cada uno de los paneles sin soporte de mayor tamaño. El bafle de montaje debe ser el doble que la pared de 3/4".



**L7X12, L7X15: D = 3" x 3" (8 cm x 8 cm)**

**L7X10: D = 2" x 2" (5 cm x 5 cm)**

Para asesoramiento adicional sobre la construcción de la caja, consulte a su Distribuidor autorizado Kicker o pulse la pestaña Soporte en la página de inicio de Kicker, **[www.kicker.com](http://www.kicker.com)**. Envíe un correo electrónico a [support@kicker.com](mailto:support@kicker.com) o llame a Soporte técnico al (405) 624-8583 para preguntas específicas o no contestadas.



# Carcasas ventiladas

Los subwoofers L7X manejarán cantidades enormes de potencia. Las carcasas ventiladas aumentarán la eficiencia de los graves y tienen una salida significativamente mayor de 30 a 80 Hz. La salida será considerablemente mayor que la de cualquier caja sellada. No olvides sumar el desplazamiento del subwoofer al volumen interno del diseño final.

	<b>L7X10</b>	<b>L7X12</b>	<b>L7X15</b>
Volumen recomendado de la caja ventilada en ft <sup>3</sup> [L]	2, [56.6]	3, [84.9]	5, [141.6]
Abertura del puerto, pulgada x pulgada [cm x cm]	2.5 X 12.25 [6 x 31]	3.5 X 13 [9 x 33]	4.25 X 16.5 [11 x 42]
Longitud de puerto, pulgadas [cm]	38.5, [98]	36.5, [93]	34.75, [88]
Frecuencia de sintonización (Hz)	31	31	30
Desplazamiento del subwoofer ft <sup>3</sup> [L]	0.18 [5.09]	0.19 [5.38]	0.21 [5.94]

# Kit de reconexión

El L7X se diseñó para el uso competitivo y, debido a que no se utiliza pegamento en el proceso de reconexión, el cono puede cambiarse en cuestión de minutos en caso de que ocurra una falla en el campo.

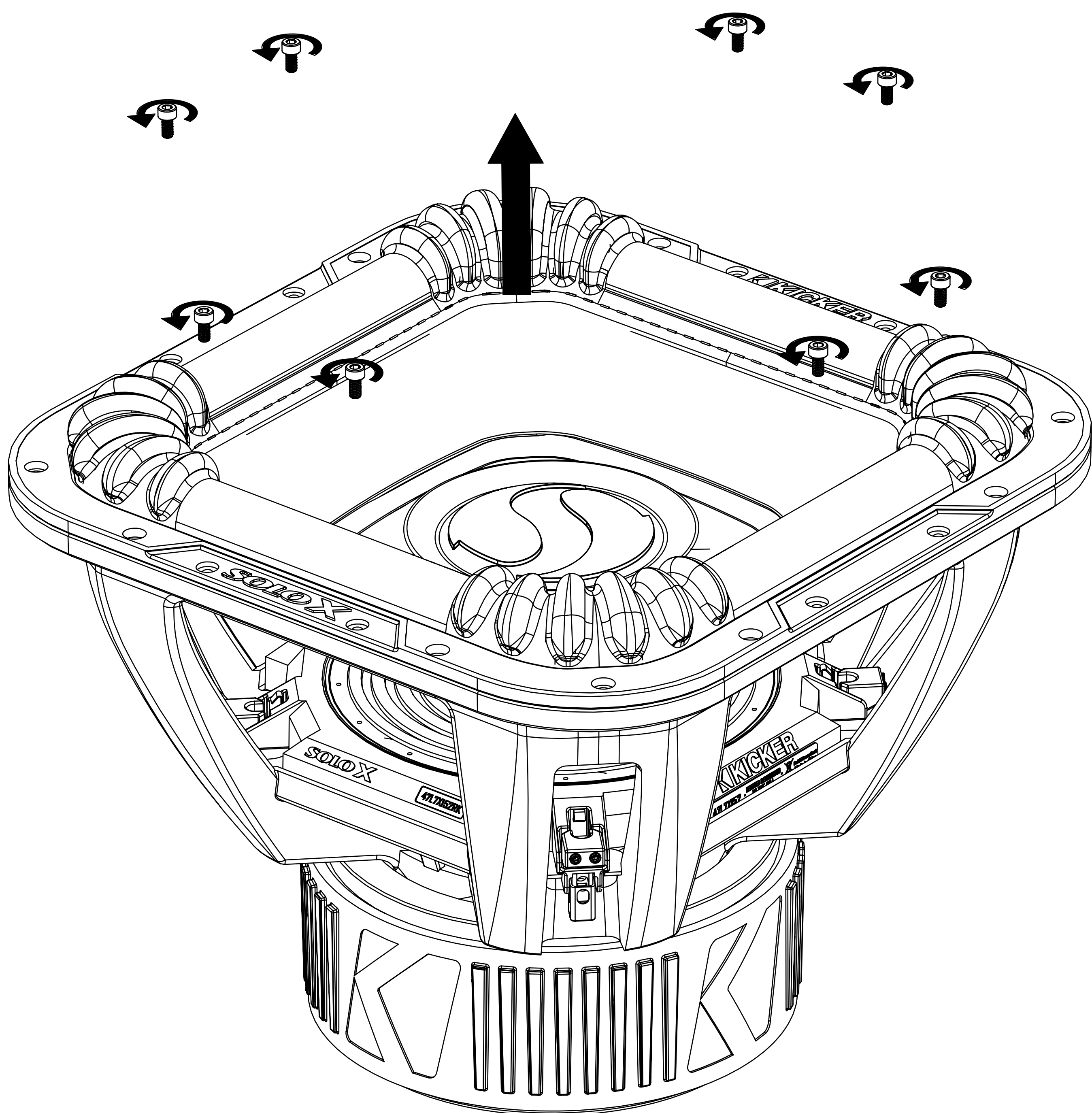
El ensamble de reconexión consta de un cono preensamblado, borde y bobina de voz que se atornillará al motor del L7X y al ensamble de canasta, y puede adquirirse en el sitio web de KICKER [aquí](#). **NO** intente utilizar kits de reconexión de impedancia alternativa cuando reconstruya el subwoofer. Por ejemplo, utilice únicamente el kit de reconexión de 1 ohmio en la estructura de subwoofer L7X de 1 ohmio.

Siga estos pasos para reconstruir el L7X.

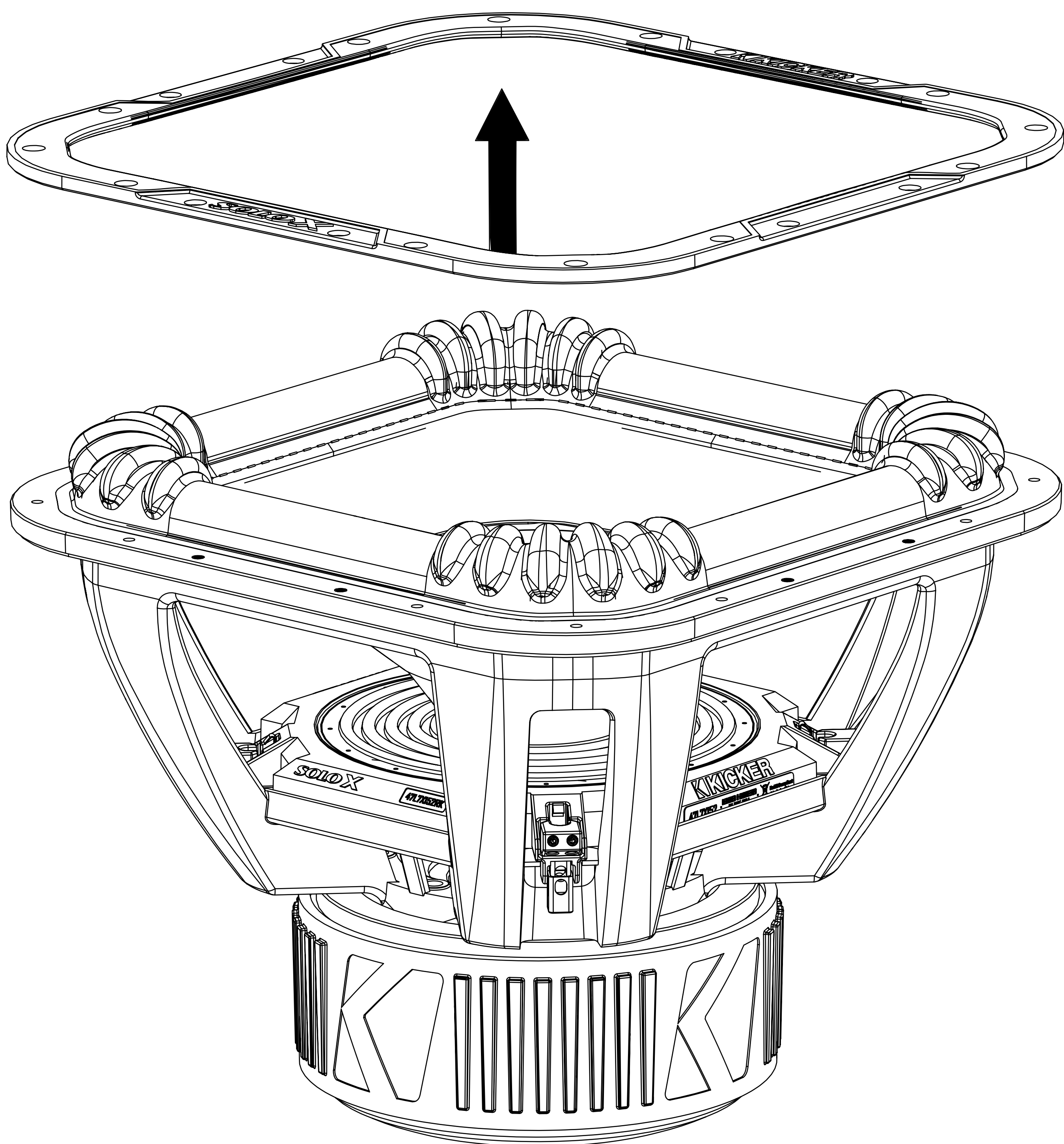
*¡No utilice herramientas eléctricas para este proceso! El imán del L7X es sumamente potente y podría provocar lesiones personales o daño de los elementos. Tenga cuidado con los objetos que incorporan material magnético.*

Comience por retirar el subwoofer de su ubicación de montaje y desconectar todo el cableado.

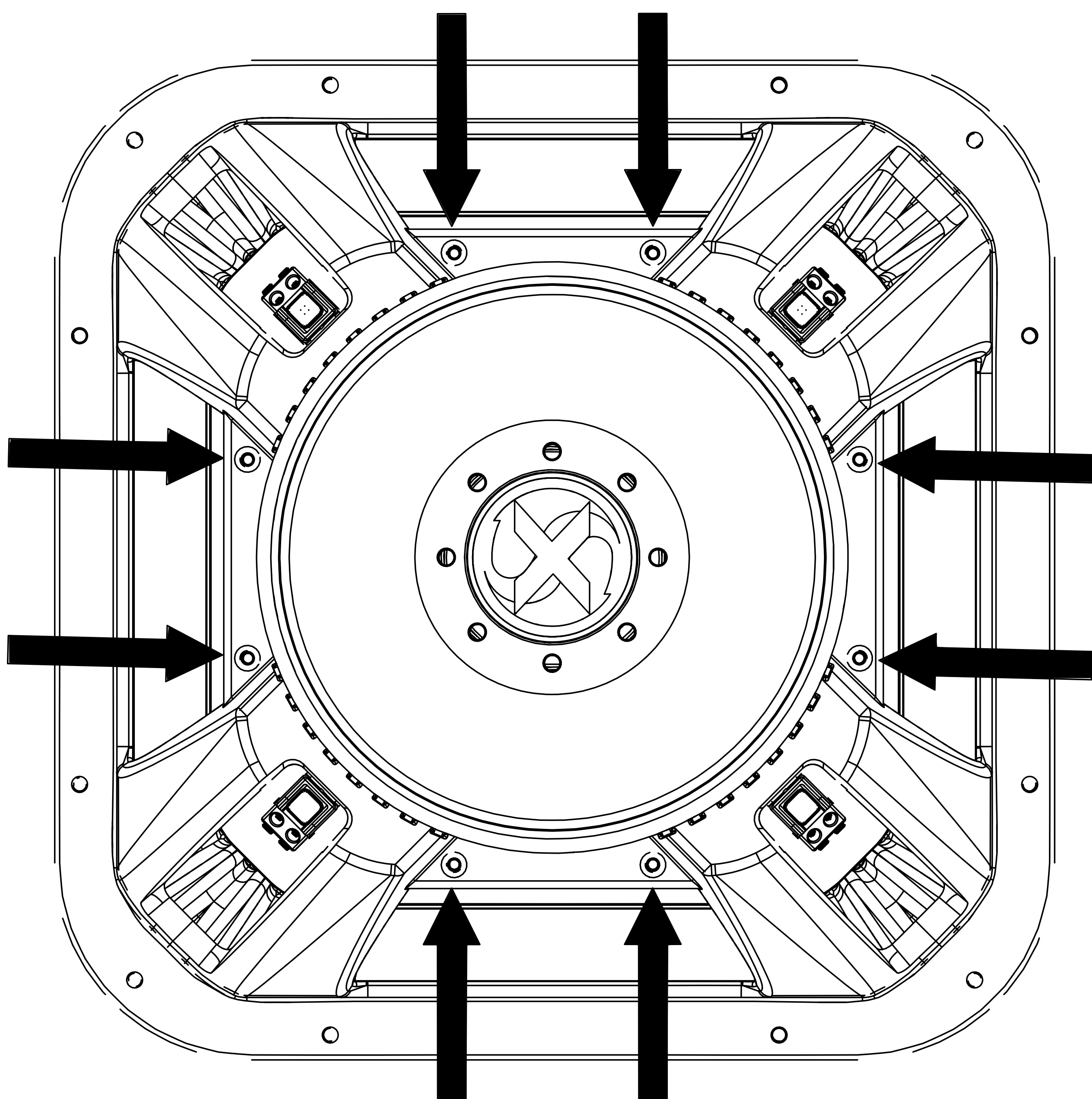
Con una llave Allen de 4 mm, retire los ocho pernos M5 de 0.8 mm x 10 mm que aseguran la brida de montaje con borde al ensamble de canasta.



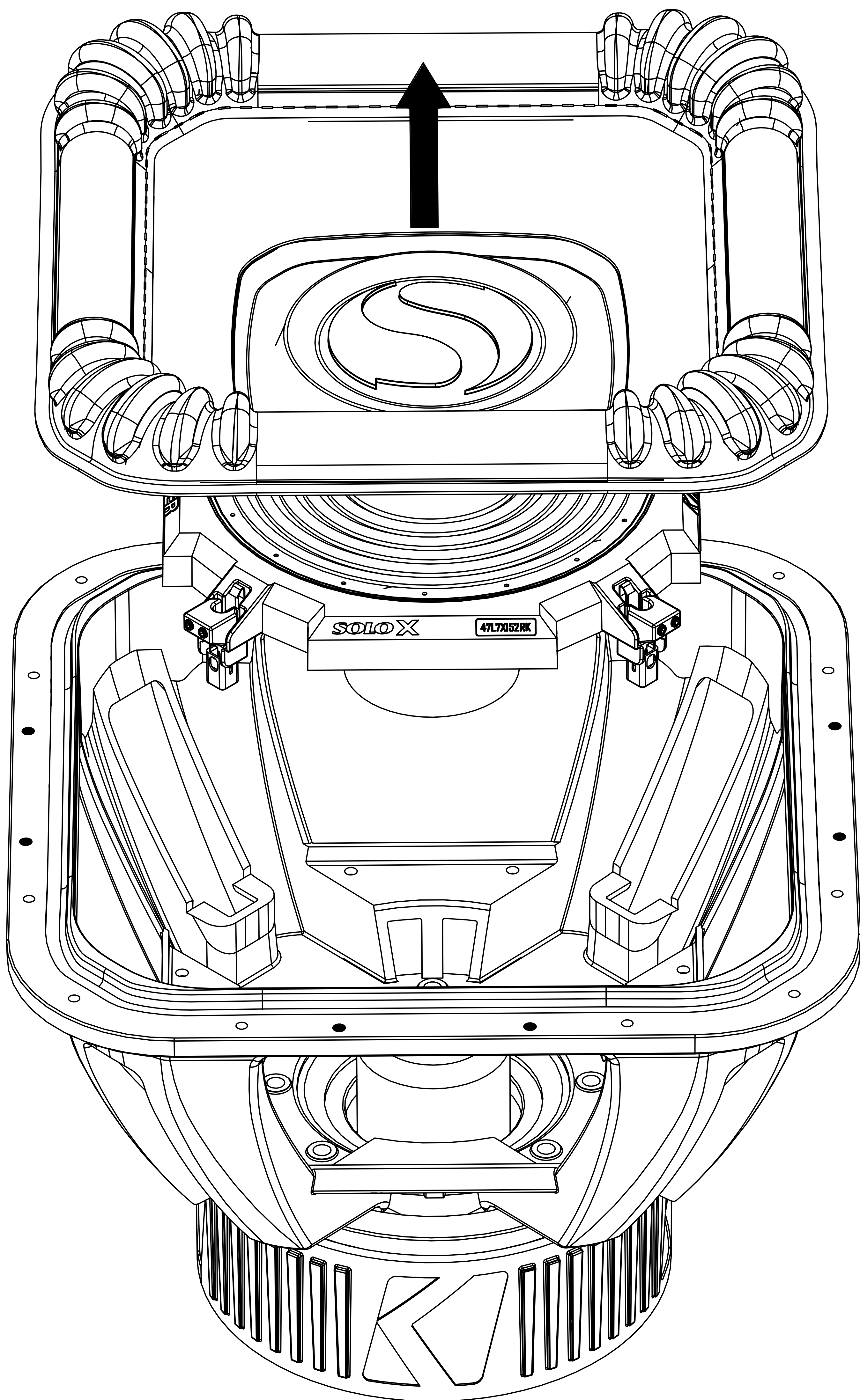
Retire la brida de montaje de borde del  
ensamble de canasta.



Desde el lado del imán (abajo) del montaje de canasta, use la llave Allen de 4 mm para retirar los ocho pernos M5 de 0.8 mm x 16 mm que aseguran la araña al ensamble de canasta.

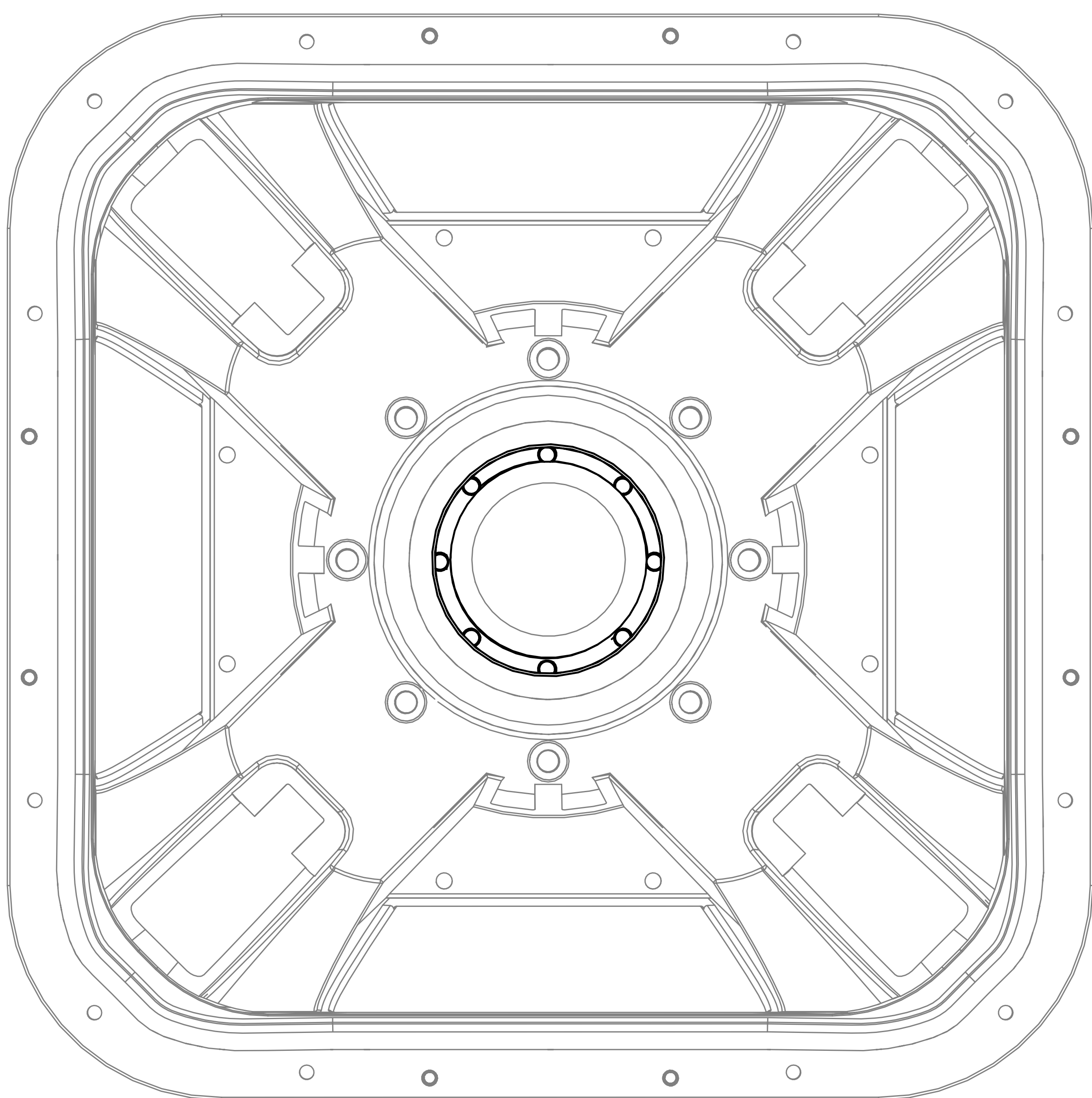


Desde el lado del cono (arriba) del ensamble de canasta, tire del ensamble de cono para retirarlo del ensamble de canasta.



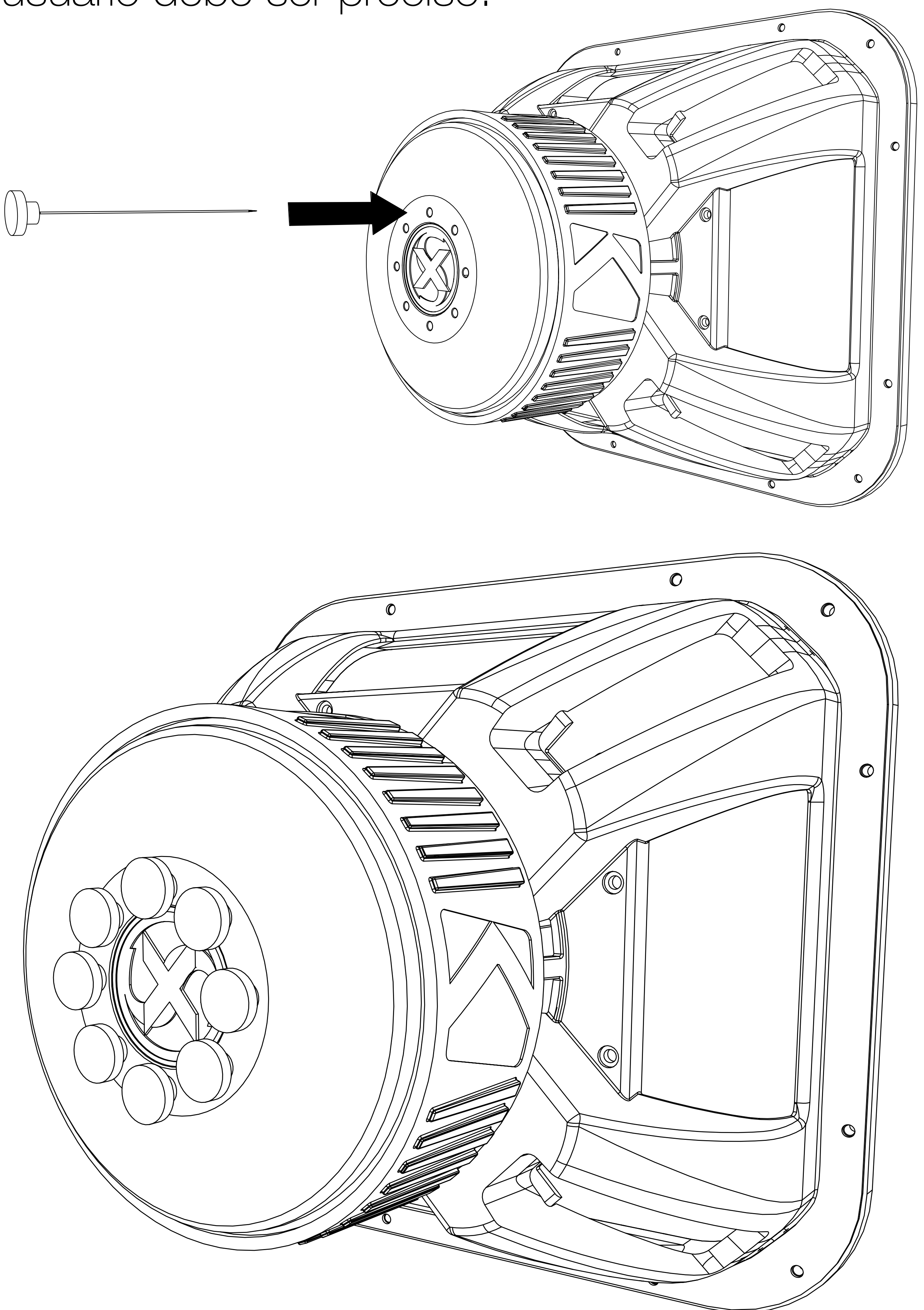
Limpie y retire toda la suciedad del espacio de la bobina de voz.

*NOTA: El imán del L7X es sumamente potente. No permita que objetos que incorporen materiales magnéticos caigan al espacio de la bobina de voz. Estos objetos podrían atascarse y el subwoofer quedaría inservible.*



*ADVERTENCIA: Los pasadores de alineación de la bobina de voz son muy afilados y podrían provocar lesiones graves o la muerte si no se manipulan correctamente. Tenga cuidado al manipularlos.*

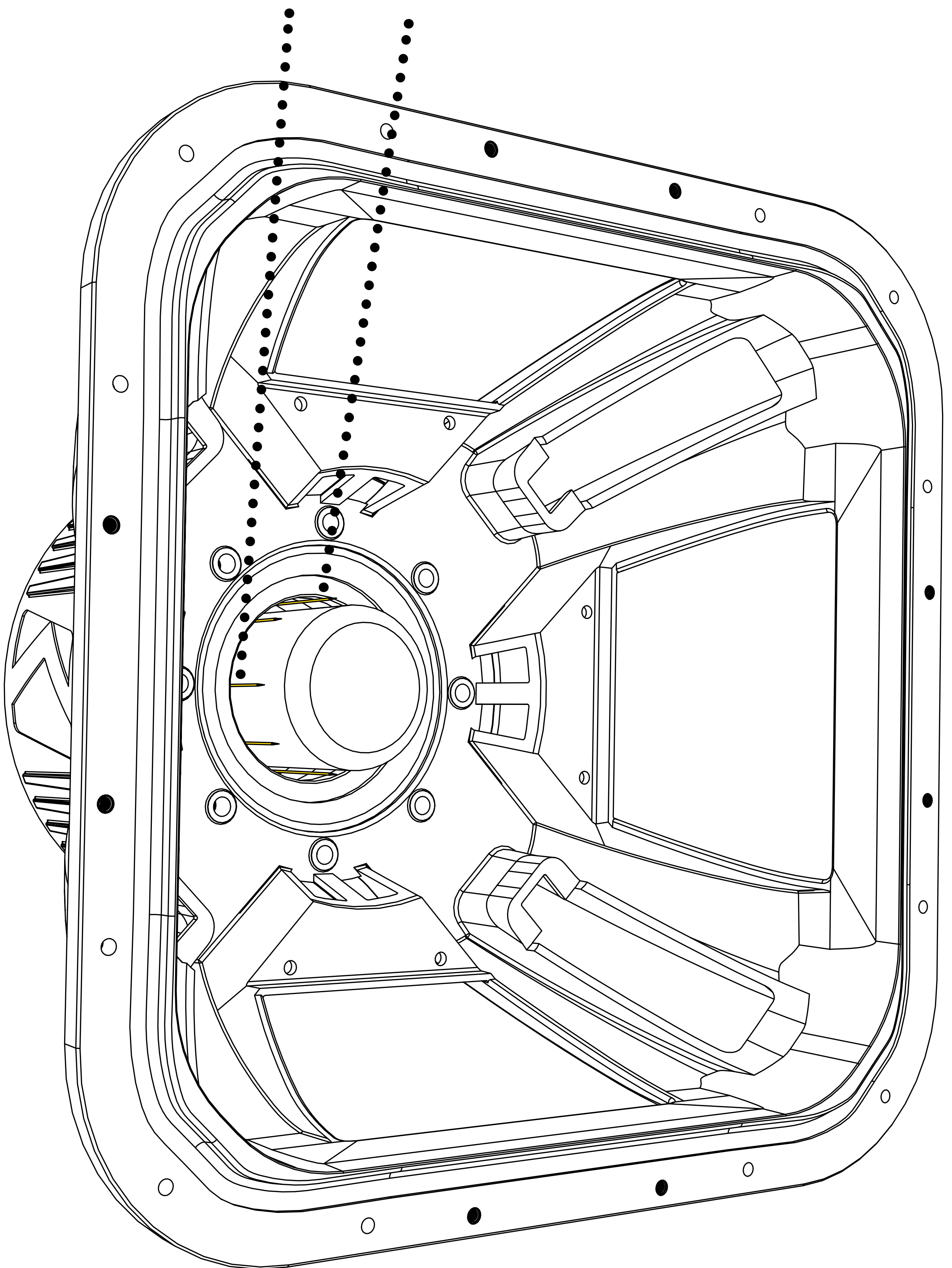
Con el ensamble de canasta a un lado, inserte un pasador de la bobina de voz en cada uno de los ocho orificios del motor del subwoofer. La cabeza del pasador debe tener contacto con el motor. Para lograr este contacto, el usuario debe ser preciso.



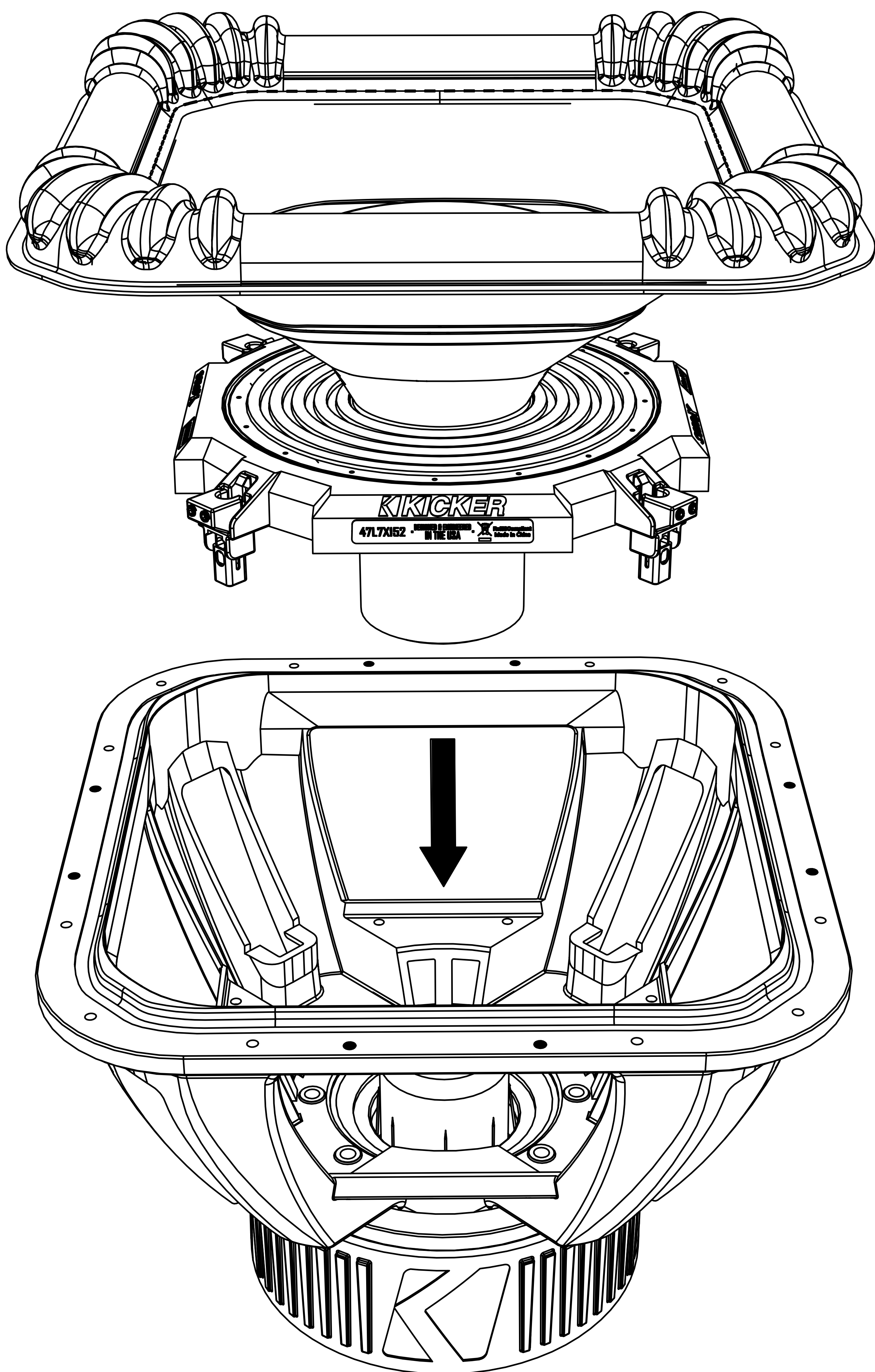


Tras insertar todos los pasadores de alineación de la bobina de voz, empuje los pasadores hacia el polo magnético hasta que todos los pasadores se unan al polo por acción magnética. El espacio entre los pines del polo debe ser uniforme.

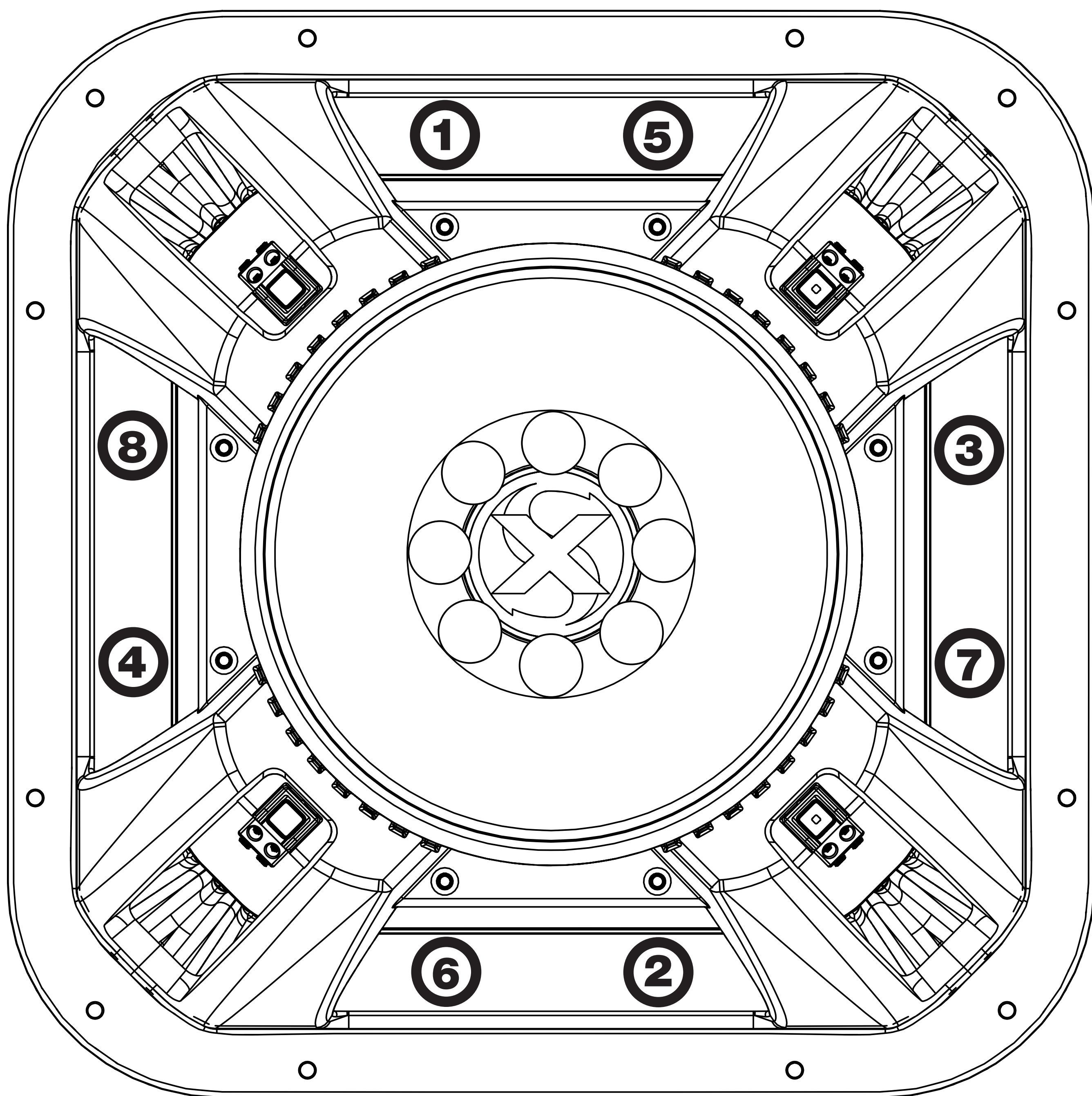
empuje las puntas de los 8 pasadores hacia el polo magnético en el medio hasta que se calcen en su lugar



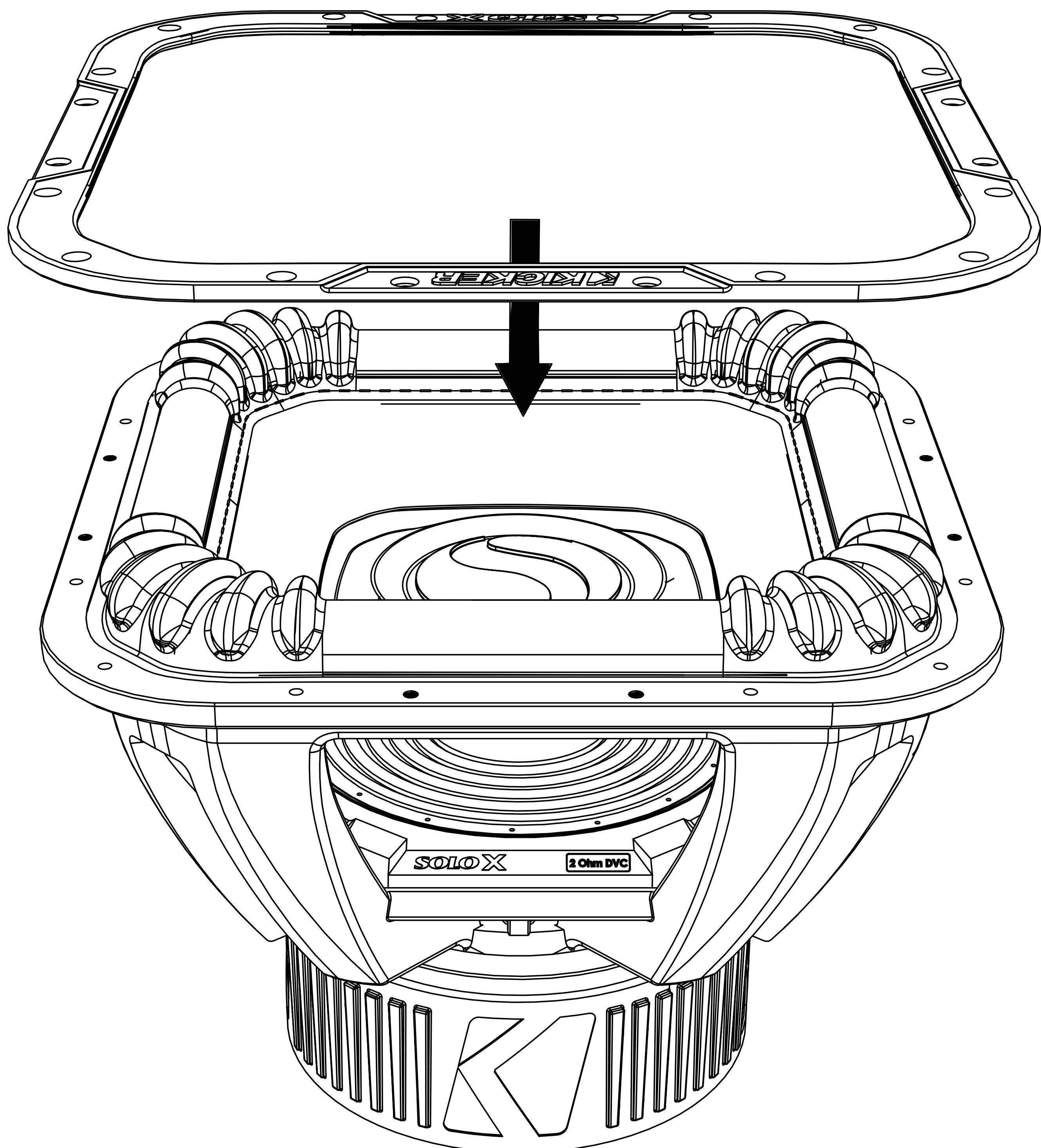
Con el ensamble de canasta aún a un lado, inserte el nuevo ensamble de cono en el ensamble de canasta. Preste mucha atención y asegúrese de que los pasadores estén dentro de la bobina de voz, y que sea posible deslizar suavemente la bobina de voz hasta su lugar encima del polo magnético.



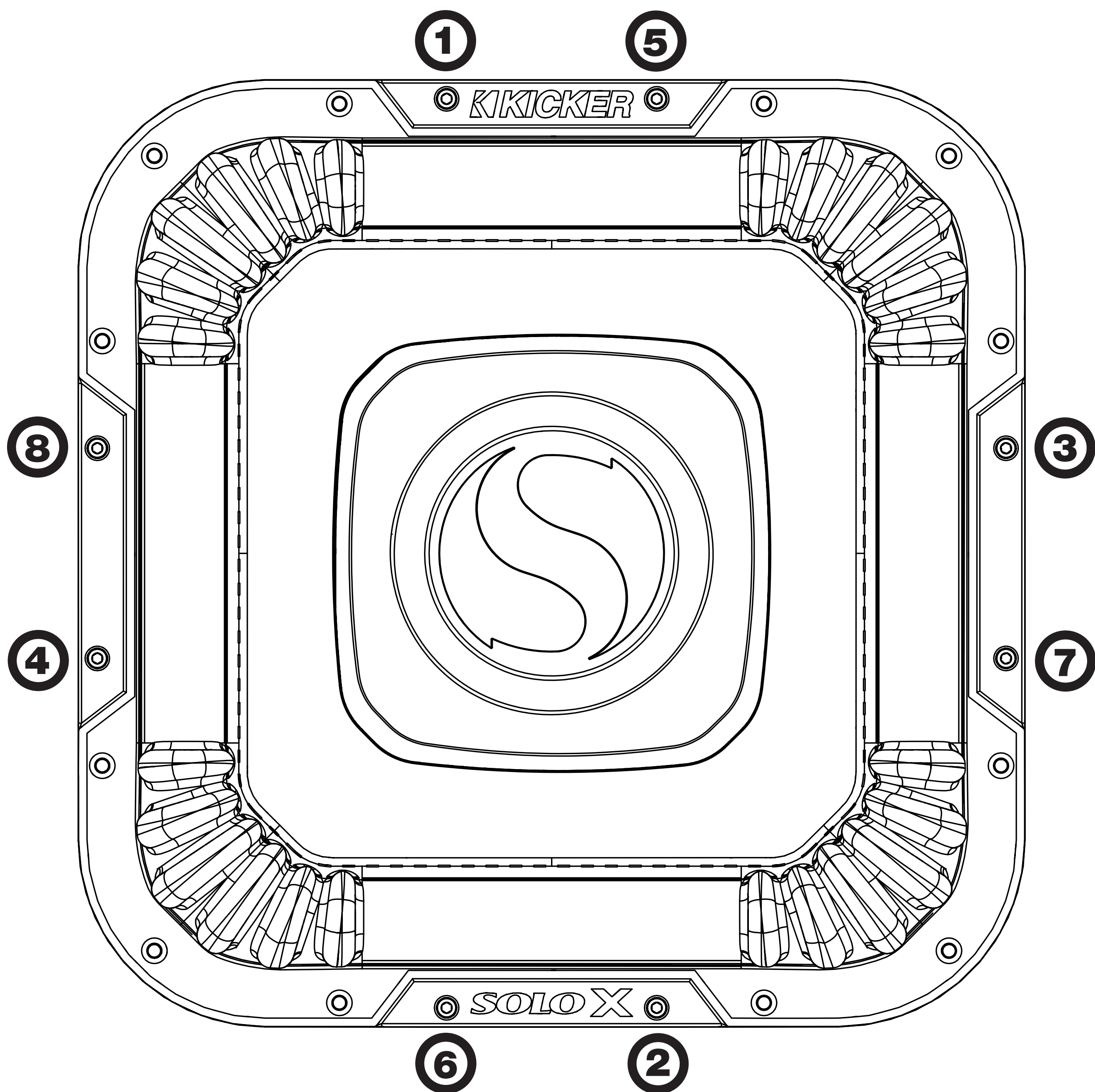
Asegure la araña al ensamble de canasta con los ocho pernos M5 de 0.8 mm x 16 mm. Primero afloje todos los pernos antes de apretarlos. Apriete los pernos a razón de 20 pulgadas-libra en la secuencia que se muestra a continuación.



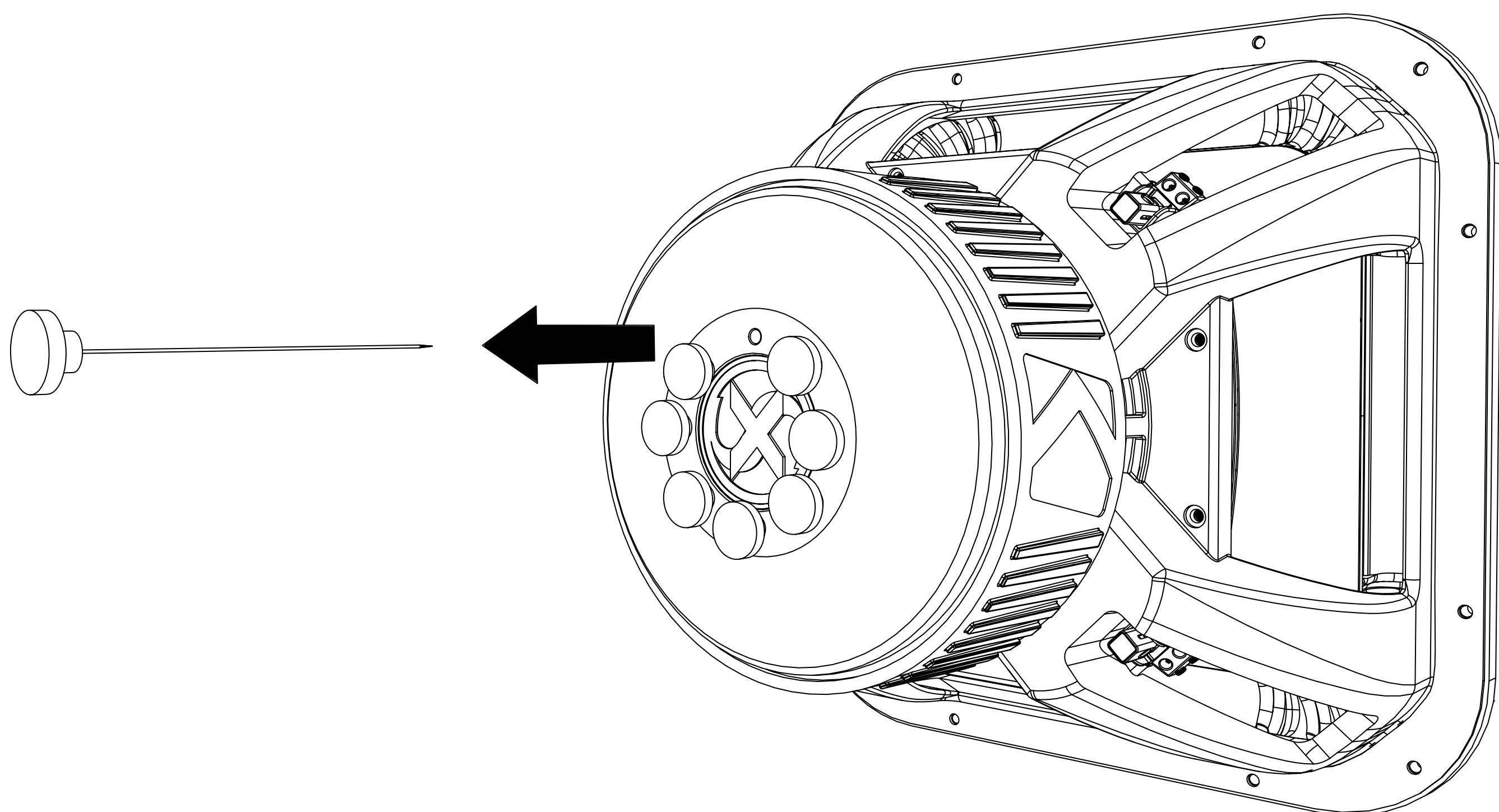
Coloque el altavoz en posición vertical e instale la brida de montaje de borde sobre el borde.



Asegure la brida de montaje de borde a la canasta con los ocho pernos M5 de 0.8 mm x 10 mm. Primero afloje todos los pernos antes de apretarlos. Apriete los pernos a razón de 20 pulgadas-libra en la secuencia que se muestra a continuación.



Retire los pasadores de alineación de la bobina de voz del motor.



# Contenu

---

Présentation ..... 47

Spécifications ..... 48

Installation ..... 49

Configuration du câblage ..... 49

Remarques relatives à la construction  
de boîtiers ..... 51

Enceintes aérées ..... 54

Kit de remembranage ..... 55

Garantía | Garantie ..... 88

# Présentation

---

## **IMPORTANTE MISE EN GARDE POUR LA SÉCURITÉ**

UNE UTILISATION CONTINUE ET PROLONGÉE D'UN AMPLIFICATEUR, D'UN HAUT-PARLEUR OU D'UN CAISSON DE GRAVES AVEC UN SON DISTORDU, ÉCRÊTÉ OU EXCESSIF PEUT FAIRE SURCHAUFFER VOTRE SYSTÈME AUDIO, QUI RISQUE DE PRENDRE FEU ET DE CAUSER DE SÉRIEUX DÉGÂTS À VOS COMPOSANTS ET/OU VOTRE VÉHICULE. LES AMPLIFICATEURS REQUIÈRENT UN ÉVENT D'AÉRATION JUSQU'À 10 CM (4 POUCES). LES CAISSONS DE GRAVES DOIVENT ÊTRE MONTÉS AVEC AU MOINS 5 CM (2 POUCE) D'ÉCART ENTRE L'AVANT DU HAUT-PARLEUR ET TOUTE SURFACE. LES PRODUITS KICKER SONT CAPABLES DE PRODUIRE DES NIVEAUX SONORES POUVANT ENDOMMAGER VOTRE AUDITION DE MANIÈRE IRRÉVERSIBLE ! LE RÉGLAGE D'UN SYSTÈME À UN NIVEAU PRODUISANT UNE DISTORSION AUDIBLE ENDOMMAGE DAVANTAGE L'AUDITION QUE L'ÉCOUTE D'UN SYSTÈME SANS DISTORSION AU MÊME VOLUME. LE SEUIL DE LA DOULEUR INDIQUE TOUJOURS QUE LE NIVEAU SONORE EST TROP ÉLEVÉ ET POURRAIT ENDOMMAGER VOTRE AUDITION DE MANIÈRE IRRÉVERSIBLE. VEUILLEZ RÉGLER LE VOLUME SONORE EN FAISANT PREUVE DE BON SENS.

Le L7X réinvente la structure de moteur et la puissance admissible massives de la légendaire gamme de caissons de graves L7 SoloX de KICKER avec les concepts d'ingénierie, de matériaux et de design les plus modernes. Si vous recherchez ce qui se fait de mieux en matière de performances SPL et de basses profondes, ne cherchez pas plus loin : découvrez la célèbre gamme de caissons de graves primée de KICKER. Et n'oubliez pas que le haut-parleur ne représente que la moitié de l'équation. Sans l'immense puissance nécessaire pour faire fonctionner ces caissons de graves, vous vous exposez à des problèmes. Utilisez ces caissons de graves avec nos amplificateurs Warhorse haute puissance pour écraser la concurrence et disposer de toutes les basses fréquences que vous recherchez !

# Spécifications

	<b>L7X10</b>	<b>L7X12</b>	<b>L7X15</b>
Haut-parleur de graves [po, mm]	10, 25	12, 30	15, 38
Puissance d'amplificateur recommandée [W RMS]	1 000-2 000	1 000-2 000	1 000-2 000
Réponse en fréquence [Hz]	25-100	20-100	20-100
Diamètre de l'aimant [po, cm]	8 11/16, 22	8 11/16, 22	8 11/16, 22
Poids total de l'aimant [once, kg]	406, 11,5	406, 11,5	406, 11,5
Diamètre de la bobine mobile [po, mm]	3, 75	3, 75	3, 75
Largeur d'enroulement de la bobine mobile [po, mm]	2,5, 62,5	2,5, 62,5	2,5, 62,5
Épaisseur de la plaque supérieure [po, mm]	0,5, 12	0,5, 12	0,5, 12
Impédance nominale [ $\Omega$ ]	1 ou 2	1 ou 2	1 ou 2
Xmax (excursion linéaire) [mm]	1,25, 31,25	1,25, 31,25	1,25, 31,25
Découpe de montage [po, cm]	9-5/16, 23,7	11-1/16, 28,1	13-3/4, 34,9
Profondeur de montage [po, cm]	9-7/16, 24	10-1/8, 25,7	11-9/16, 29,3

**Remarque :** toutes les spécifications et valeurs de performance sont sujettes à modification. Veuillez vous rendre sur **[www.kicker.com](http://www.kicker.com)** pour les informations les plus récentes. Pour tirer les meilleures performances de vos nouveaux haut-parleurs KICKER, nous vous recommandons d'utiliser des accessoires et du câblage KICKER authentiques. Veuillez laisser deux semaines de rodage aux haut-parleurs afin de leur permettre d'atteindre leurs performances optimales.

**Astuce de pro :** il ne vous manque plus qu'un amplificateur KICKER et quelques câbles pour bénéficier d'une mise à niveau totale de votre installation, qui surpassera tout système d'origine ! Avec la gamme d'amplificateurs KICKER, il devient facile de doter votre source d'origine ou existante de basses surpuissantes. Demandez également à votre distributeur de vous parler des améliorations que constituent les haut-parleurs KICKER.



# Installation

---

## Configuration du câblage

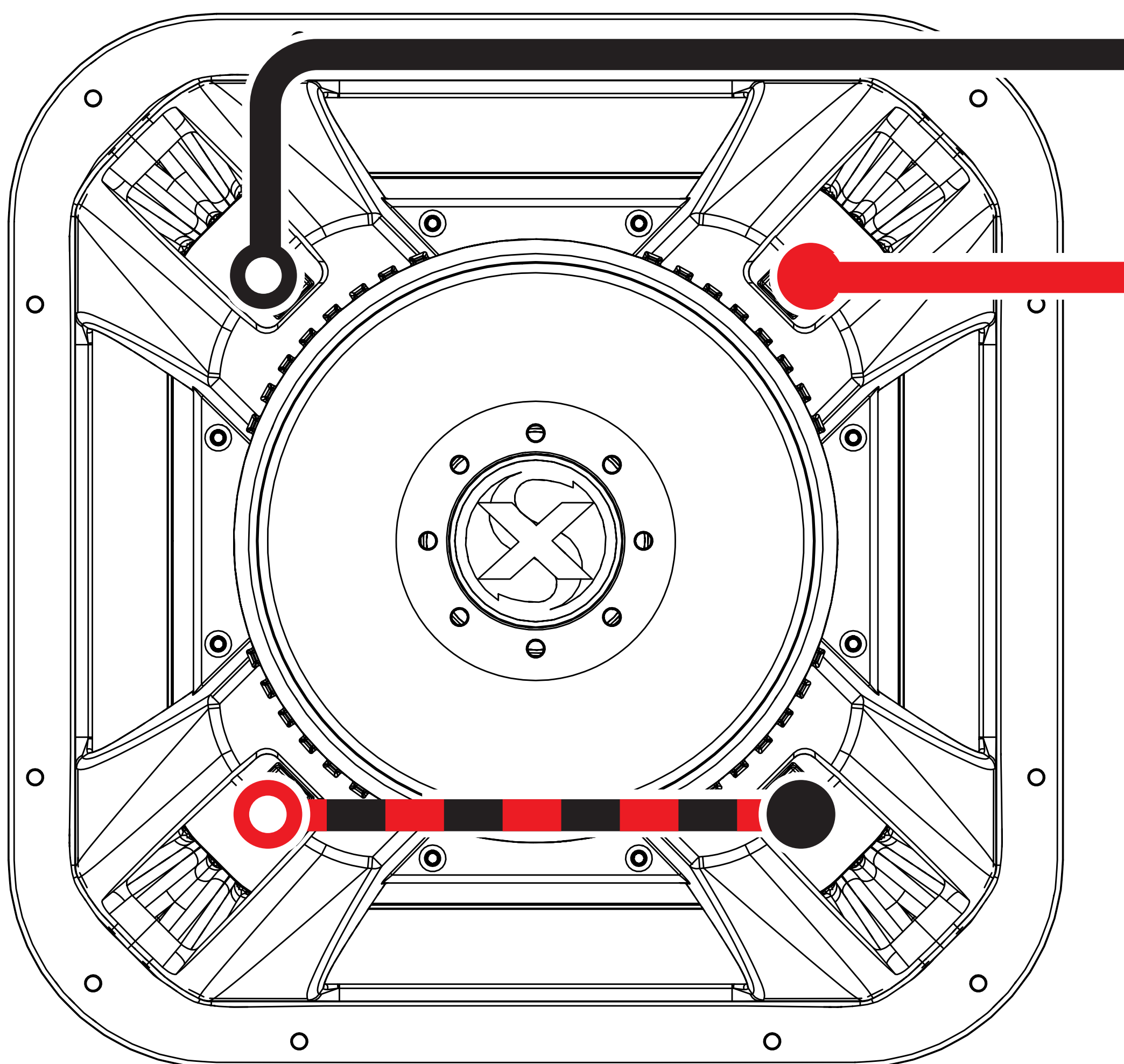
Les caissons de graves de la série L7X sont composés de doubles bobines mobiles de  $1 \Omega$  ou  $2 \Omega$ . Les deux bobines doivent être connectées à une source d'amplification. Les bobines mobiles doubles de  $1 \Omega$  fourniront une charge de  $0,5 \Omega$  câblée en parallèle ou une charge de  $2 \Omega$  câblée en série. Les bobines mobiles doubles de  $2 \Omega$  fourniront une charge de  $1 \Omega$  câblée en parallèle ou une charge de  $4 \Omega$  câblée en série. **Assurez-vous que l'impédance de votre source ou amplificateur est compatible avec la charge ohm adéquate pour le fonctionnement.**

Le câble du caisson de graves doit être maintenu à distance des bords tranchants et éviter tout risque de pincement par le coffre. S'il n'y a pas de passe-câble et de trou d'usine, ou s'ils sont inaccessibles, vous devrez percer un trou pour faire courir le câble. Faites attention à ne pas percer un autre câble ou un mécanisme existant. Chaque fois qu'un câble est passé à travers un trou, il est nécessaire d'insérer un passe-câble en plastique ou en caoutchouc pour protéger le câble des dégâts.

## Câblage en série

Bobines mobiles doubles de  $1 \Omega$  = charge de  $2 \Omega$

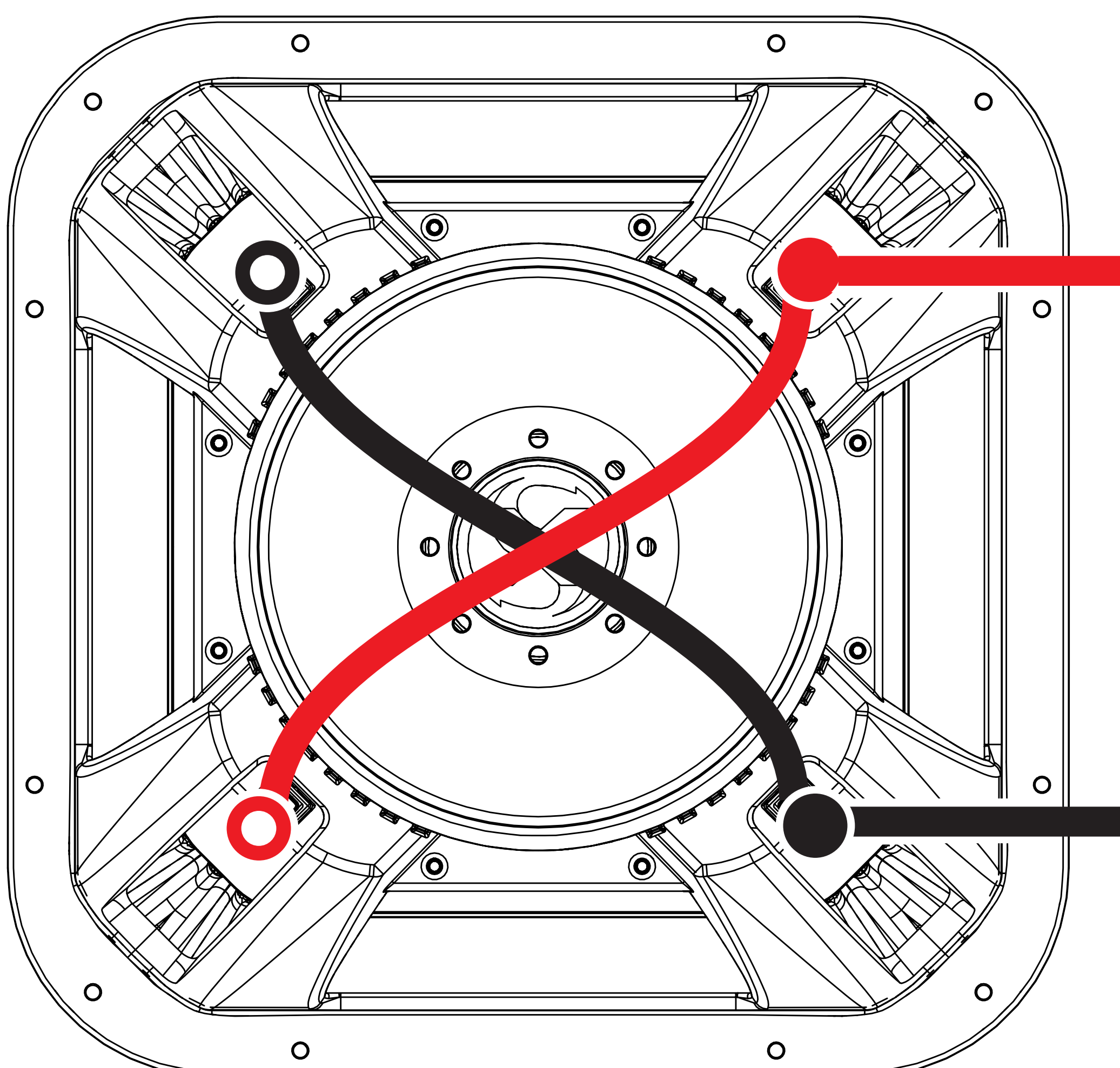
Bobines mobiles doubles de  $2 \Omega$  = charge de  $4 \Omega$



## Câblage en parallèle

Bobines mobiles doubles de  $1 \Omega$  = charge de  $0,5 \Omega$

Bobines mobiles doubles de  $2 \Omega$  = charge de  $1 \Omega$

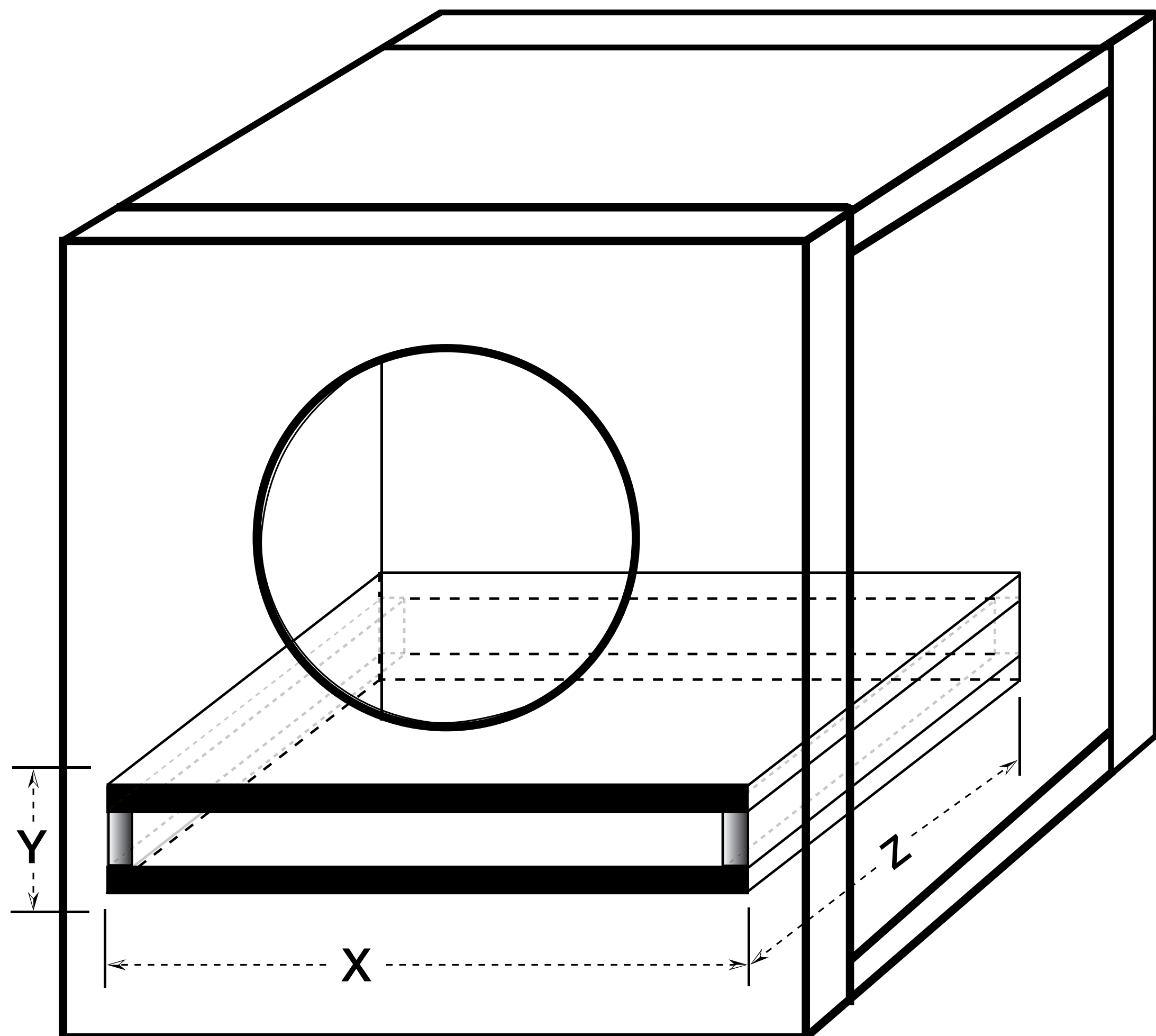


# Remarques relatives à la construction de boîtiers

KICKER recommande d'utiliser des vis de montage M5 ou de 10 mm avec des écrous en T. Utilisez du MDF (panneau de fibres à densité moyenne) ou contreplaqué de bouleau d'une épaisseur de 3/4" (1,9 cm) ou plus épais et scellez les joints avec du silicone. Utilisez le « modèle » se trouvant dans le carton d'envoi de votre caisson de graves L7X pour marquer le trou de montage, puis coupez directement sur la ligne. Ces conceptions requièrent un renfort interne. Ajoutez un renfort triangulaire entre chacun des panneaux non soutenus de plus grande taille.

Pour les enceintes aérées, le déplacement du port doit être calculé et ajouté au volume interne de la conception finale. Utilisez les dimensions extérieures du port et réalisez la multiplication «  $X \times Y \times Z$  » puis convertissez en pieds cubes.

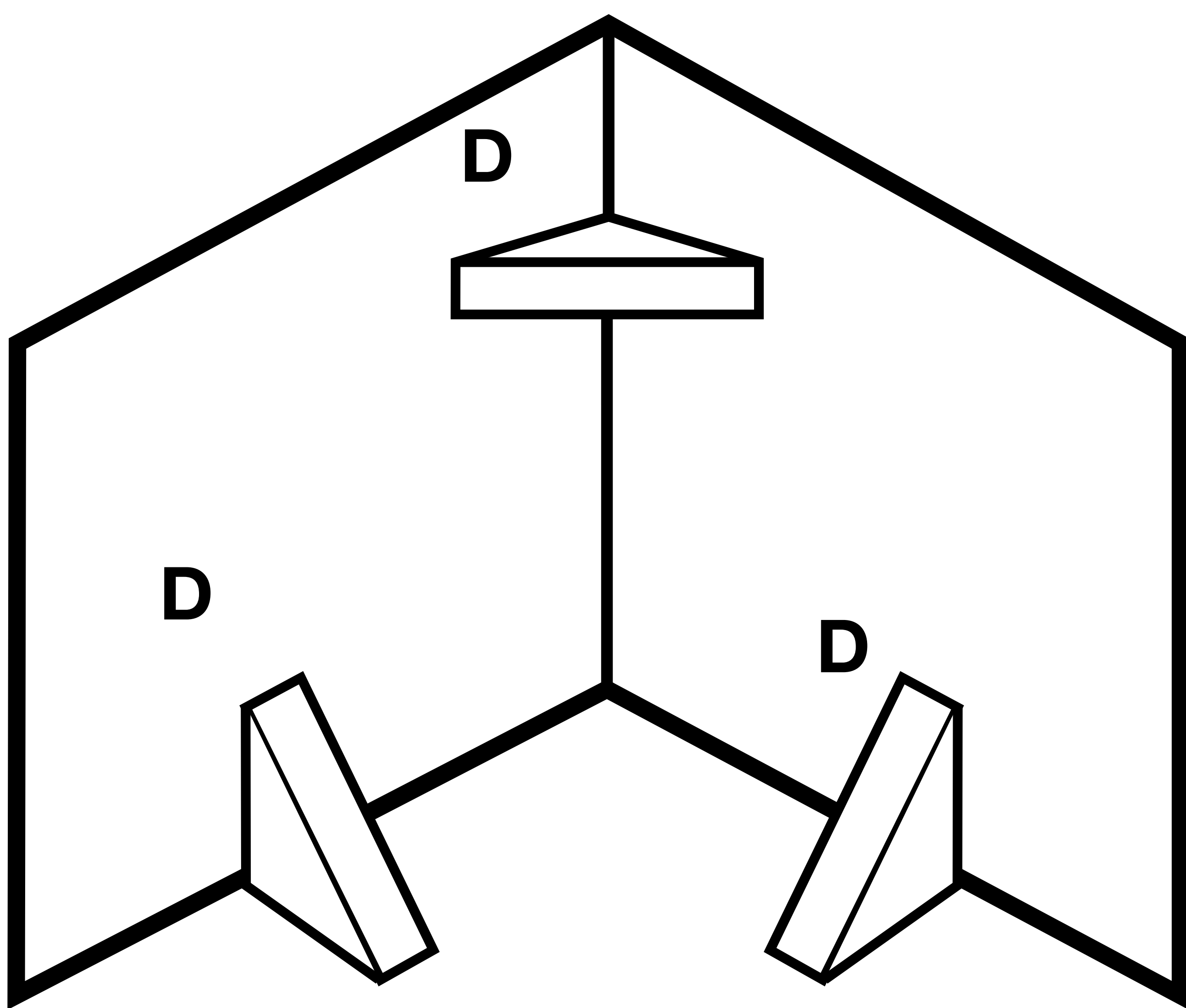
En raison de la longueur nécessaire de ces ports, vous pouvez plier le port le long des parois arrière et du bas. L'emploi de ports ronds pour ces conceptions ne sera pas pratique.



N'installez pas d'ouverture de port contre une surface solide, comme un support interne, un panneau arrière ou une paroi du coffre, un siège ou un panneau intérieur de votre véhicule. L'ouverture du port doit rester dégagée. Utilisez la plus petite dimension du port rectangulaire comme quantité d'espace minimum entre l'ouverture du port et toute surface solide pour assurer la circulation d'air sans restriction.

Vous pouvez emplir votre enceinte de ouate de rembourrage en vrac. Les conceptions portées nécessiteront de couvrir l'extrémité du port (se trouvant à l'intérieur du boîtier) avec du tissu en maille, du grillage, ou du métal déployé afin d'éviter que la ouate ne sorte par le port. L'utilisation de ouate diminuera légèrement l'efficacité, mais approfondira et étendra la sortie basse fréquence en donnant l'impression que votre caisson de basses se situe dans un boîtier plus grand.

Ajoutez un renfort triangulaire entre chacun des panneaux non soutenus de plus grande taille. La baffle de montage doit être le double de la cloison de 3/4".



**L7X12, L7X15 : D = 3" x 3" (8 cm x 8 cm)**

**L7X10 : D = 2" x 2" (5 cm x 5 cm)**

Pour plus de conseils sur la construction de boîtiers, consultez votre revendeur Kicker agréé, ou cliquez sur l'onglet Support de la page d'accueil de Kicker, **[www.kicker.com](http://www.kicker.com)**.

Veillez envoyer un e-mail à l'adresse [support@kicker.com](mailto:support@kicker.com) ou appeler l'assistance technique au (405) 624-8583 pour des questions particulières ou sans réponse.

# Enceintes aérées

Les caissons de graves L7X supporteront des quantités massives de puissance. Les enceintes aérées augmentent l'efficacité des basses et ont une sortie nettement supérieure entre 30 et 80 Hz. La sortie sera considérablement plus élevée que celle de n'importe quel boîtier étanche. N'oubliez pas d'ajouter le déplacement du subwoofer au volume interne de la conception finale.

	<b>L7X10</b>	<b>L7X12</b>	<b>L7X15</b>
Volume recommandé du boîtier aéré ft <sup>3</sup> [L]	2, [56,6]	3, [84,9]	5, [141,6]
Ouverture du port, po x po [cm x cm]	2,5 X 12,25 [6 X 31]	3,5 X 13 [9 X 33]	4,25 X 16,5 [11 X 42]
Longueur du port, po [cm]	38,5, [98]	36,5, [93]	34,75, [88]
Fréquence d'accord (Hz)	31	31	30
Déplacement du caisson de basses ft <sup>3</sup> [L]	0,18 [5,09]	0,19 [5,38]	0,21 [5,94]

# Kit de remembranage

Le L7X a été conçu pour une utilisation en compétition et, comme il n'y a pas de colle utilisée dans le processus de remembranage, le cône peut être remplacé en quelques minutes en cas de défaillance sur le terrain.

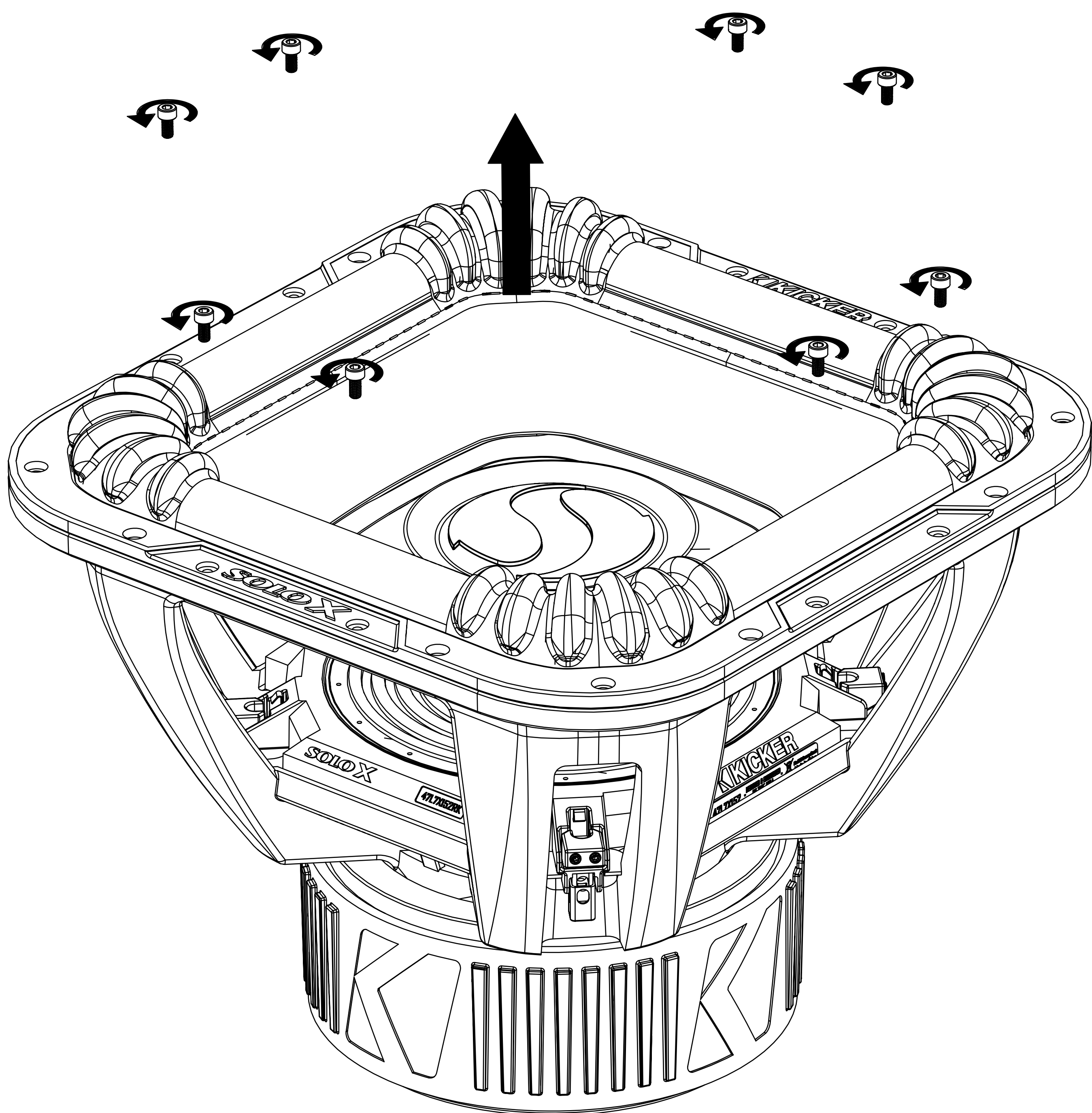
Le kit de remembranage est composé d'un cône, d'un surround (anneau flexible) et d'une bobine mobile pré-assemblés qui seront boulonnés dans le moteur et l'ensemble saladier (basket) du L7X. Il peut être acheté sur le site Web de KICKER [ici](#). N'essayez **PAS** d'utiliser des kits de remembranage de l'impédance alternatifs lorsque vous reconstruisez le caisson de basses. Par exemple, utilisez uniquement le kit de remembranage de 1 ohm dans la structure de caisson de basses L7X 1 ohm.

Suivez les étapes suivantes pour reconstruire le L7X.

*N'utilisez pas d'outils électriques pour cette opération ! L'aimant du L7X est extrêmement puissant et peut provoquer des blessures ou des dommages. Soyez prudent(e) lorsque vous êtes à proximité d'objets contenant des matériaux magnétiques.*

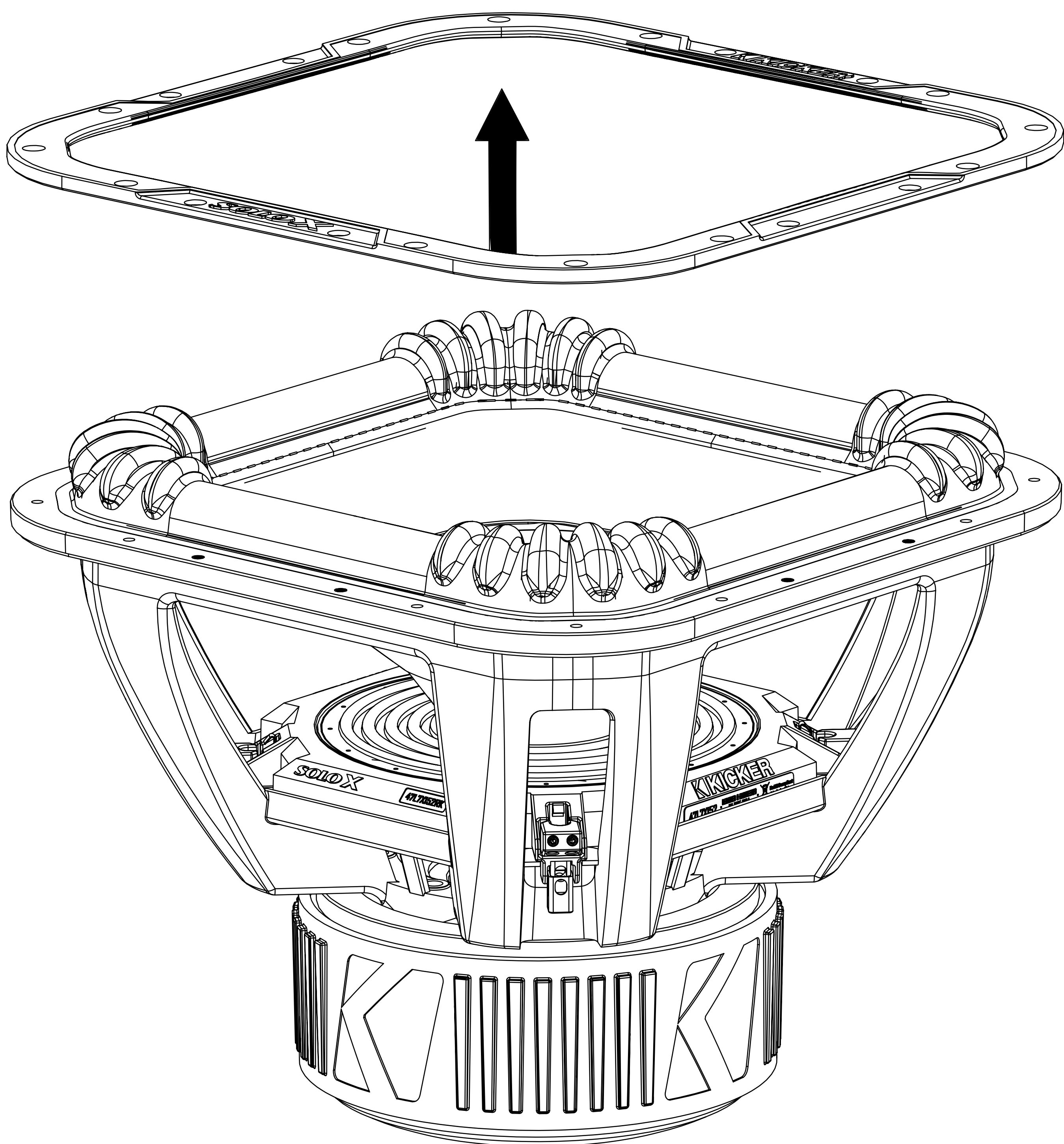
Commencez par retirer le caisson de graves de son emplacement de montage et débranchez tous les câbles.

À l'aide d'une clé Allen de 4 mm, retirez les huit boulons M5 x 0,8 x 10 mm qui maintiennent la bride de fixation du surround à l'ensemble saladier.

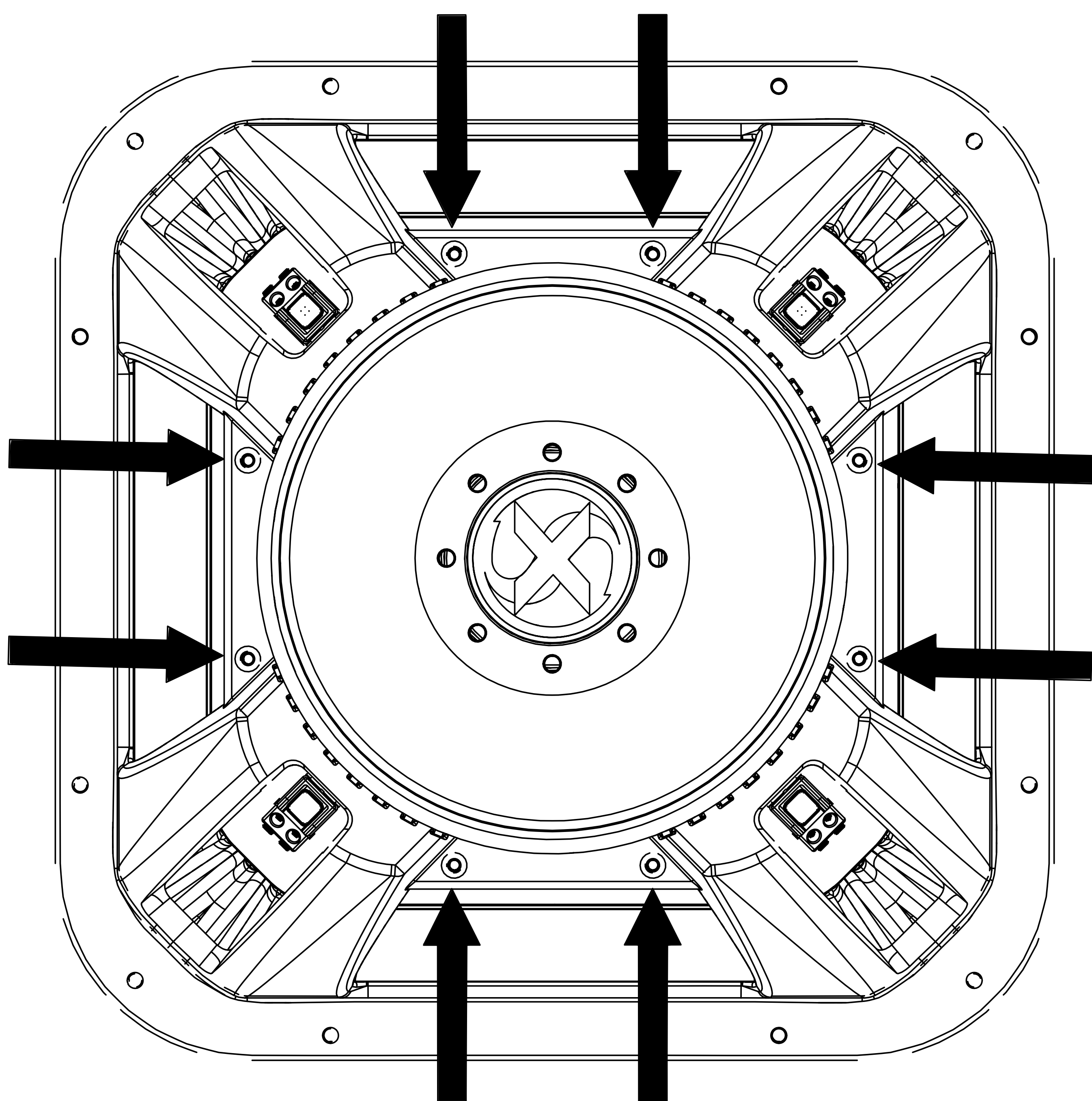




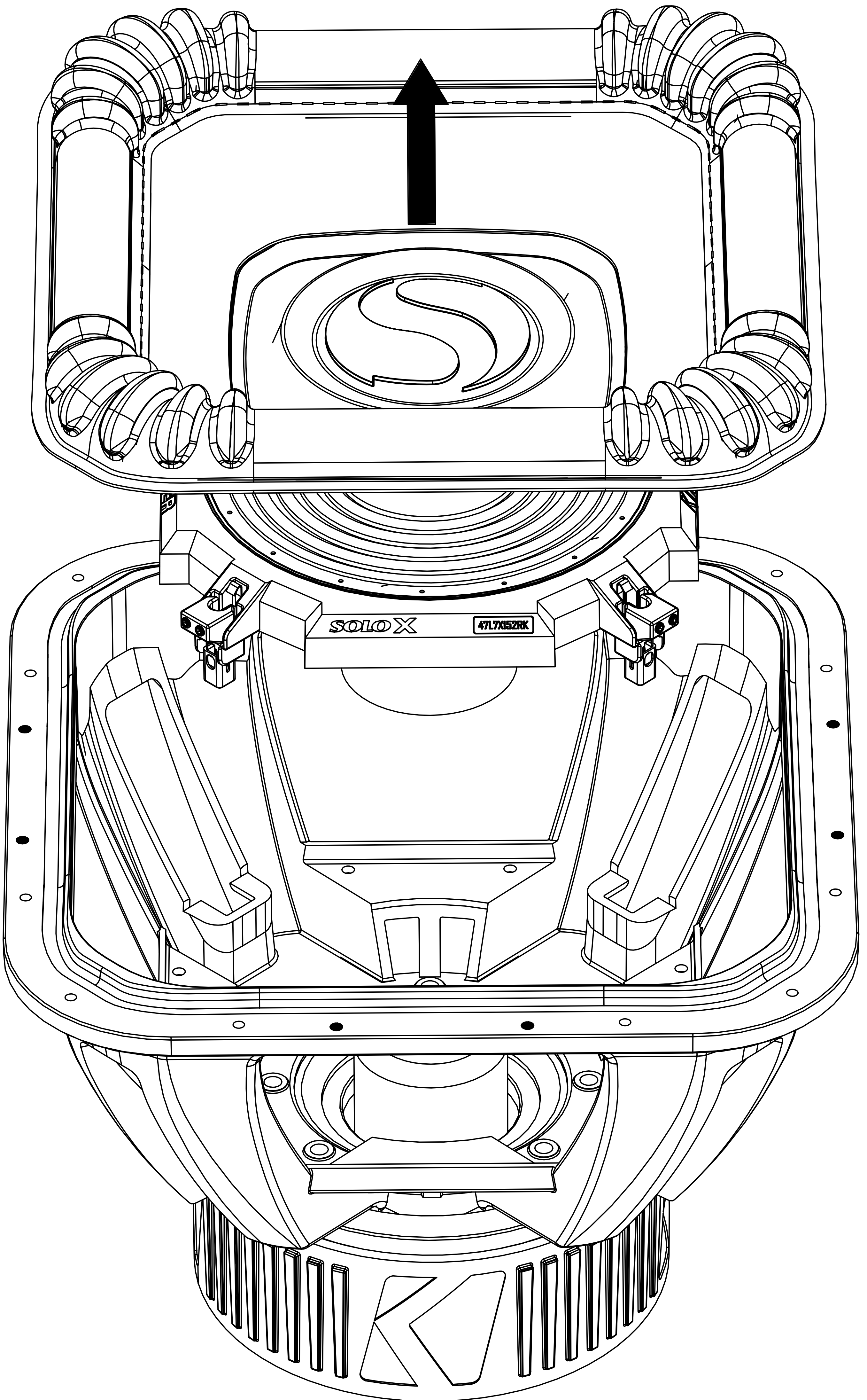
Retirez la bride de fixation du surround du saladier.



À partir du côté de l'aimant (en bas) de l'ensemble saladier, utilisez une clé Allen de 4 mm pour retirer les huit boulons M5 x 0,8 x 16 mm qui fixent le spider (suspension arrière) à l'ensemble saladier.

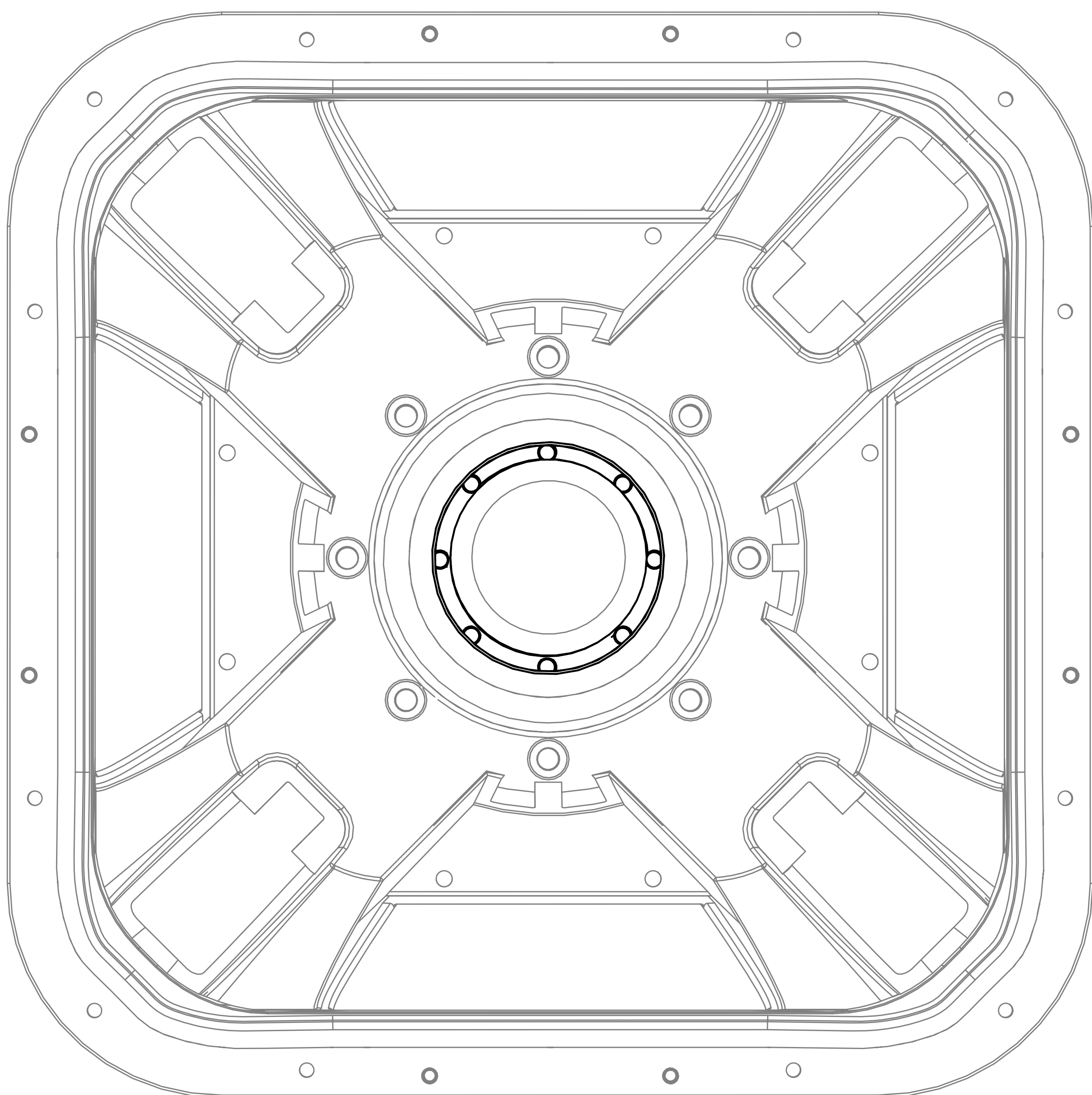


À partir du côté du cône (haut) de l'ensemble saladier, retirez l'ensemble cône de l'ensemble saladier.



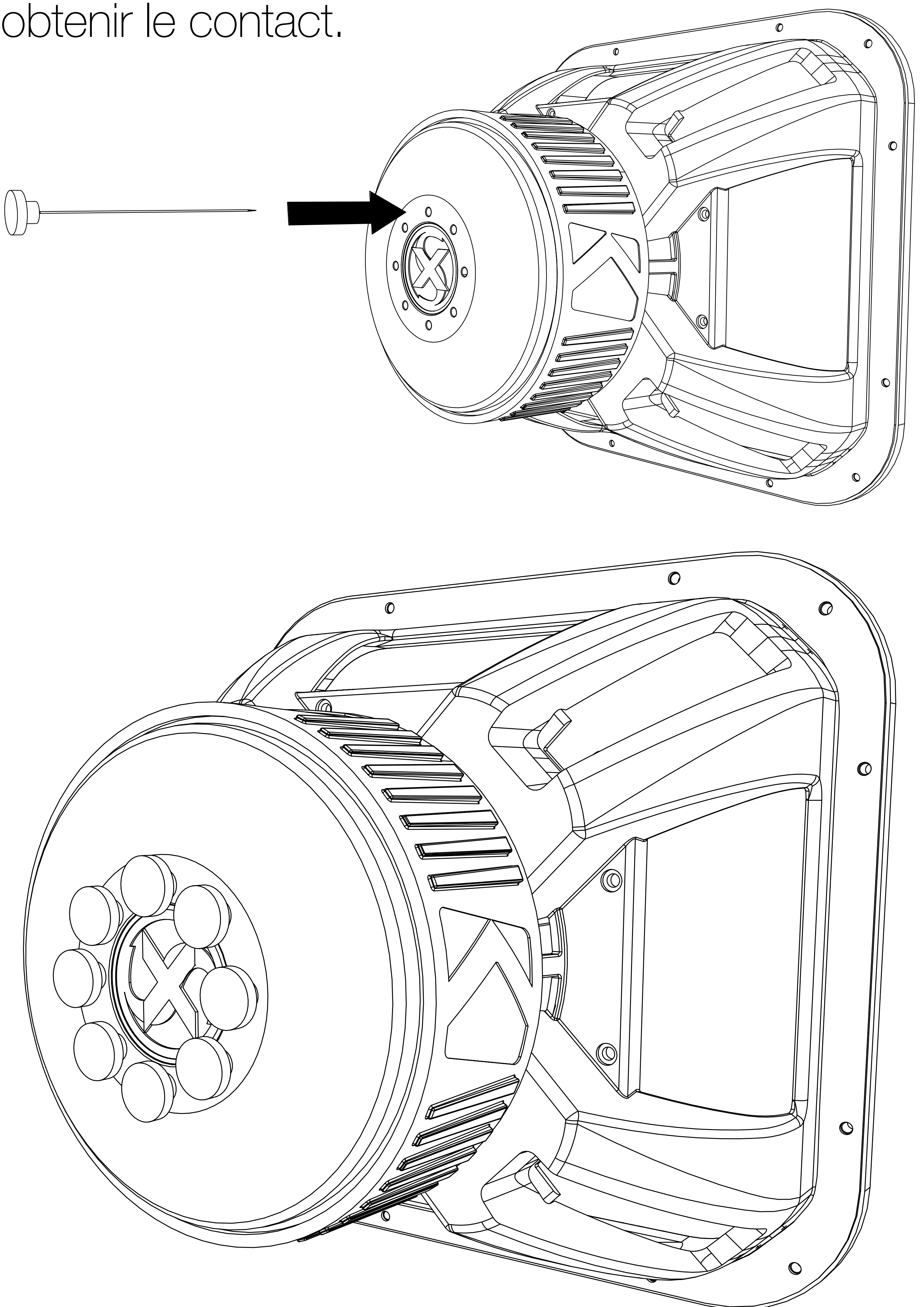
Nettoyez et éliminez tous les débris de l'entrefer de la bobine mobile.

*REMARQUE : l'aimant du L7X est extrêmement puissant. Ne laissez pas tomber d'objets contenant des matériaux magnétiques dans l'espace de la bobine mobile. Ces objets peuvent rester coincés, rendant le caisson de graves inutilisable.*



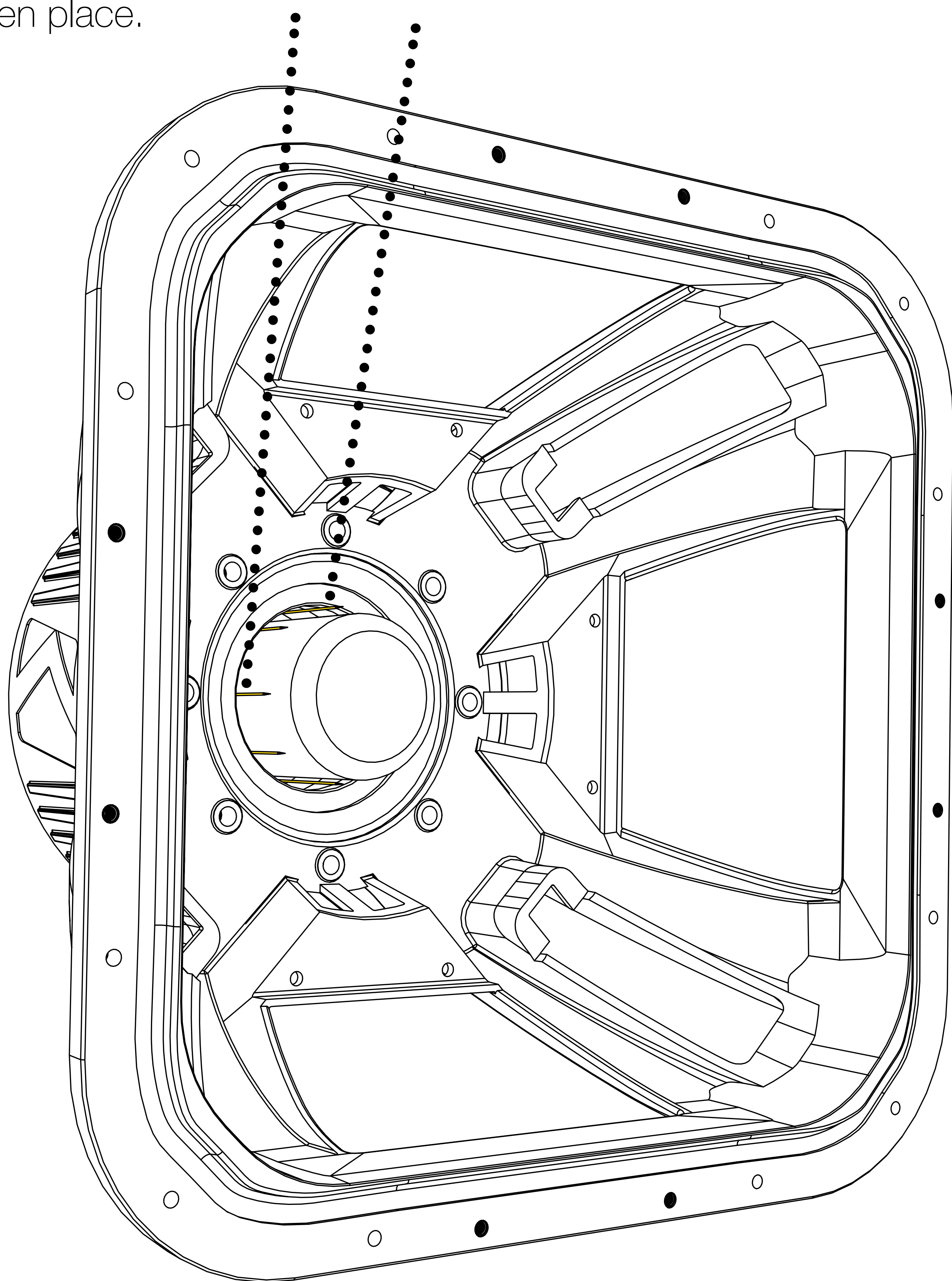
*AVERTISSEMENT ! Les goupilles d'alignement de la bobine mobile sont très tranchantes et peuvent provoquer des blessures graves, voire mortelles, si elles ne sont pas manipulées correctement. Manipulez-les avec précaution.*

L'ensemble saladier étant couché sur le côté, insérez une goupille d'alignement de la bobine mobile dans chacun des huit trous du moteur du caisson de graves. La tête de la goupille doit être en contact avec le moteur. Il peut être nécessaire de faire preuve de délicatesse pour obtenir le contact.

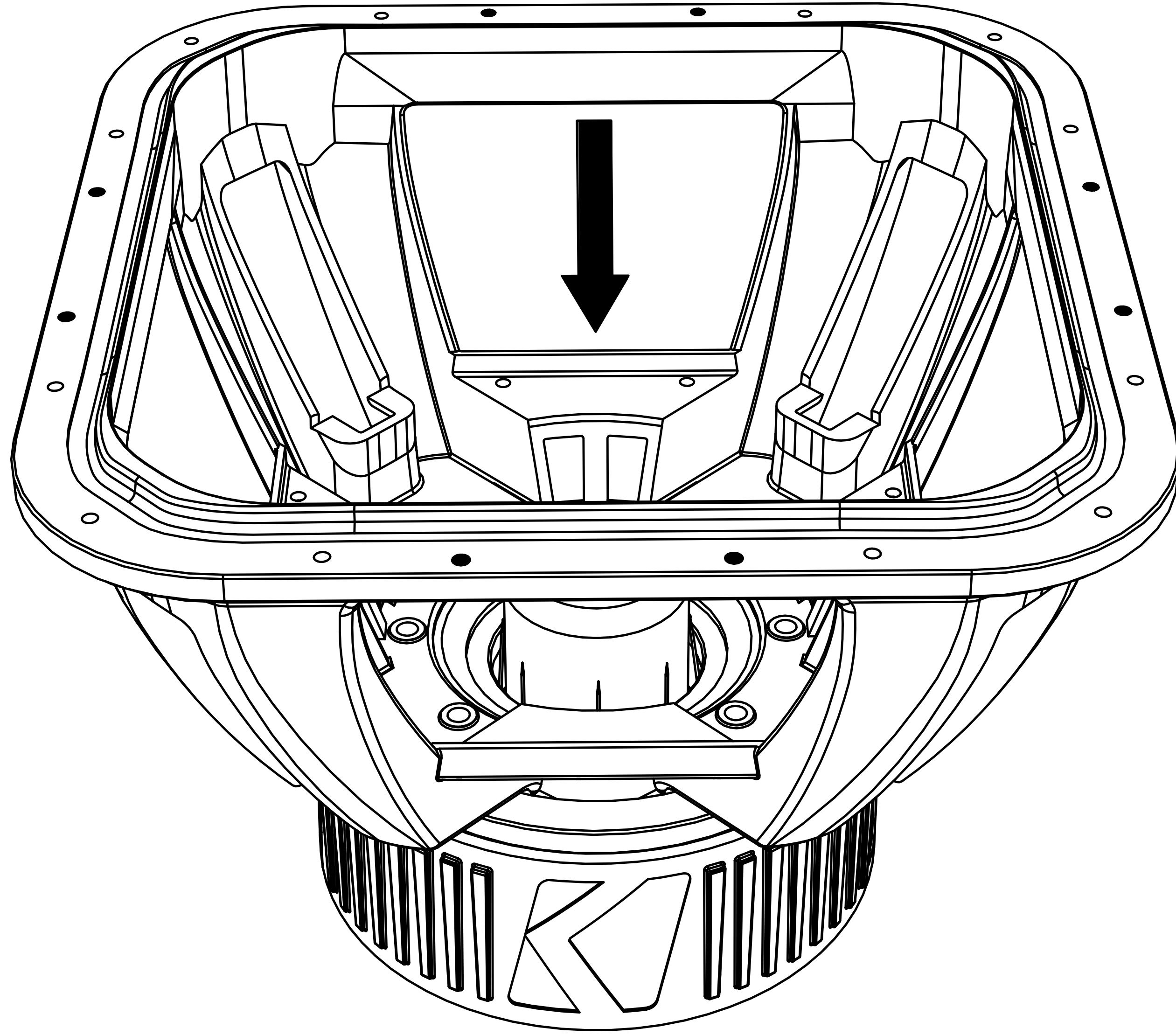
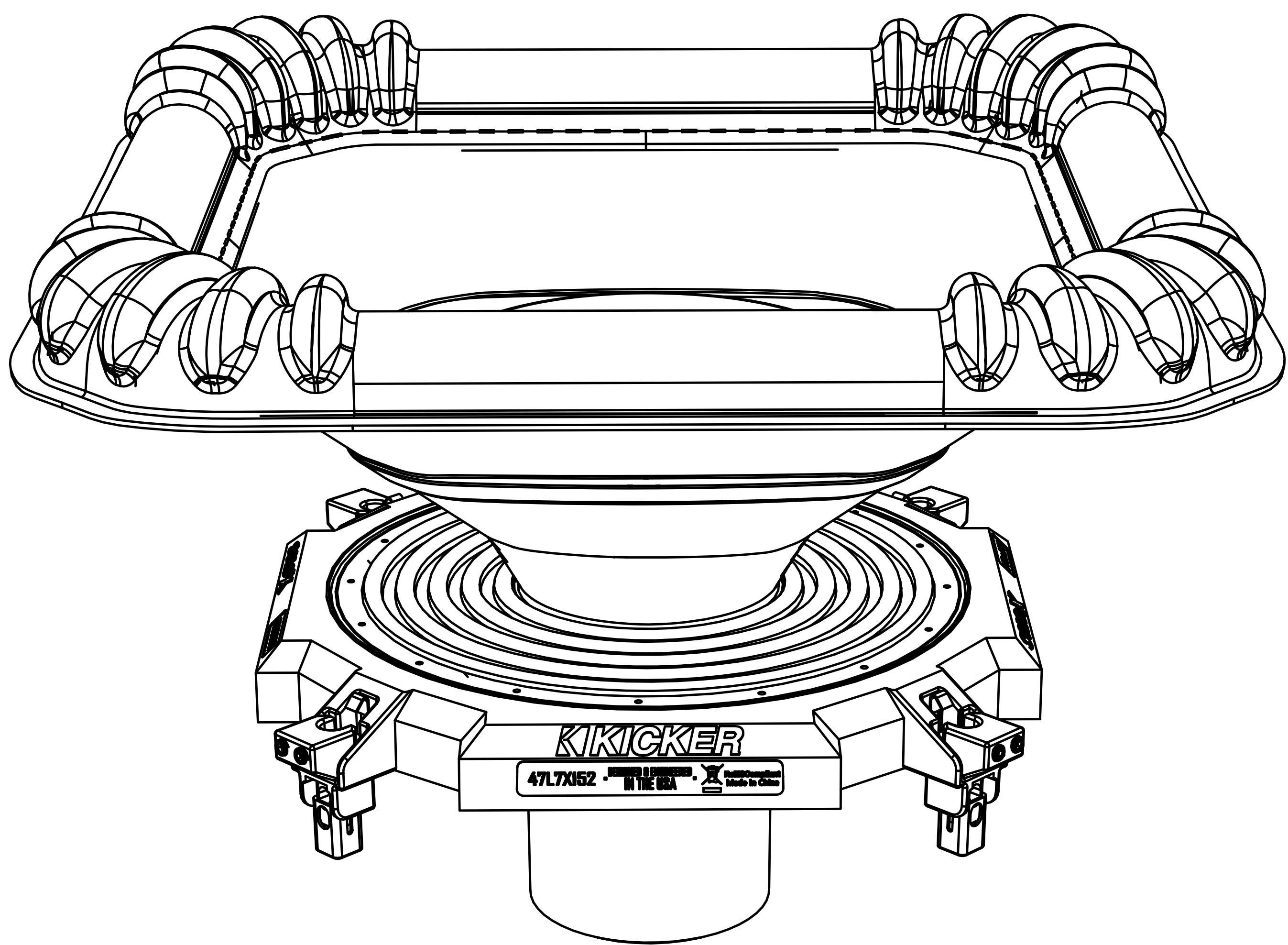


Une fois que toutes les goupilles d'alignement de la bobine mobile sont insérées, poussez les goupilles vers le pôle magnétique jusqu'à ce que celles-ci soient maintenues magnétiquement sur le pôle. Espacez les goupilles uniformément autour du pôle.

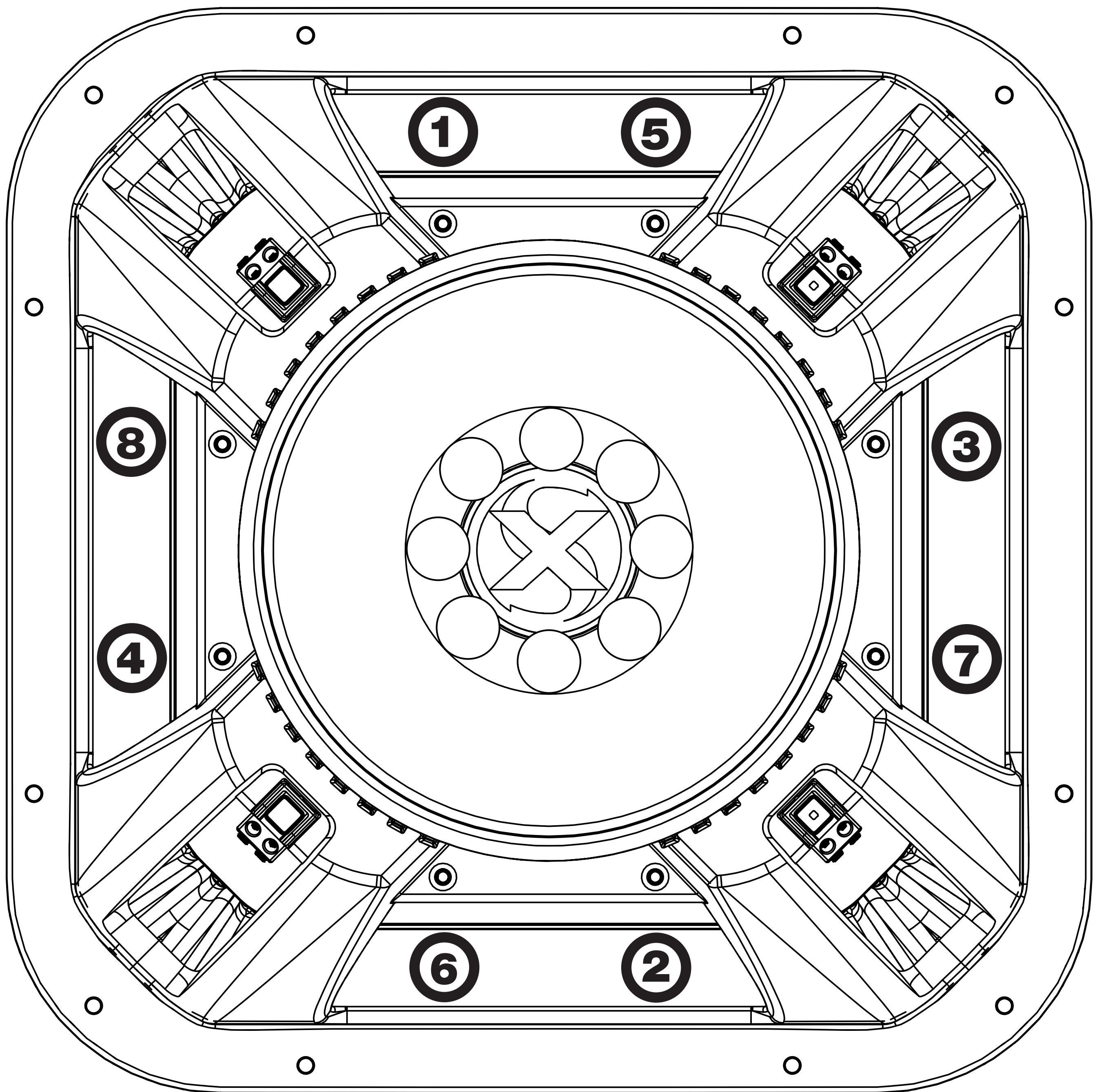
Poussez les extrémités des 8 goupilles vers le pôle magnétique au milieu jusqu'à ce qu'elles soient maintenues en place.



L'ensemble saladier étant toujours couché sur le côté, insérez le nouveau cône dans l'ensemble saladier. Veillez à ce que les goupilles soient placées à l'intérieur de la bobine mobile, de manière à ce que cette dernière puisse glisser en douceur sur le pôle magnétique.

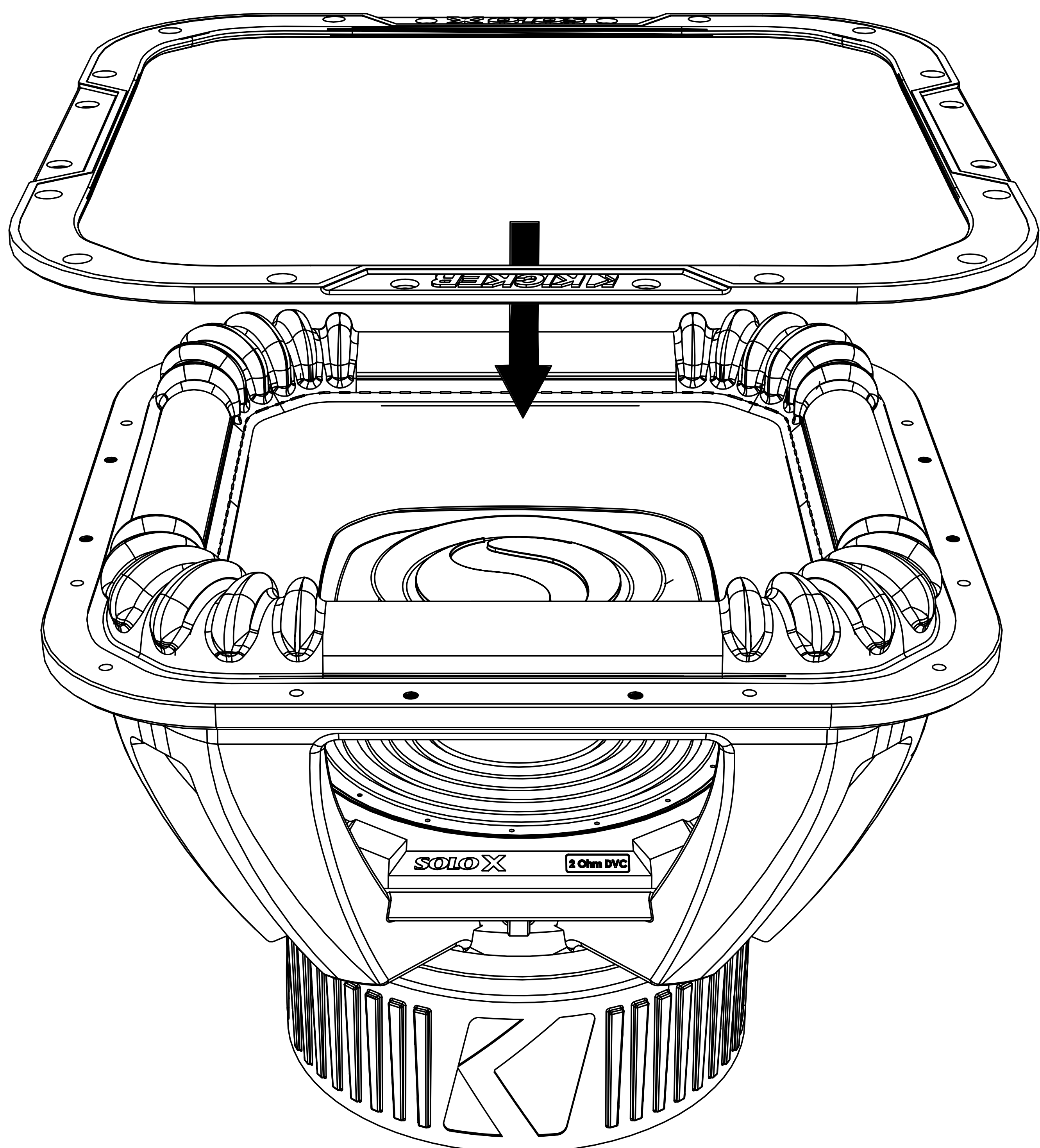


Fixez le spider à l'ensemble saladier à l'aide des huit boulons M5 x 0,8 x 16 mm. Commencez par desserrer tous les boulons avant de les serrer. Serrez les boulons à un couple de 20 po-lb dans l'ordre indiqué ci-dessous.

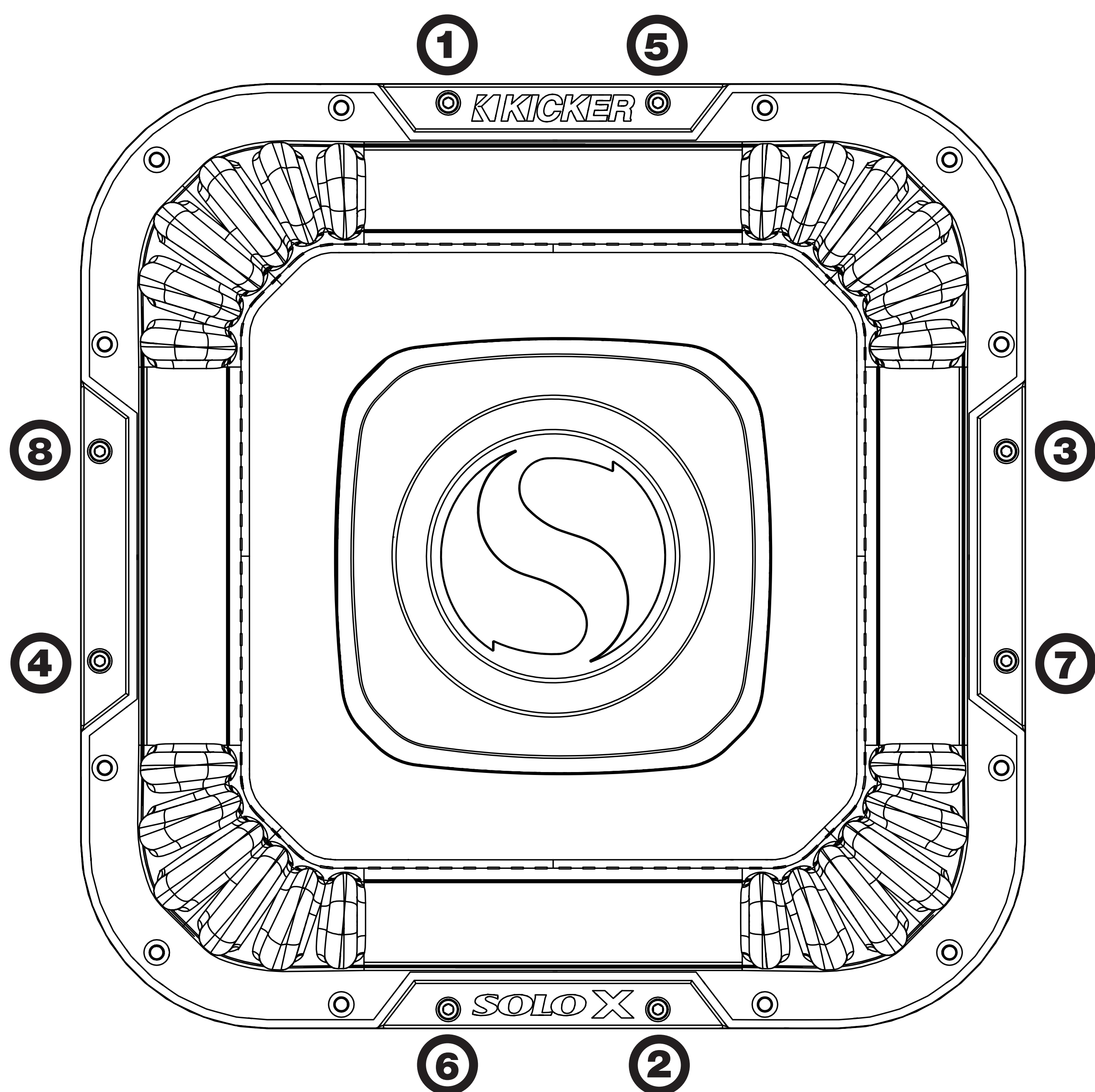




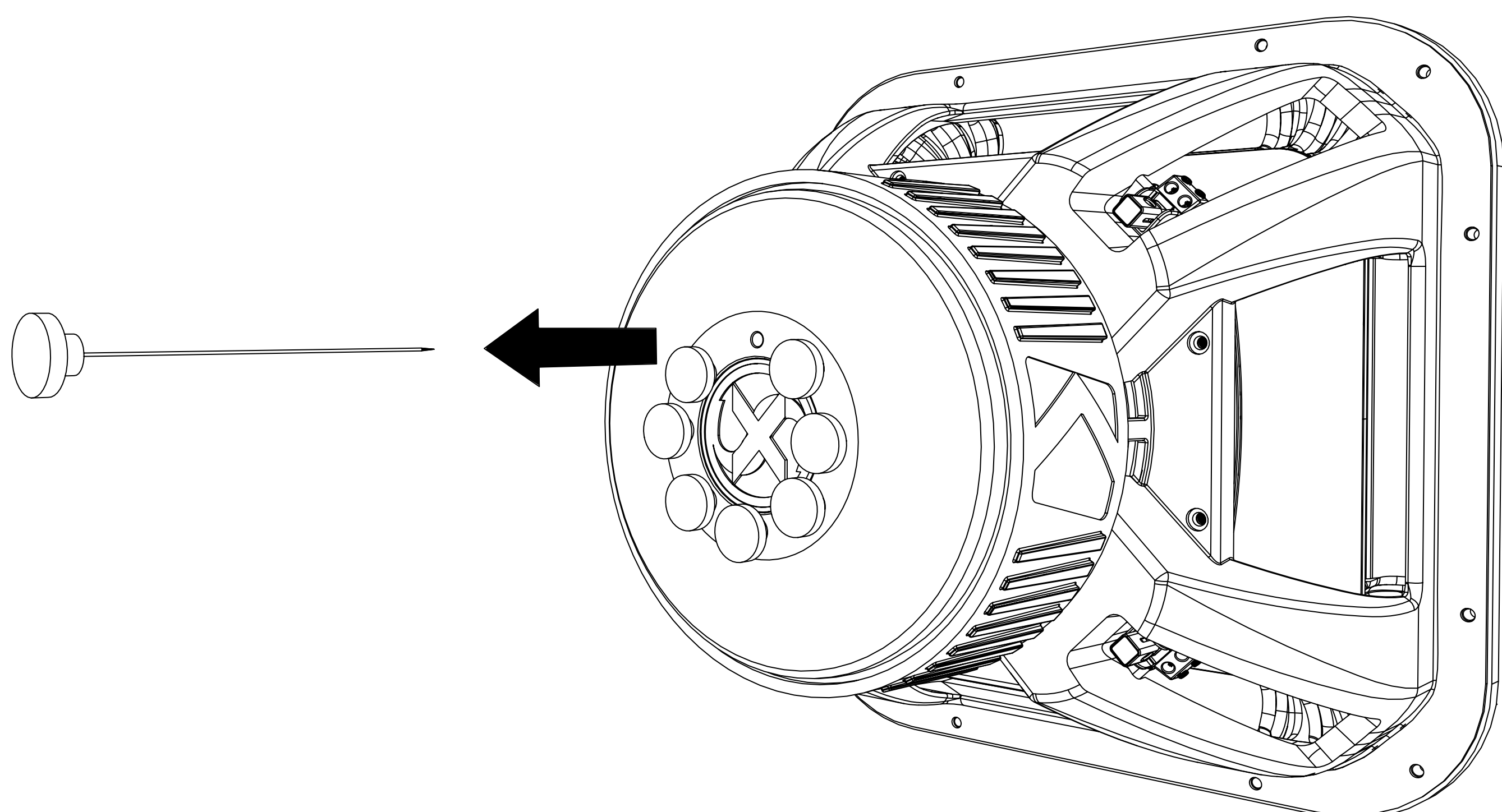
Retournez l'enceinte et installez la bride de fixation du surround sur le surround.



Fixez la bride de fixation du surround au saladier avec les huit boulons M5 x 0,8 x 10 mm. Commencez par desserrer tous les boulons avant de les serrer. Serrez les boulons à un couple de 20 po-lb dans l'ordre indiqué ci-dessous.



Retirez les goupilles d'alignement de la bobine mobile du moteur.



# Inhalt

---

Übersicht .....	68
Spezifikationen .....	69
Installation .....	70
Konfiguration der Verkabelung	70
Hinweise für die Box-Konstruktion	72
Belüftete Gehäuse .....	75
Re-Cone Kit .....	76
Garantía   Garantie .....	88

# Übersicht

---

## **WICHTIGER SICHERHEITSHINWEIS**

LÄNGERER DAUERBETRIEB EINES VERSTÄRKERS, LAUTSPRECHERS ODER SUBWOOFERS IN VERZERRTER, BESCHNITTENER ODER ÜBERSTEUERTER FORM KANN ZU EINER ÜBERHITZUNG IHRES AUDIOSYSTEMS FÜHREN, DAS MÖGLICHERWEISE FEUER FÄNGT UND ZU SCHWEREN SCHÄDEN AN IHREN KOMPONENTEN UND/ODER IHREM FAHRZEUG FÜHRT. VERSTÄRKER BENÖTIGEN BIS ZU 10 CM (4 ZOLL) OFFENE BELÜFTUNG. SUBWOOFER SOLLTEN MIT EINEM ABSTAND VON MINDESTENS 5 CM (2 ZOLL) ZWISCHEN DER VORDERSEITE DES LAUTSPRECHERS UND EINER OBERFLÄCHE MONTIERT WERDEN. KICKER-PRODUKTE SIND IN DER LAGE, SCHALLPEGEL ZU ERZEUGEN, DIE IHR GEHÖR DAUERHAFT SCHÄDIGEN KÖNNEN! WENN SIE EIN SYSTEM AUF EINEN PEGEL AUFDREHEN, DER HÖRBARE VERZERRUNGEN AUFWEIST, SCHADET DIES IHREN OHREN MEHR ALS WENN SIE EIN UNVERZERRTES SYSTEM MIT DERSELBEN LAUTSTÄRKE HÖREN. DIE SCHMERZGRENZE IST IMMER EIN INDIKATOR DAFÜR, DASS DER SCHALLPEGEL ZU LAUT IST UND IHR GEHÖR DAUERHAFT SCHÄDIGEN KANN. BITTE BENUTZEN SIE BEIM EINSTELLEN DER LAUTSTÄRKE IHREN GESUNDEN MENSCHENVERSTAND.

Der L7X ist eine Neuinterpretation der massiven Leistung und des Antriebs der legendären L7 SoloX-Subwoofer von KICKER mit den modernsten Konstruktions-, Material- und Designkonzepten. Wenn Sie die absolut beste SPL-Performance und den tiefsten Bass genießen möchten, dann sind Sie bei KICKERs prämiierter Subwoofer-Premium-Produktreihe genau richtig. Und denken Sie daran, dass der Antrieb nur die eine Hälfte der Gleichung ist. Ohne die enorme Leistung, die für die optimale Performance dieser Subwoofer benötigt wird, würden Sie nur den halben Spaß haben. Verwenden Sie diese Subwoofer mit unseren leistungsstarken Warhorse-Verstärkern, um die konkurrenzlose Tieftonleistung zu erreichen, die Sie erwarten!

# Spezifikationen

	<b>L7X10</b>	<b>L7X12</b>	<b>L7X15</b>
Tieftöner [Zoll, mm]	10, 25	12, 30	15, 38
Empfohlene Verstärkerleistung [Watt RMS]	1000-2000	1000-2000	1000-2000
Frequenzgang [Hz]	25-100	20-100	20-100
Durchmesser Magnet [Zoll; cm]	8 11/16; 22	8 11/16; 22	8 11/16; 22
Gesamtgewicht Magnet [oz; kg]	406; 11,5	406; 11,5	406; 11,5
Durchmesser Schwingspule [Zoll; mm]	3; 75	3; 75	3; 75
Schwingspule Wicklungsbreite [Zoll; mm]	2,5; 62,5	2,5; 62,5	2,5; 62,5
Abdeckung Dicke [Zoll; mm]	0,5; 12	0,5; 12	0,5; 12
Nennimpedanz [ $\Omega$ ]	1 oder 2	1 oder 2	1 oder 2
Xmax (Lineare Auslenkung) [mm]	1,25; 31,25	1,25; 31,25	1,25; 31,25
Montageausschnitt [Zoll; cm]	9-5/16; 23,7	11-1/16; 28,1	13-3/4; 34,9
Montagetiefe [Zoll; cm]	9-7/16; 24	10-1/8; 25,7	11-9/16; 29,3

**Hinweis:** Alle Spezifikationen und Leistungsangaben können sich ändern. Die aktuellsten Informationen finden Sie auf **www.kicker.com**. Um die beste Leistung aus Ihren neuen KICKER-Lautsprechern herauszuholen, empfehlen wir die Verwendung von Original-KICKER-Zubehör und -Kabeln. Damit die Lautsprecher ihre optimale Leistung erreichen, sollten Sie eine Einspielzeit von zwei Wochen einplanen.

**Profi-Tipp:** Ein KICKER-Verstärker und ein paar Kabel genügen, um ein komplettes System-Upgrade zu realisieren, das jedes Werkssystem in den Schatten stellt! Mit den Verstärkern der KICKER-Produktreihe können Sie Ihr vorhandenes oder serienmäßiges Quellgerät problemlos auf solide Bässe aufrüsten. Fragen Sie Ihren Händler auch nach Upgrades für KICKER-Lautsprecher.

# Installation

---

## Konfiguration der Verkabelung

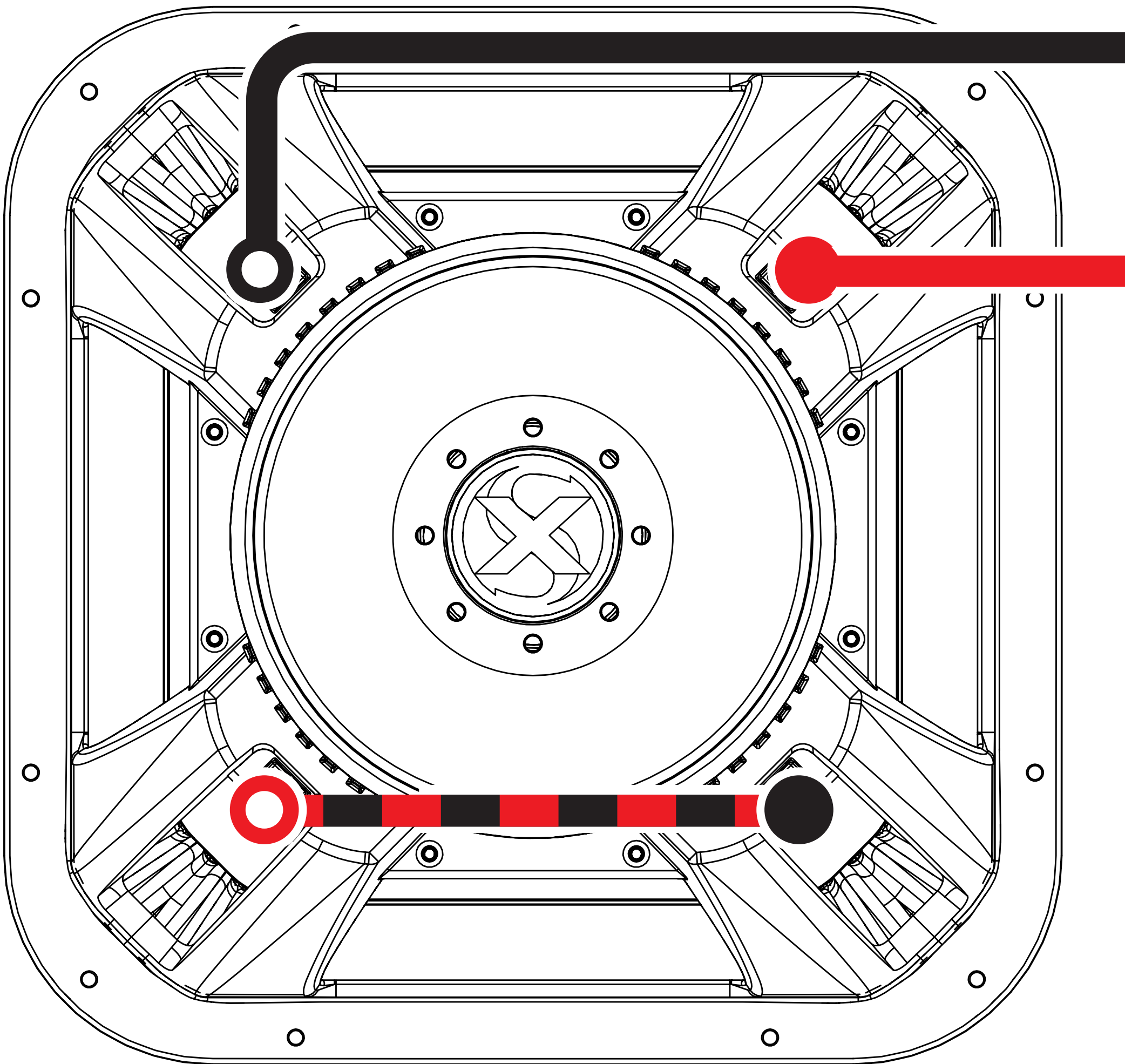
Die Subwoofer der L7X-Series sind mit 1- $\Omega$ - oder 2- $\Omega$ -Doppelschwingspulen ausgestattet. Beide Spulen müssen mit einer Verstärkerquelle verbunden sein. Die 1- $\Omega$ -Doppelschwingspulen liefern parallel verkabelt eine Last von 0,5  $\Omega$ , oder bei serieller Verkabelung 2  $\Omega$ . Die 2- $\Omega$ -Doppelschwingspulen liefern parallel verkabelt eine Last von 1  $\Omega$ , oder bei serieller Verkabelung 4  $\Omega$ . **Vergewissern Sie sich, dass Ihr Quellgerät oder Verstärker für den Betrieb mit der korrekten Ohm-Last ausgelegt ist.**

Das Subwoofer-Kabel sollte von scharfen Kanten ferngehalten und nicht eingeklemmt werden können. Wenn das werkseitige Loch und die Tülle nicht vorhanden oder unzugänglich sind, müssen Sie ein Loch bohren, um das Kabel hindurchzuführen. Achten Sie darauf, dass Sie nicht in andere Leitungen oder vorhandene Mechanismen bohren. Immer wenn ein Kabel durch ein Loch geführt wird, muss eine Gummi- oder Kunststofftülle eingesetzt werden, um das Kabel vor Beschädigungen zu schützen.

## Serielle Verkabelung

1- $\Omega$ -Doppelschwingspulen = 2- $\Omega$ -Last

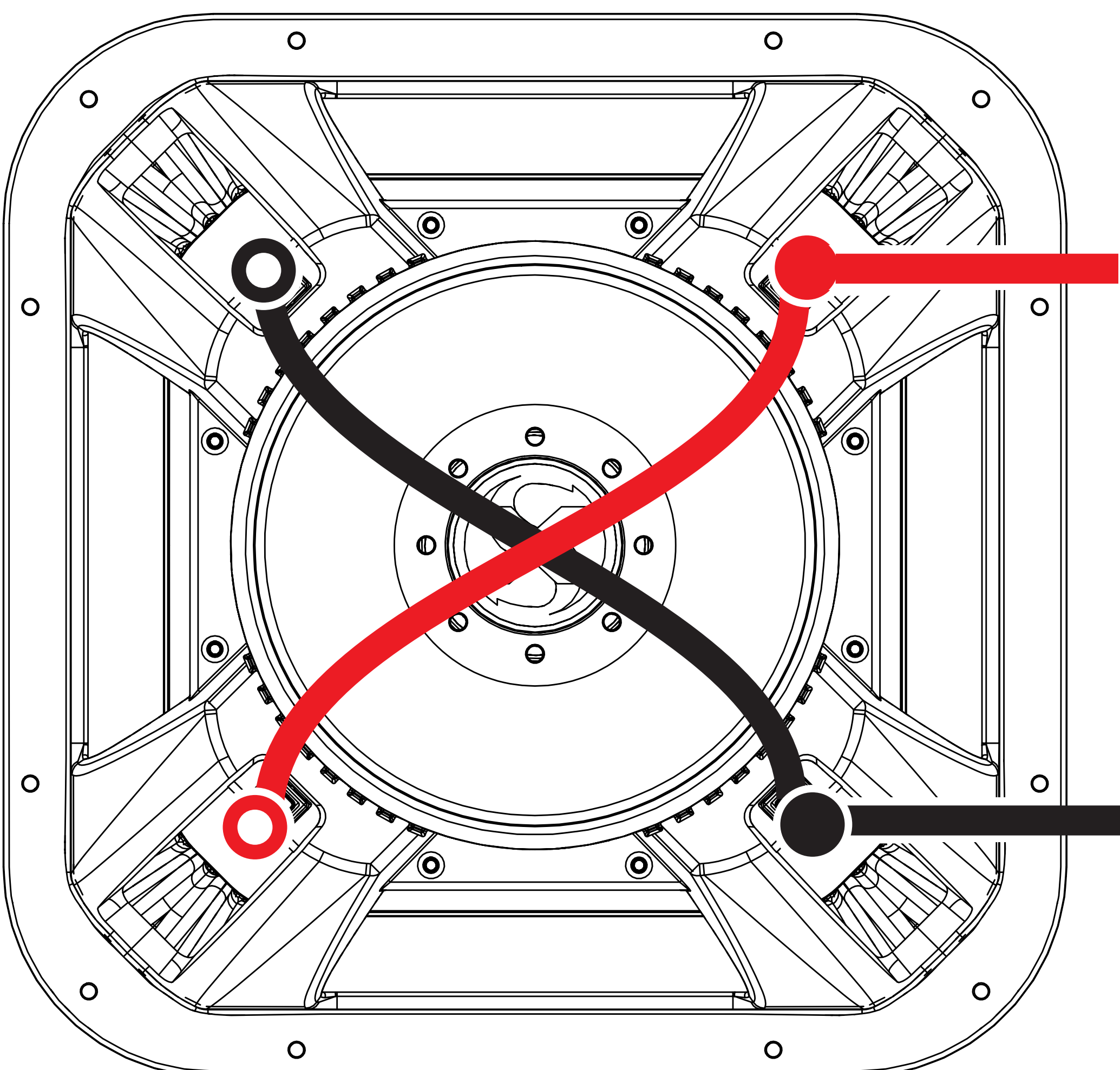
2- $\Omega$ -Doppelschwingspulen = 4- $\Omega$ -Last



## Parallele Verkabelung

1- $\Omega$ -Doppelschwingspulen = 0,5- $\Omega$ -Last

2- $\Omega$ -Doppelschwingspulen = 1- $\Omega$ -Last



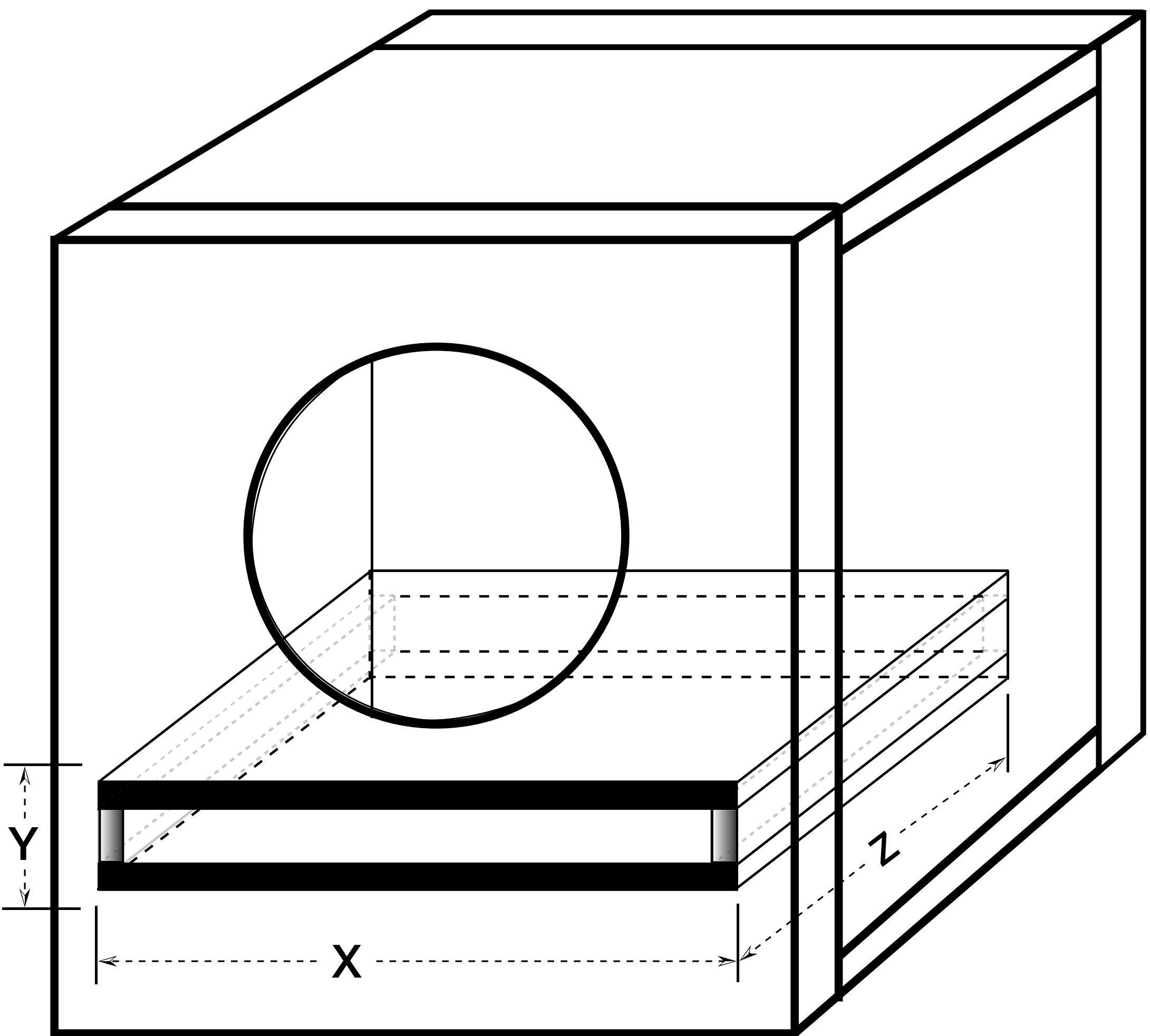
# Hinweise für die Box-Konstruktion

KICKER empfiehlt die Verwendung von M5- oder Nr.-10-Montageschrauben mit T-Muttern. Verwenden Sie eine mitteldichte Faserplatte (MDF) oder Birkensperrholz mit einer Stärke ab 1,9 cm (3/4 Zoll) und versiegeln Sie die Fugen mit Silikon. Verwenden Sie die „Vorlage“ im Versandkarton Ihres L7X Subwoofers, um das Montageloch zu markieren, und schneiden sie dann direkt auf der Linie. Diese Designs erfordern eine innere Halterung. Fügen Sie zwischen jedem der nicht unterstützten Panels dreieckige Halterungen hinzu.

Für die belüfteten Gehäuse muss die Verdrängung des Anschlusses berechnet und zum inneren Volumen des abschließenden Designs hinzugerechnet werden. Verwenden Sie die äußeren Abmessungen des Anschlusses und multiplizieren Sie „X x Y x Z“ und rechnen Sie das Ergebnis in Kubikfuß um.

Aufgrund der erforderlichen Länge dieser Anschlüsse sollten Sie unter Umständen den Anschluss entlang der Unterseite und der Rückwände falten. Für diese Designs sind runde Anschlüsse eher unpraktisch.

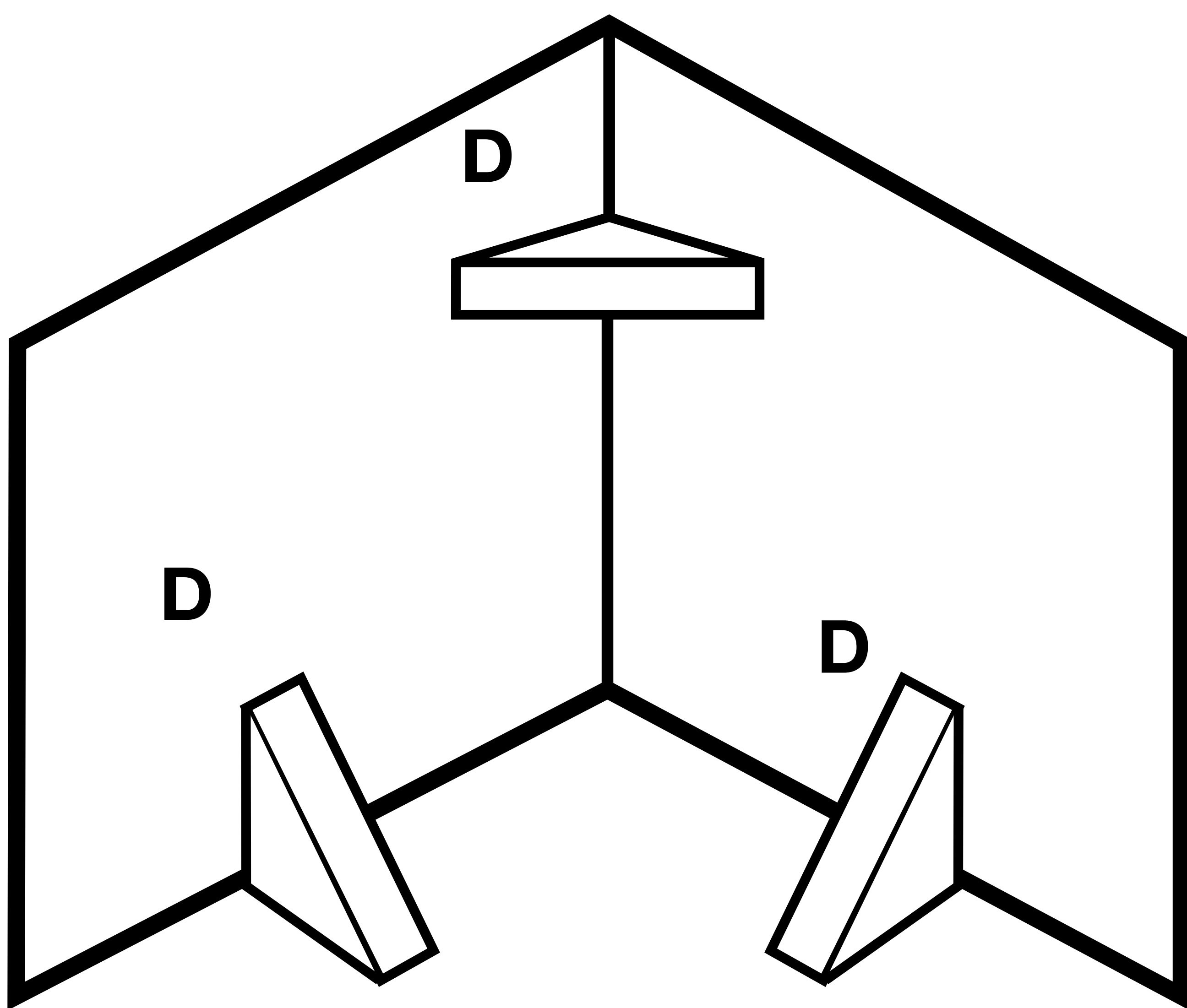




Installieren Sie eine Anschlussöffnung nicht gegen eine feste Oberfläche wie etwa eine innere Halterung, eine Rückwand oder eine Kofferraumwand, einen Sitz oder eine Innenwand Ihres Fahrzeugs. Die Anschlussöffnung muss frei zugänglich sein. Verwenden Sie die kleinste Abmessung des rechteckigen Anschlusses als den minimalen Abstand zwischen der Anschlussöffnung und einer festen Oberfläche, um eine freie Luftzirkulation zu gewährleisten.

Sie können Ihr Gehäuse lose mit Polyesterfasern auffüllen. Portierte Designs erfordern, dass das Ende des Anschlusses (in der Box) mit Akustikstoff, Maschendraht oder Streckmetall abgedeckt wird, damit der Polyesterfüllstoff nicht aus dem Anschluss austritt. Die Verwendung von Polyesterfüllstoff wird die Effizienz leicht beeinträchtigen, wird jedoch die Ausgabe niedriger Frequenzen vertiefen und erweitern, indem Ihrem Subwoofer suggeriert wird, er befände sich in einer größeren Box.

Fügen Sie zwischen jedem der nicht unterstützten Panels dreieckige Halterungen hinzu. Die Montageplatte sollte doppelt so hoch sein wie die 3/4-Zoll-Wand.



**L7X12, L7X15: D = 3 Zoll x 3 Zoll (8 cm x 8 cm)**

**L7X10: D = 2 Zoll x 2 Zoll (5 cm x 5 cm)**

Weitere Hinweise für die Box-Konstruktion erhalten Sie bei Ihrem autorisierten KICKER-Händler, oder klicken Sie auf die Registerkarte Support auf der KICKER-Homepage

**www.kicker.com**. Bitte senden Sie eine E-Mail an [support@KICKER.com](mailto:support@KICKER.com) oder rufen Sie den Technischen Support unter (405) 624-8583 an, wenn Sie spezifische oder ungeklärte Fragen haben.

# Belüftete Gehäuse

Die L7X-Subwoofer können gewaltige Leistungswerte verarbeiten. Belüftete Gehäuse erhöhen die Basseffizienz und bieten deutlich mehr Leistung von 30 bis 80 Hz. Die Leistung ist deutlich höher als die einer versiegelten Box. Vergessen Sie nicht, die Verschiebung des Subwoofers zum Innenvolumen des endgültigen Designs hinzuzufügen.

	<b>L7X10</b>	<b>L7X12</b>	<b>L7X15</b>
Empfohlene Belüftung Box Volumen ft <sup>3</sup> [L]	2; [56,6]	3; [84,9]	5; [141,6]
Anschlussöffnung, Zoll x Zoll [cm x cm]	2,5 x 12,25 [6 x 31]	3,5 x 13 [9 x 33]	4,25 x 16,5 [11 x 42]
Anschlusslänge, Zoll [cm]	38,5; [98]	36,5; [93]	34,75; [88]
Abstimmfrequenz (Hz)	31	31	30
Verschiebung des Subwoofers ft <sup>3</sup> [L]	0,18 [5,09]	0,19 [5,38]	0,21 [5,94]

# Re-Cone Kit

Der L7X wurde für den professionellen Einsatz entwickelt. Da beim Re-Cone-Verfahren kein Klebstoff verwendet wird, kann der Konus bei einem Ausfall im laufenden Betrieb innerhalb von Minuten ausgetauscht werden.

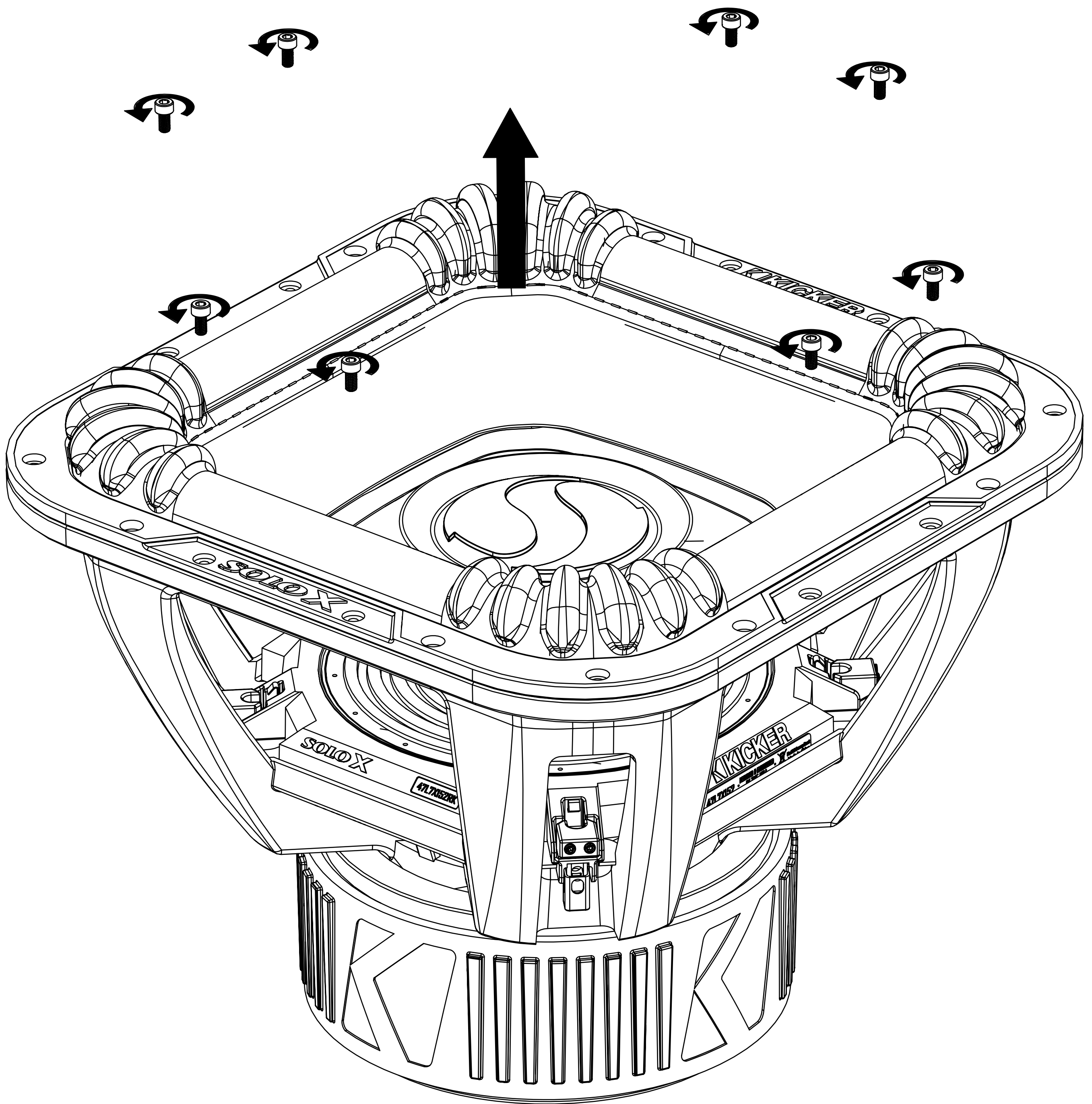
Die Re-Cone-Baugruppe besteht aus einem vormontierten Konus, einer Sicke und einer Schwingspule, die in den L7X-Motor und die Korbbaugruppe geschraubt werden. Sie kann auf der KICKER-Website [hier](#) erworben werden. Versuchen Sie **NICHT**, Recone-Kits mit einer anderen Impedanz zu verwenden, wenn Sie den Subwoofer wieder aufbauen. Verwenden Sie zum Beispiel nur das 1-Ohm-Recone-Kit in der 1-Ohm-Subwoofer-Struktur L7X.

Führen Sie die folgenden Schritte aus, um den L7X wieder zusammenzubauen.

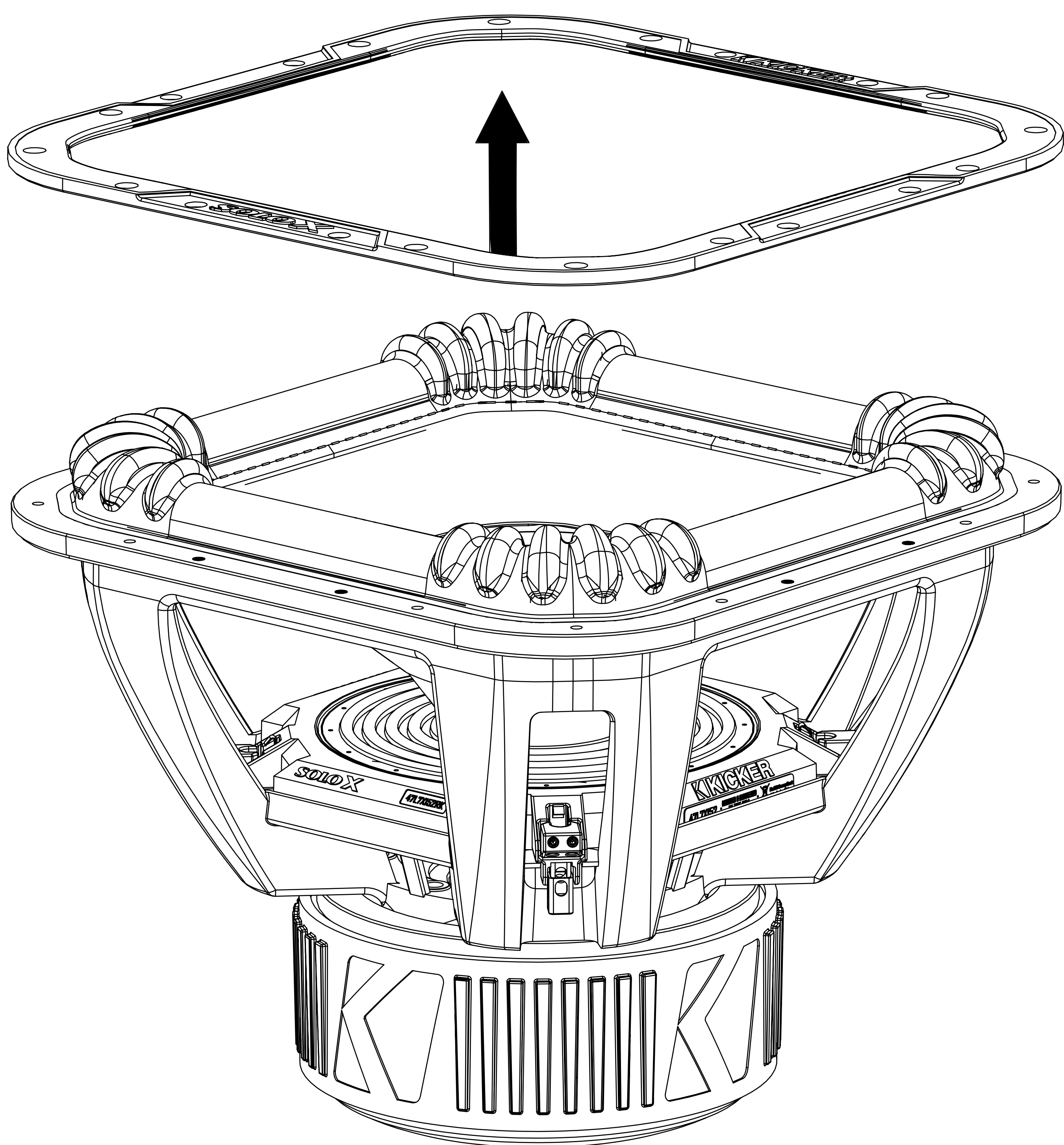
*Verwenden Sie für diesen Zusammenbau keine Elektrowerkzeuge! Der L7X-Magnet ist extrem stark und kann zu Verletzungen von Personen oder zur Beschädigung von Gegenständen führen. Seien Sie vorsichtig in der Nähe von Gegenständen, die magnetisches Material enthalten.*

Beginnen Sie damit, den Subwoofer aus seiner Halterung zu entfernen und alle Kabel abzuziehen.

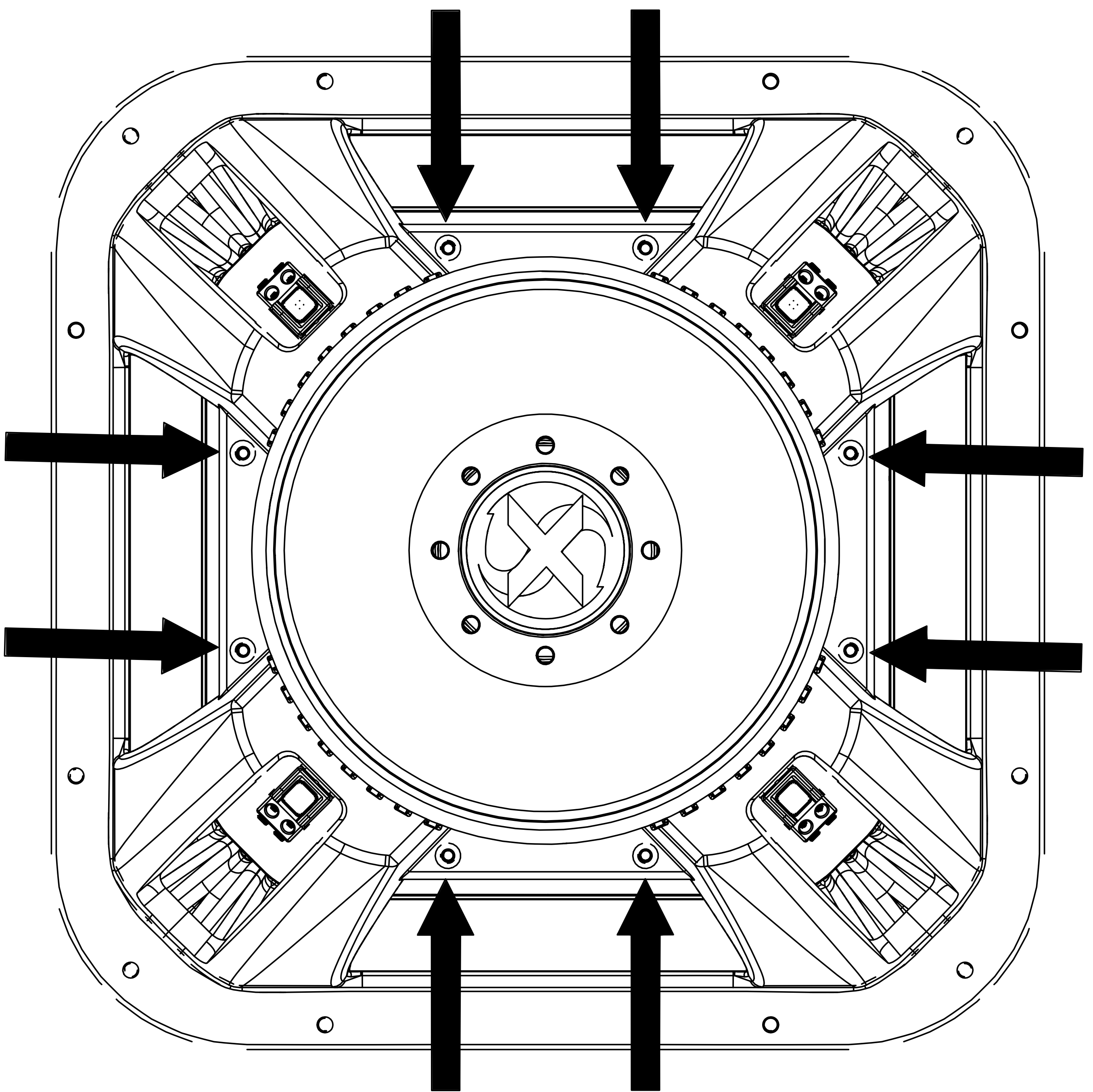
Entfernen Sie mit einem 4-mm-Inbusschlüssel die acht M5x0,8x10-mm-Schrauben, mit denen der Befestigungsflansch für die Sicke an der Korbbaugruppe befestigt ist.



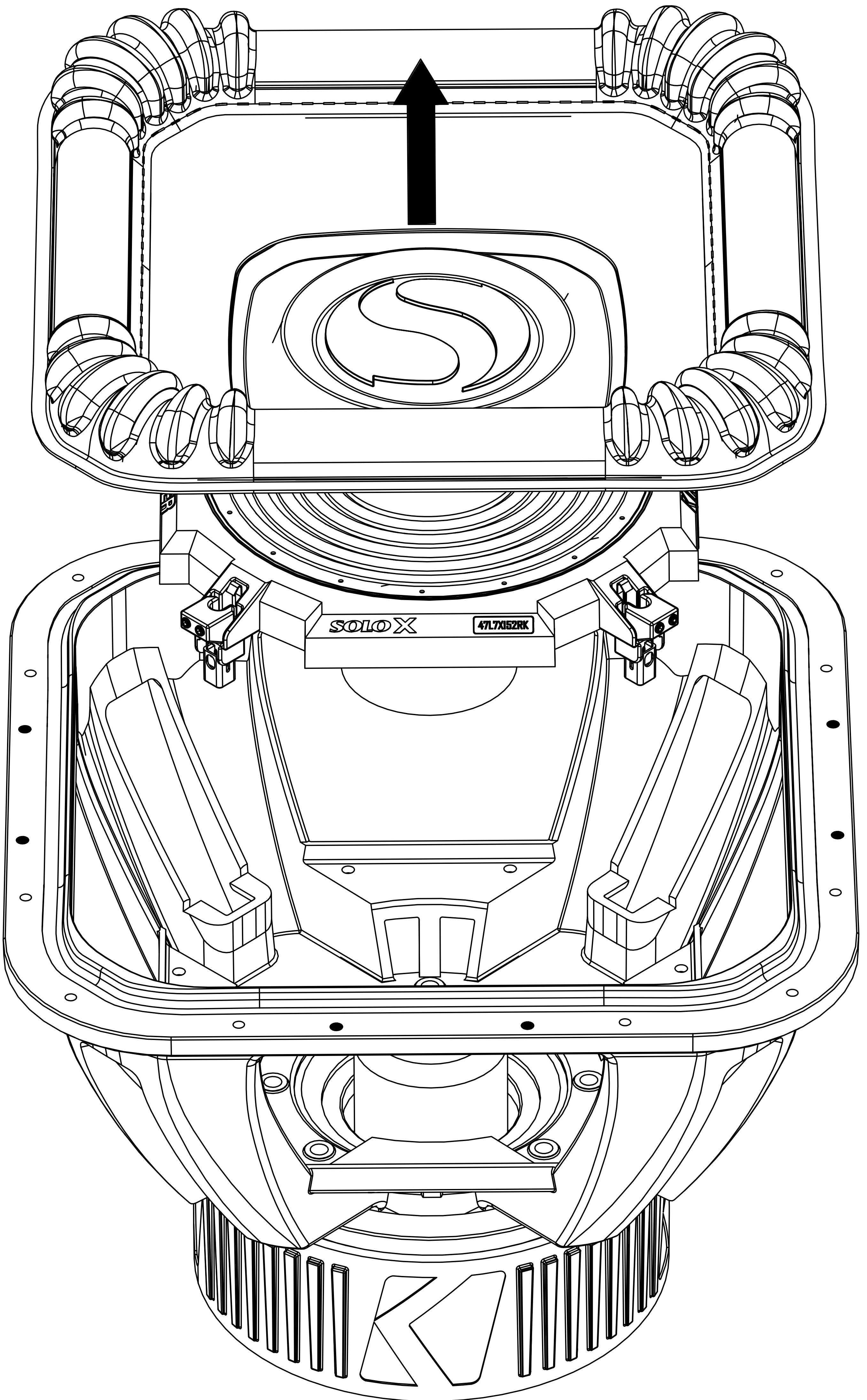
Entfernen Sie den Befestigungsflansch für die Sicke von der Korbbaugruppe.



Entfernen Sie von der Magnetseite (Unterseite) der Korbbaugruppe aus mit einem 4-mm-Inbusschlüssel die acht M5x0,8x16-mm-Schrauben, mit denen die Spinne an der Korbbaugruppe befestigt ist.



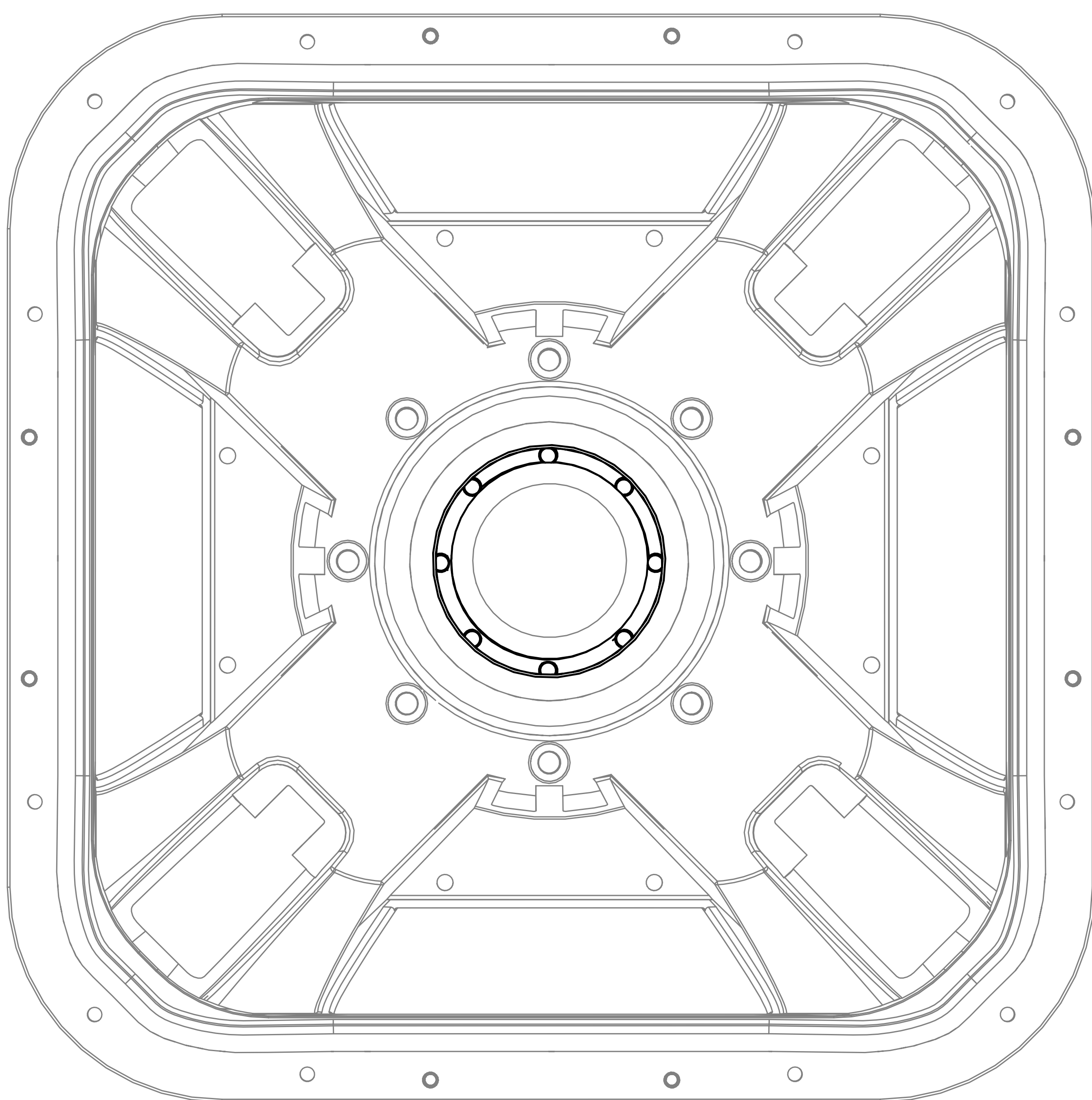
Ziehen Sie den Konus von der Konusseite (oben) der Korbbaugruppe aus der Korbbaugruppe heraus.





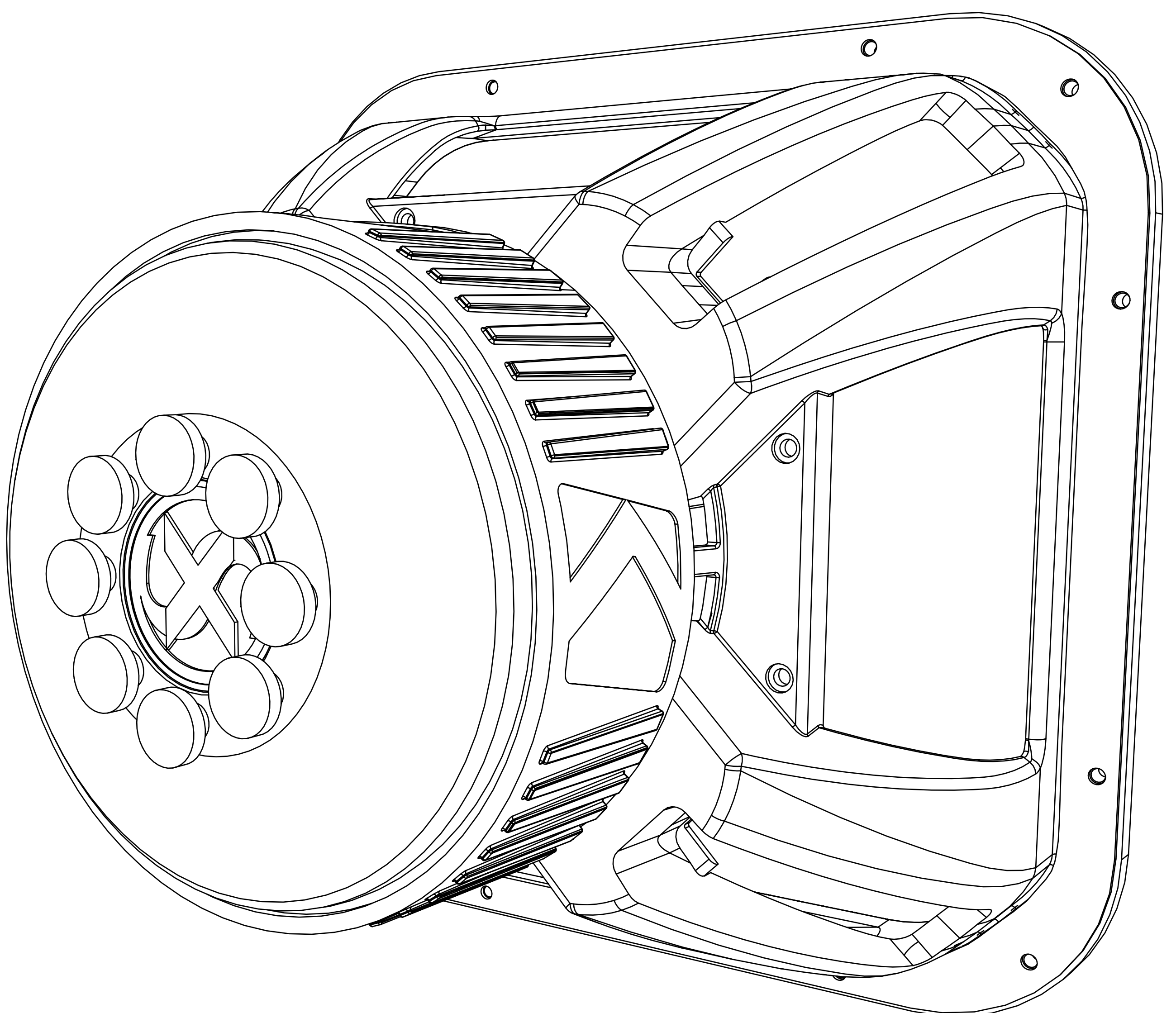
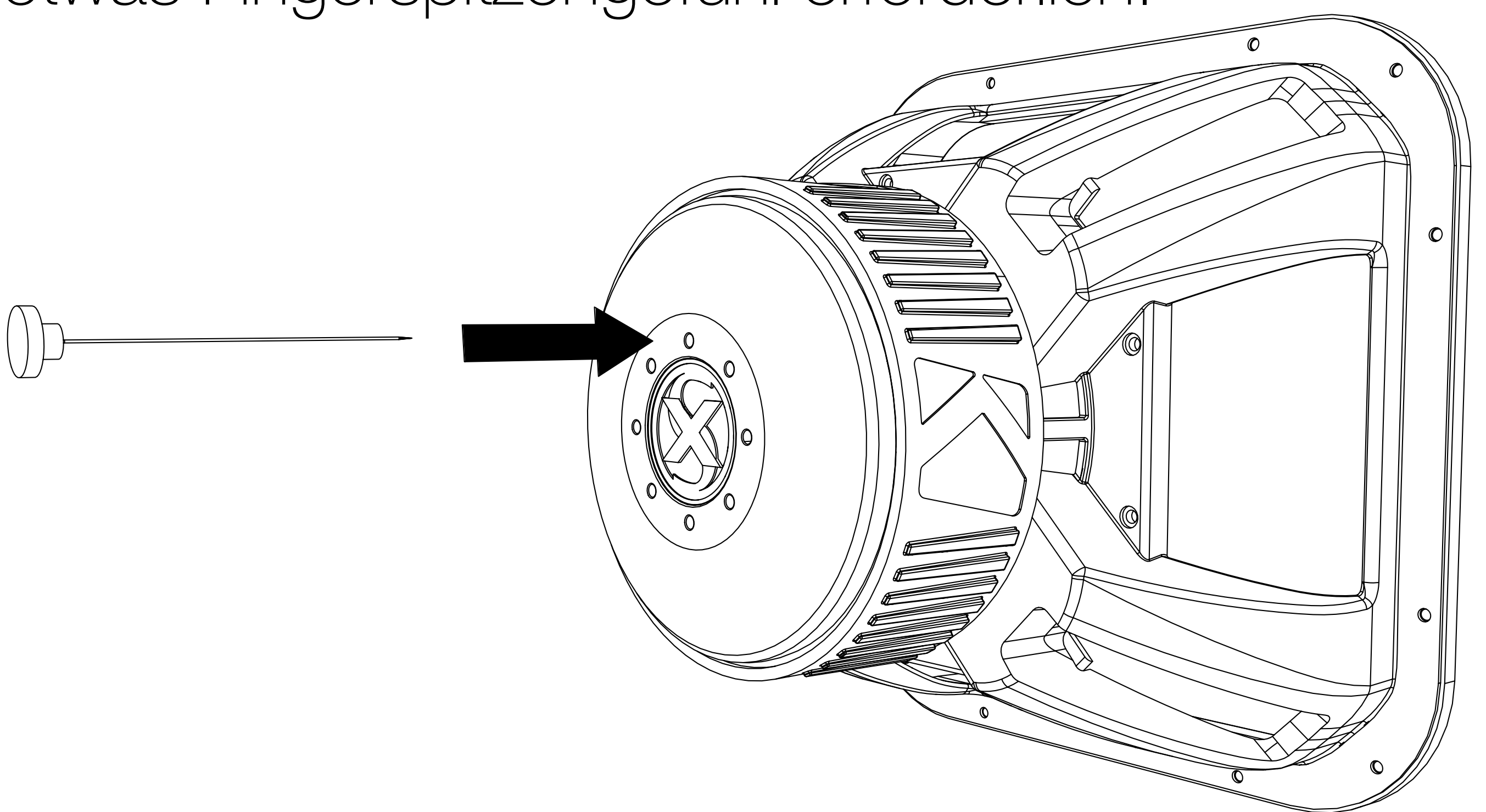
Reinigen Sie den Schwingspulenspalt und entfernen Sie alle Verschmutzungen.

*HINWEIS: Der L7X-Magnet ist extrem leistungsstark. Achten Sie darauf, dass keine Gegenstände, die magnetische Materialien enthalten, in den Schwingspulenspalt fallen. Diese Gegenstände können stecken bleiben und den Subwoofer unbrauchbar machen.*



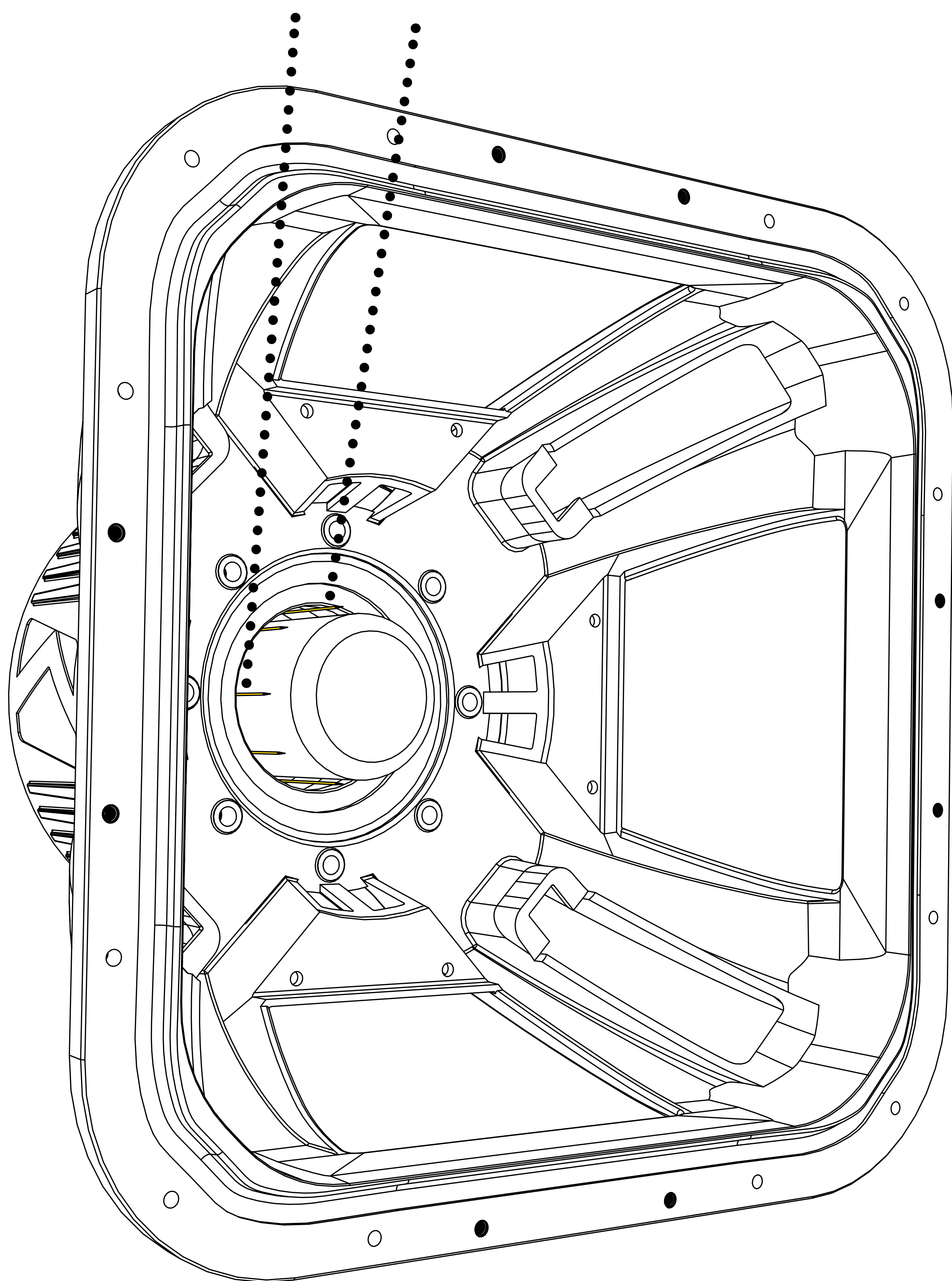
*WARNHINWEIS! Die Schwingspulen-Ausrichtungsstifte sind sehr scharf und können bei unsachgemäßer Handhabung zu schweren Verletzungen und sogar zum Tod führen. Seien Sie vorsichtig bei der Handhabung.*

Legen Sie den Korb auf die Seite und stecken Sie je einen Schwingspulen-Ausrichtungsstift in jedes der acht Löcher des Subwoofer-Antriebs. Der Kopf des Stifts muss den Antrieb berühren. Um den Kontakt zu erreichen, ist möglicherweise etwas Fingerspitzengefühl erforderlich.

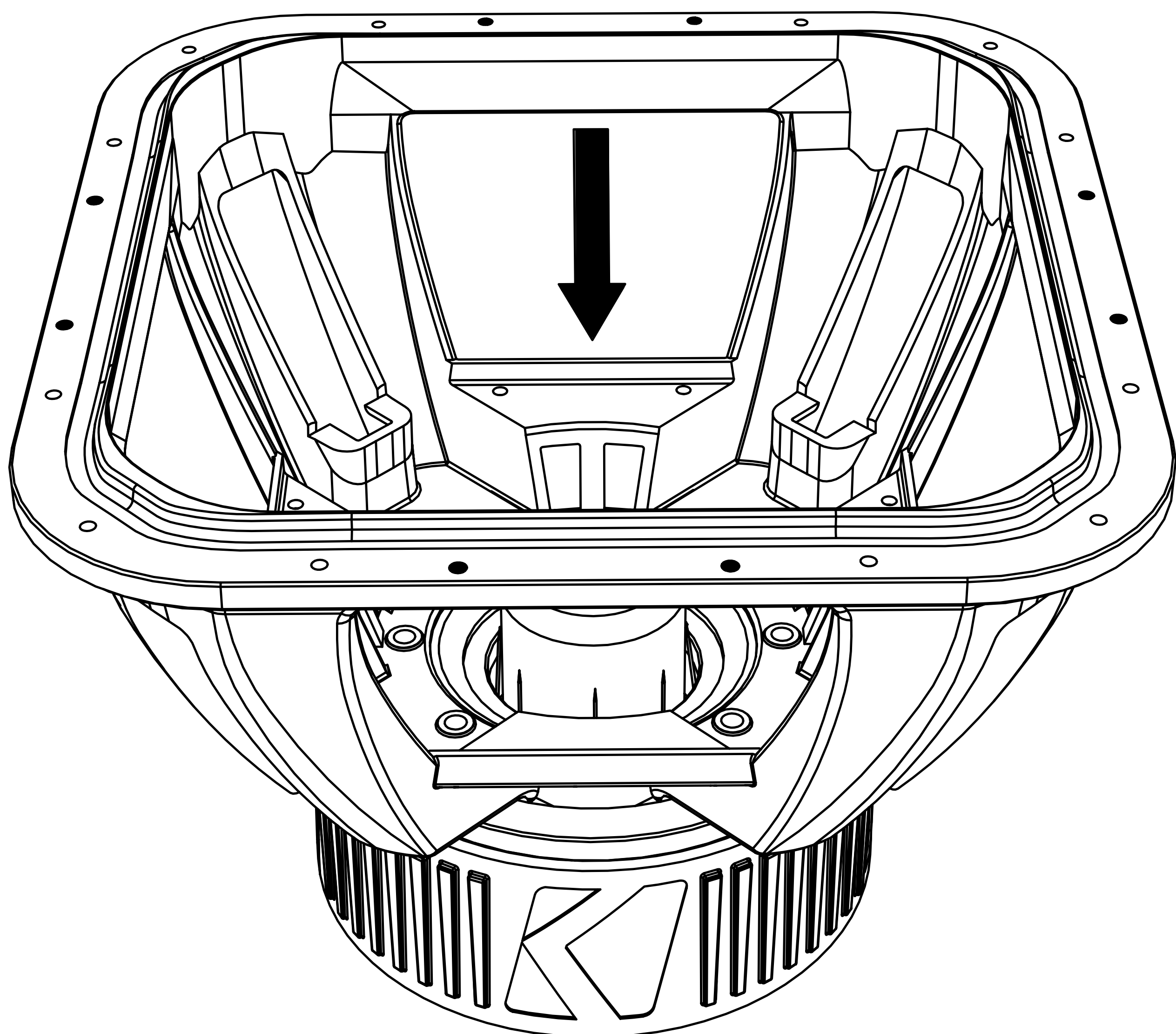
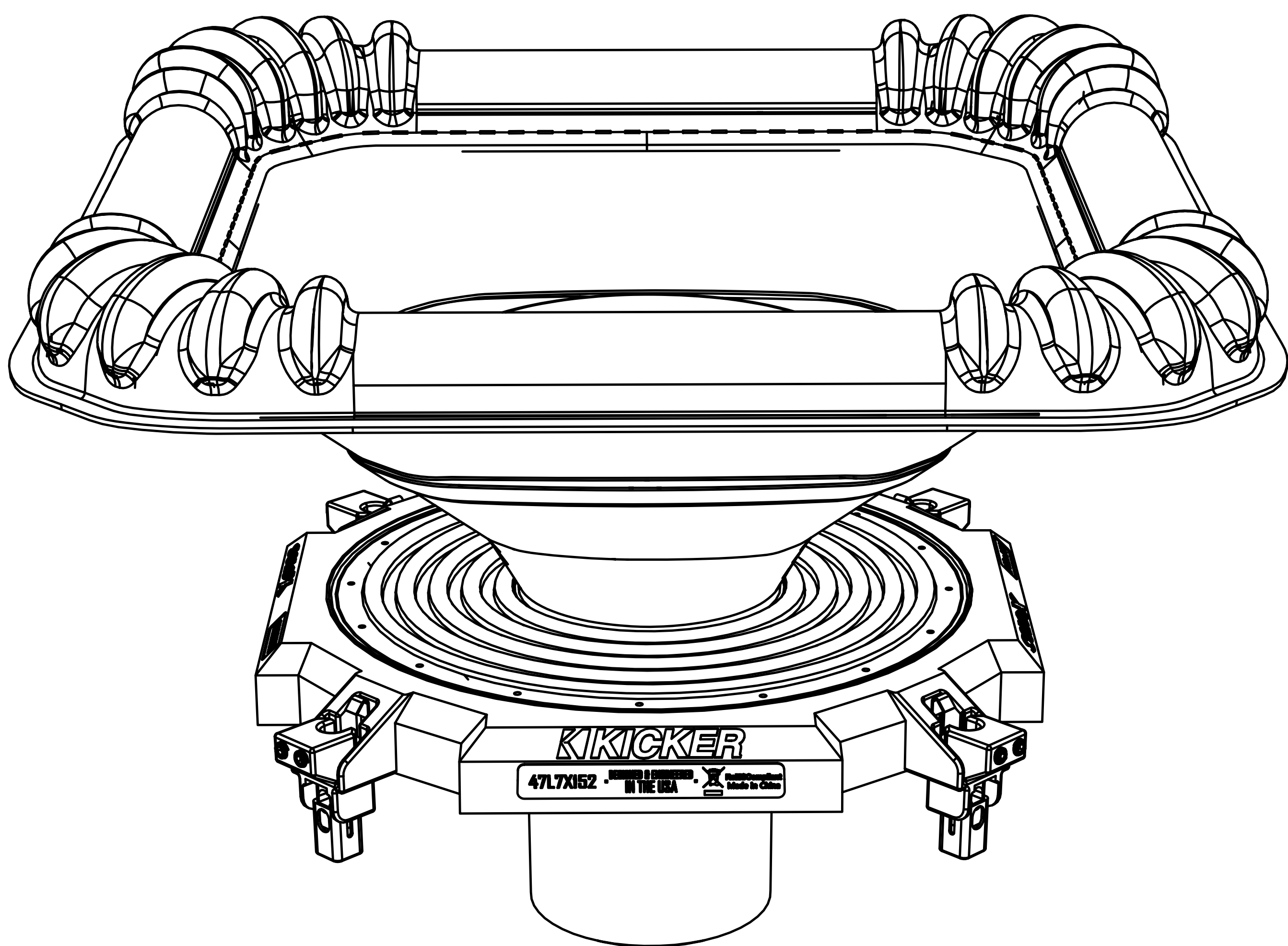


Nachdem Sie alle Schwingspulen-  
Ausrichtungsstifte eingesetzt haben, drücken  
Sie die Stifte in Richtung des Magnetpols, bis  
die Stifte magnetisch an dem Pol gehalten  
werden. Verteilen Sie die Stifte gleichmäßig um  
den Pol herum.

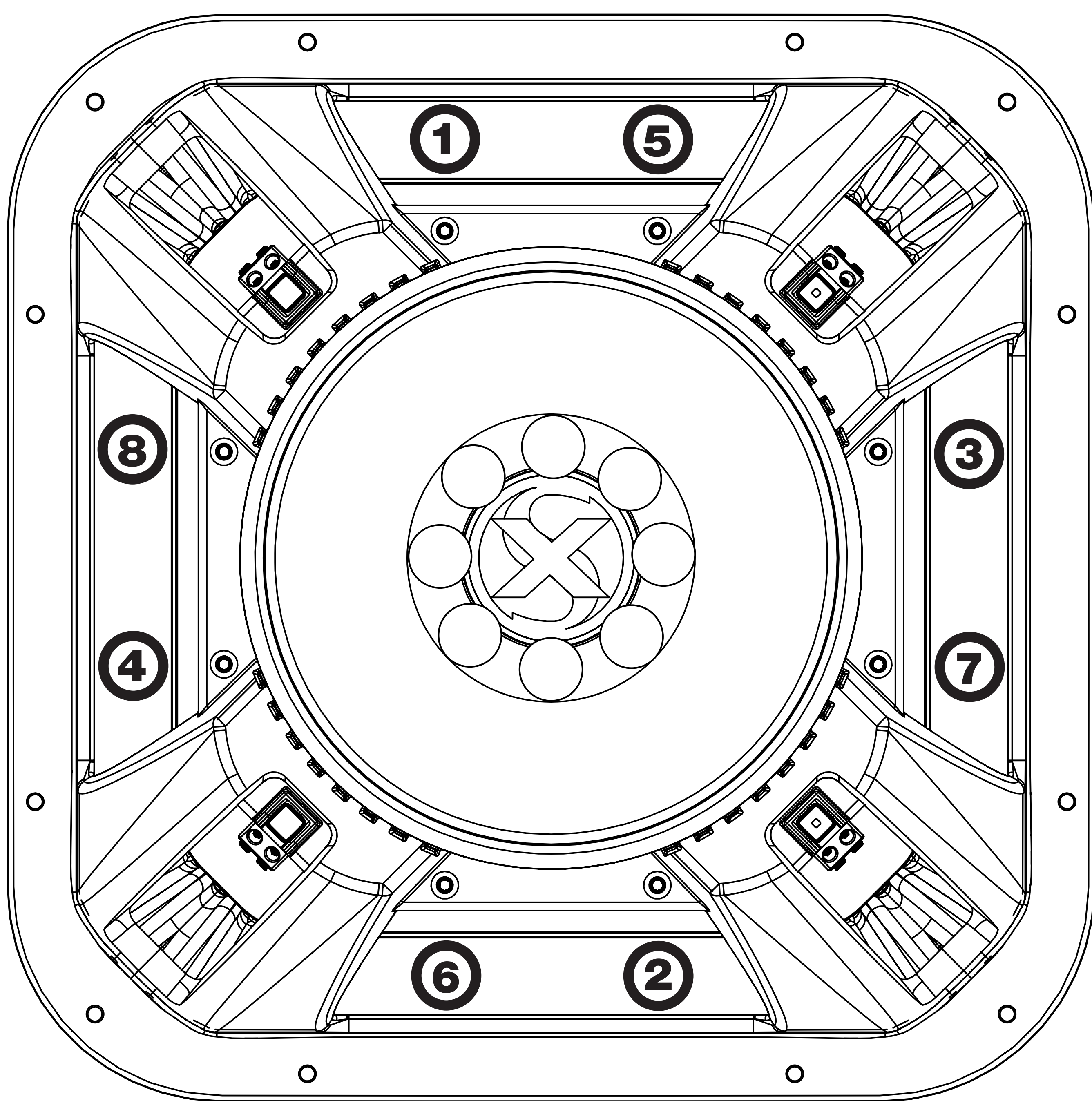
Drücken Sie die Spitzen aller acht Stifte in Richtung  
des Magnetpols in der Mitte, bis sie festsitzen.



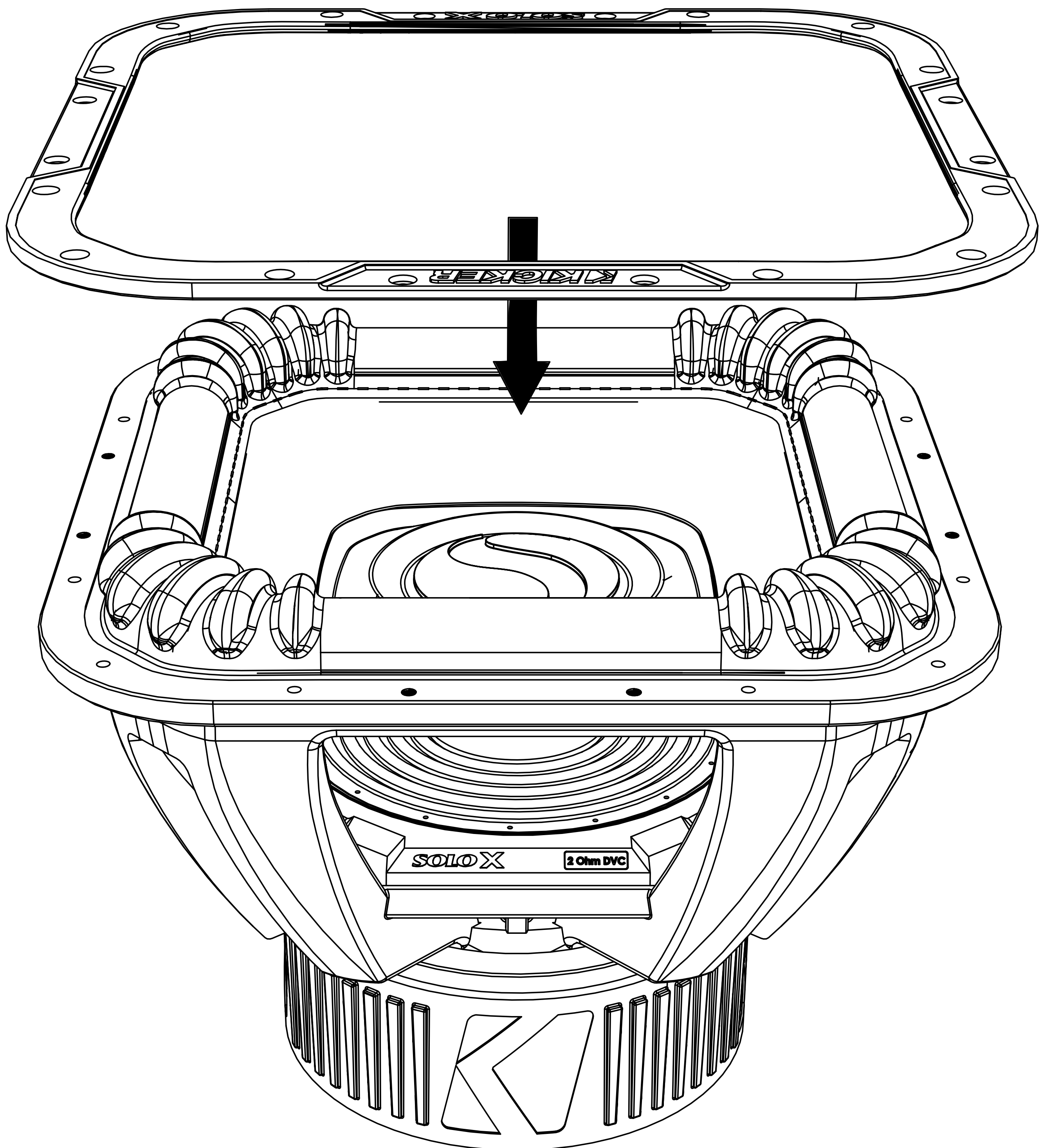
Legen Sie die Korbbaugruppe auf die Seite und setzen Sie den neuen Konus in die Korbbaugruppe ein. Achten Sie genau darauf, dass die Stifte innerhalb der Schwingspule liegen, damit die Schwingspule reibungslos über den Magnetpol gleiten kann.



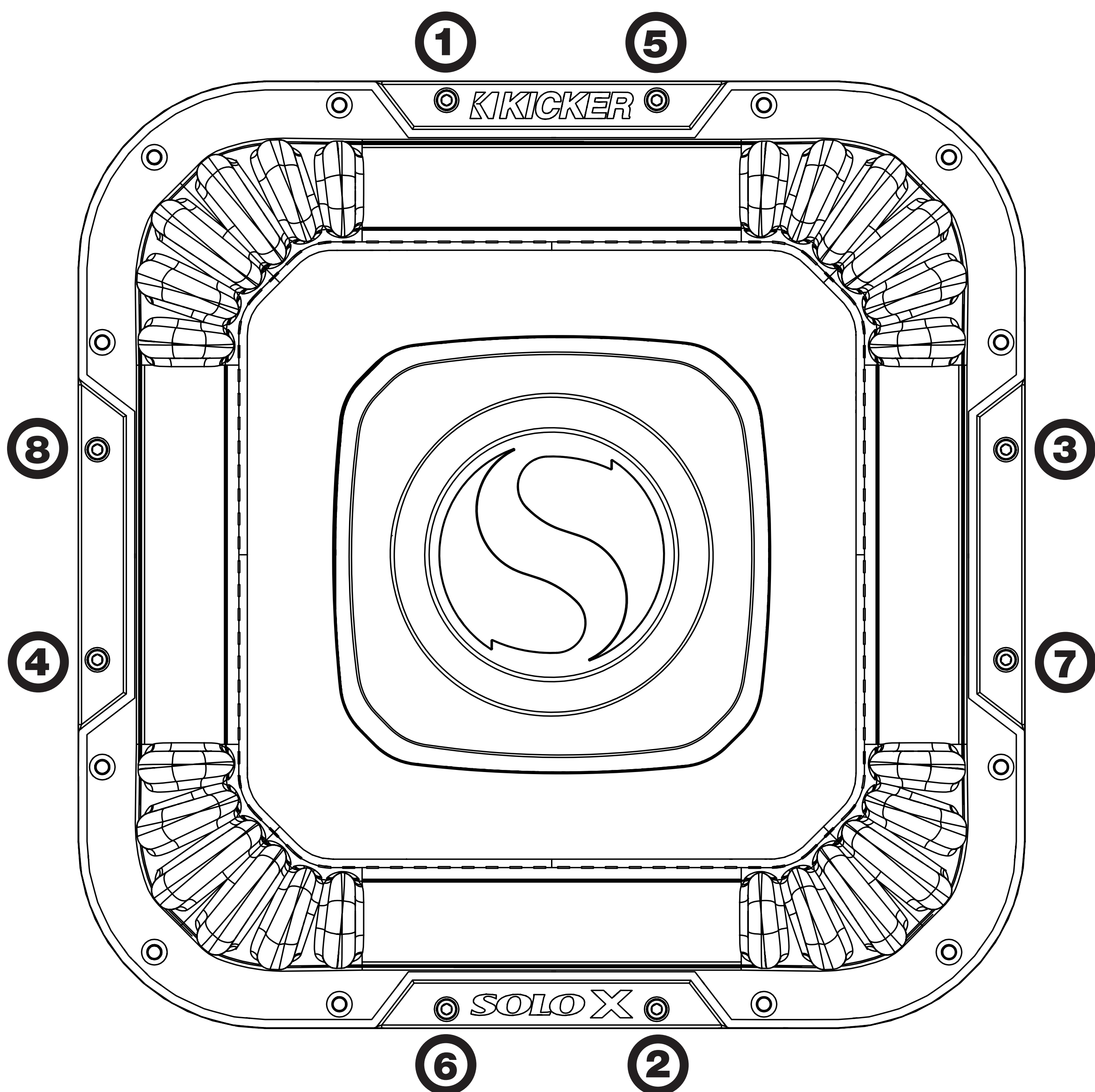
Befestigen Sie die Spinne mit den acht M5x0,8x16mm-Schrauben an der Korbbaugruppe. Ziehen Sie alle Schrauben erst locker an, bevor Sie sie festziehen. Ziehen Sie die Schrauben in der unten angegebenen Reihenfolge mit einem Drehmoment von 20 in-lbs (2,26 Newtonmeter) an.



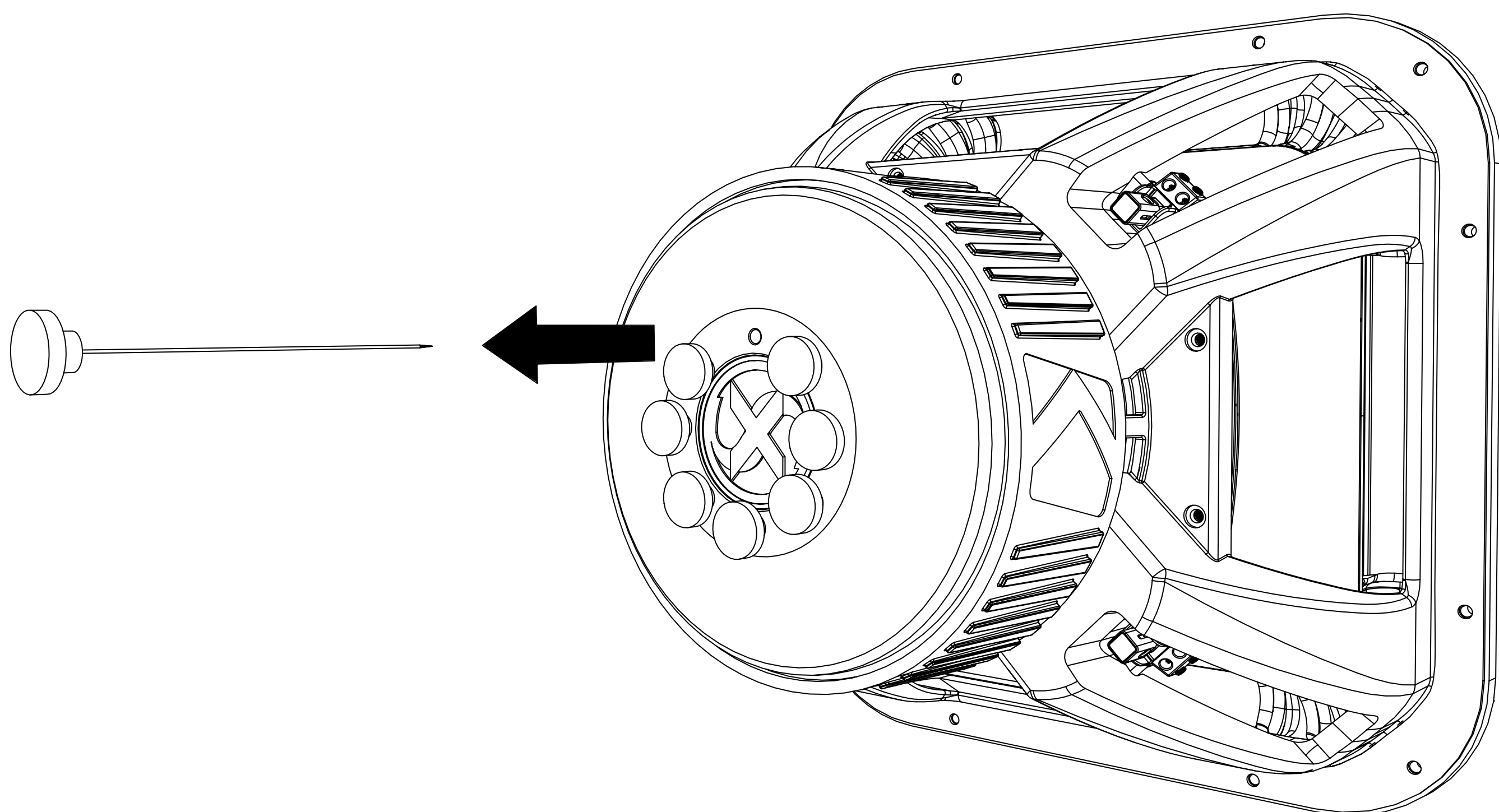
Drehen Sie den Lautsprecher in eine aufrechte Position und bringen Sie den Befestigungsflansch über der Sicke an.



Sichern Sie den Befestigungsflansch mit den acht M5x0,8x10mm-Schrauben am Korb. Ziehen Sie alle Schrauben erst locker an, bevor Sie sie festziehen. Ziehen Sie die Schrauben in der unten angegebenen Reihenfolge mit einem Drehmoment von 20 in-lbs (2,26 Newtonmeter) an.



Entfernen Sie die Schwingspulen-Ausrichtungsstifte aus dem Antrieb.



# Garantía | Garantie

Contact your International KICKER dealer or distributor concerning specific procedures for your country's warranty policies.

Our goods come with guarantees that cannot be excluded under the **Australian Consumer Law**. You are entitled to a replacement or refund for a major failure and for compensation for any other reasonably foreseeable loss or damage. You are also entitled to have the goods repaired or replaced if the goods fail to be of acceptable quality and the failure does not amount to a major failure.

## **GARANTÍA INTERNACIONAL**      **Versión Español**

Comuníquese con su concesionario o distribuidor KICKER internacional para obtener información sobre procedimientos específicos relacionados con las normas de garantía de su país.

La frase “combustible para vivir la vida Livin’ Loud™ a todo volumen” se refiere al entusiasmo por la vida que la marca KICKER de estéreos de automóvil representa y a la recomendación a nuestros clientes de que vivan lo mejor posible (“a todo volumen”) en todo sentido. La línea de altavoces y amplificadores KICKER es la mejor del mercado de audio de automóviles y por lo tanto representa el “combustible” para vivir a todo volumen en el área de “estéreos de automóvil” de la vida de nuestros clientes. Recomendamos a todos nuestros clientes que obedezcan todas las reglas y reglamentos locales sobre ruido en cuanto a los niveles legales y apropiados de audición fuera del vehículo.

## **INTERNATIONALE GARANTIE**      **Deutsche Version**

Nehmen Sie mit Ihren internationalen KICKER-Fachhändler oder Vertrieb Kontakt auf, um Details über die Garantieleistungen in Ihrem Land zu erfahren.

Der Slogan “Treibstoff für Livin’ Loud” bezieht sich auf die mit den KICKER-Autostereosystemen assoziierte Lebensfreude und die Tatsache, dass wir unsere Kunden ermutigen, in allen Aspekten ihres Lebens nach dem Besten (“Livin’ Loud”) zu streben. Die Lautsprecher und Verstärker von KICKER sind auf dem Markt für Auto-Soundsysteme führend und stellen somit den “Treibstoff” für das Autostereoerlebnis unserer Kunden dar. Wir empfehlen allen unseren Kunden, sich bezüglich der zugelassenen und passenden Lautstärkepegel außerhalb des Autos an die örtlichen Lärmvorschriften zu halten.

## **GARANTIE INTERNATIONALE**      **Version Française**

Pour connaître les procédures propres à la politique de garantie de votre pays, contactez votre revendeur ou distributeur International KICKER.

L’expression “ carburant pour vivre plein pot “ fait référence au dynamisme de la marque KICKER d’équipements audio pour véhicules et a pour but d’encourager nos clients à faire le maximum (“ vivre plein pot “) dans tous les aspects de leur vie. Les haut-parleurs et amplificateurs KICKER sont les meilleurs dans le domaine des équipements audio et représentent donc pour nos client le “ carburant pour vivre plein pot “ dans l’aspect “ installation audio de véhicule “ de leur vie. Nous encourageons tous nos clients à respecter toutes les lois et réglementations locales relatives aux niveaux sonores acceptables à l’extérieur des véhicules.

P.O. Box 459

Stillwater, Oklahoma 74076

USA

(405) 624-8510

 **stillwaterdesigns**